

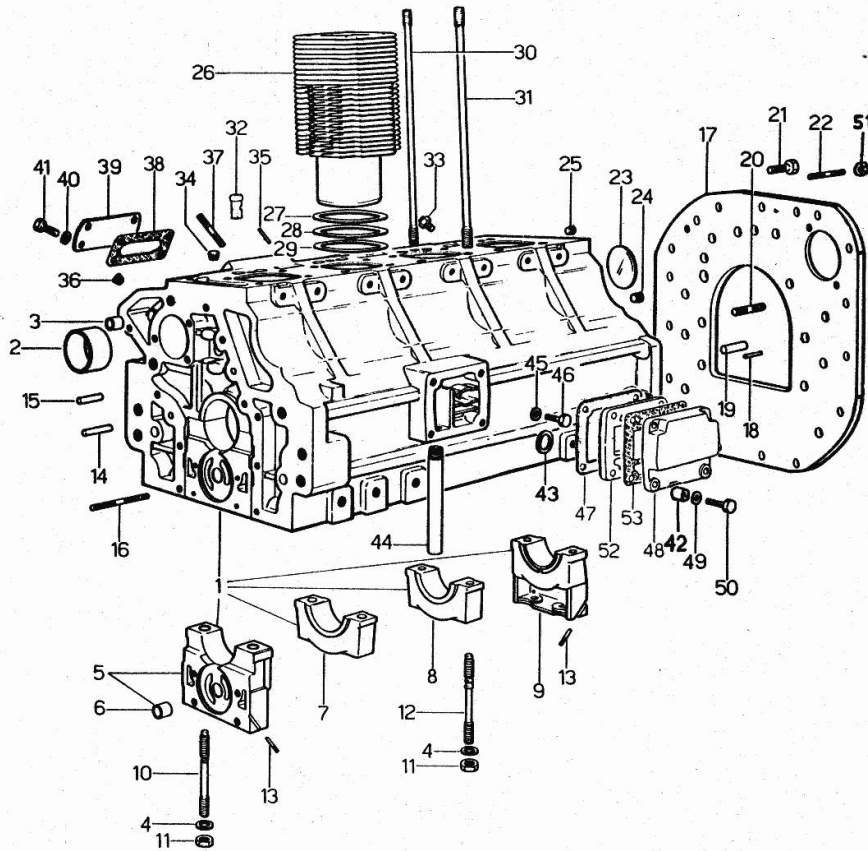
## Section: ENGINE

## CRANKCASE

Fig.	P/n	QTY	Name
------	-----	-----	------

## Notes:

[R 784]



0	0.044.0050.6	1	gasket set
1	0.044.1110.4/50	1	crankcase
2	0.037.1155.0	1	bushing
3	2.1559.111.0	2	bushing 12x14x10
4	2.1599.144.0	10	shoulder
5	0.004.8774.3	1	support
6	2.1559.090.0/10	1	bushing 14.24x19.06x27
7	0.037.1114.0	1	support
8	0.029.1113.0	2	support
9	0.029.1116.0	1	support
10	0.021.1157.0	4	stud bolt
11	2.1019.026.1	10	special nut m 12 p.1.5
12	0.029.1117.0	6	stud bolt
13	0.029.1154.0	4	gasket
14	2.1699.114.0	1	pin 8x55
15	2.1653.711.0	1	pin
16	2.0432.025.1	2	stud bolt m 8 p 1.25-1x100
17	0.045.1152.0/10	1	plate
18	2.1653.708.0	2	pin 8x18
19	2.1652.911.0	2	cylindrical plug 12x25
20	2.0432.153.2	2	stud bolt
21	2.0112.513.2	11	screw m 14 p.2 x 35
22	2.0432.255.2	2	stud bolt m 12 p.1.75-1.25x25
23	2.3170.022.1	1	expansion plug 60
24	2.3130.003.1	2	plug 3/8" gas
25	2.3130.002.1	1	plug 1/4" gas
26	0.044.1120.0/10	4	engine cylinder
27	2.1589.052.0	8	shoulder ring 115x123x0.2
28	2.1589.051.0	4	shoulder ring 116x123x0.1
29	2.1569.076.0	4	gasket 116x123x0.5
30	0.041.1123.0	4	stud bolt m 10
31	0.039.1122.0	16	stud bolt m 12 p.1.5x310
32	0.044.1156.0	8	special bushing
33	0.041.1151.3/10	4	sprayer nozzle
34	2.3130.001.1	4	plug 1/8" gas
35	2.1653.507.0	2	pin
36	2.3139.001.0	5	plug m 12 p.1.75
37	2.0432.003.1	4	stud bolt m 8 p.1.25 / p.1 x 20
38	0.044.1151.0	1	gasket
39	0.044.1150.0	1	cover
40	2.1310.004.2	4	flat washer 8.4x17

Section: ENGINE  
**CRANKCASE**

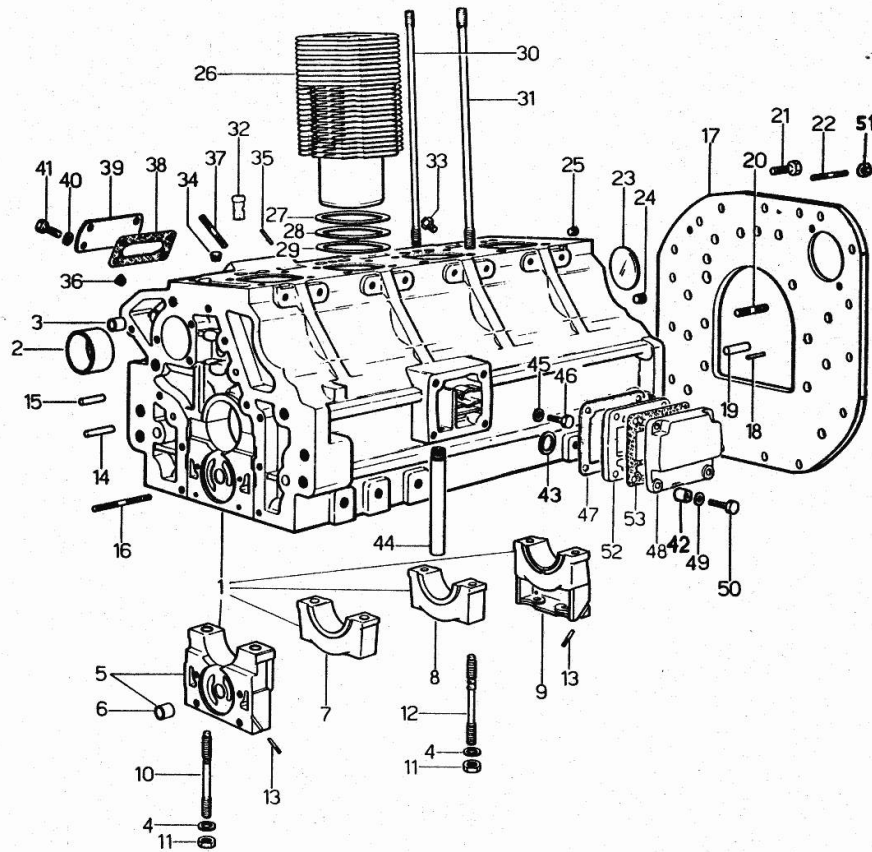


Fig.	P/n	QTY	Name
41	2.0112.204.2	4	screw m 8 p.1.25x14
42	2.1579.358.0	2	spacer 8.5x20x11
43	0.045.1150.0	1	oil seal
44	0.044.1152.0	1	tube
45	2.1474.009.2	1	spring washer 8
46	2.0312.206.2	1	screw m 8 p 1.25 x 20
47	0.044.1153.0/10	1	gasket
48	0.044.1163.0	1	cover
49	2.1474.009.2	4	spring washer 8
50	2.0112.217.2	4	screw m 8 p.1.25 x 45
51	2.1011.207.2	2	nut m 12 p.1.5
52	0.044.1160.0	1	container
53	0.044.1161.0	1	gasket

## Section: ENGINE

## TIMING CASE

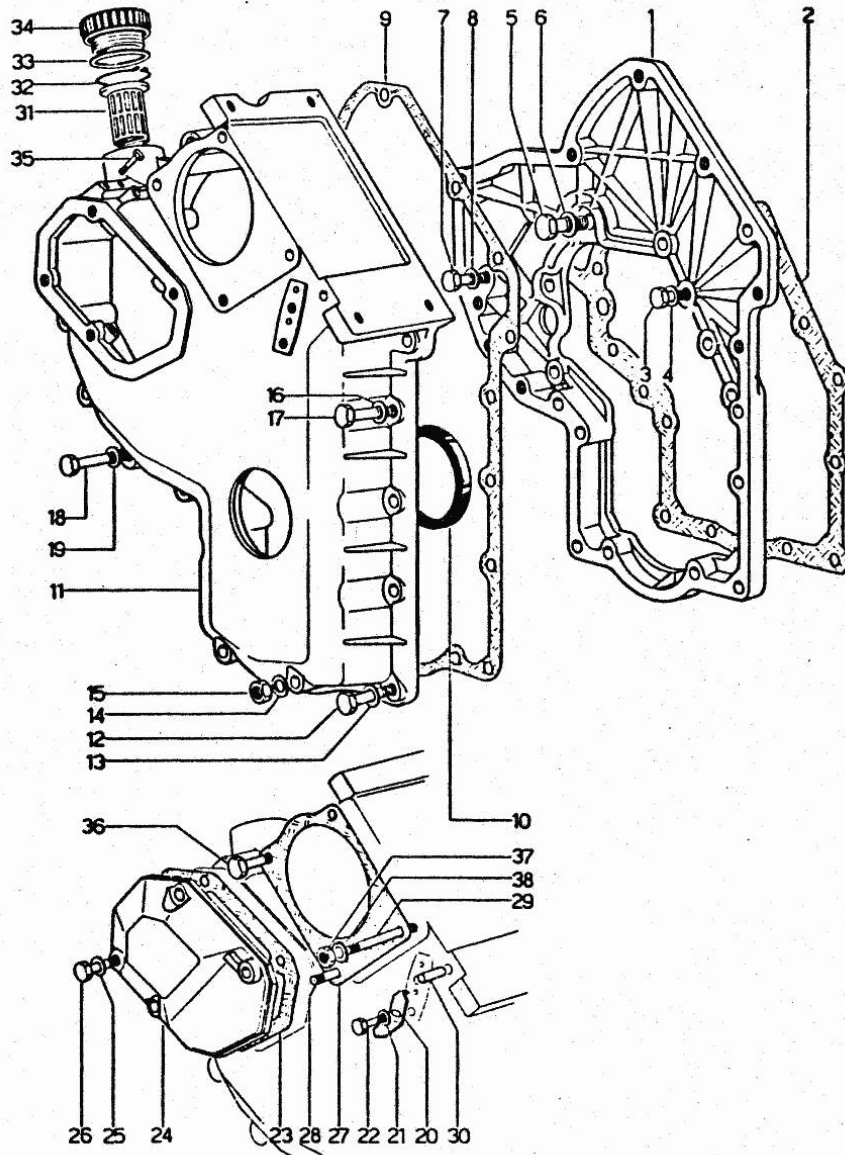


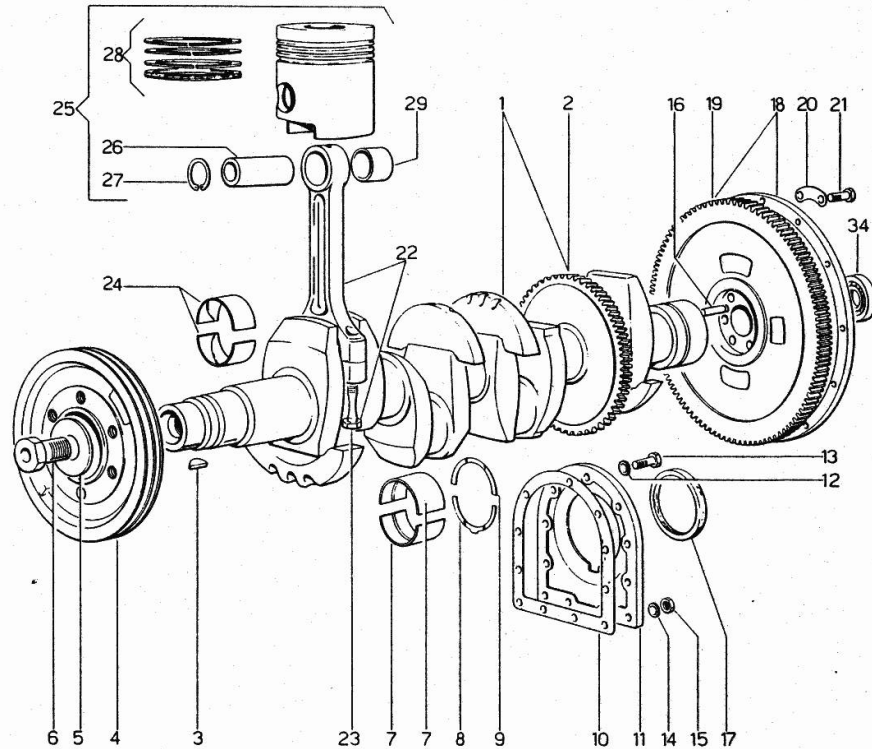
Fig.	P/n	QTY	Name
------	-----	-----	------

Notes:  
[R 784]

1	0.048.1131.0	1	flange
2	0.041.1153.0	1	gasket
3	2.0112.209.2	5	screw m 8 p 1.25 x 25
4	2.1474.009.2	5	spring washer 8
5	2.0119.034.1	1	screw m 14 p.2x20
6	2.1560.010.0	1	gasket 14.2 x 20
7	2.0112.207.2	1	screw m 8 p 1.25 x 20
8	2.1474.009.2	1	spring washer 8
9	0.041.1152.0	1	gasket
10	2.1519.010.0	1	special oil seal 58x80x10
11	0.048.1132.0/10	1	guard
12	2.0112.217.2	5	screw m 8 p.1.25 x 45
13	2.1474.009.2	5	spring washer 8
14	2.1560.003.0	2	copper gasket 8.2 x 12
15	2.1011.405.2	2	nut m 8 p.1
16	2.1474.009.2	2	spring washer 8
17	2.0112.211.2	2	screw m 8 p.1.25 x 30
18	2.0112.222.2	4	screw m 8 p.1.25x65
19	2.1474.009.2	4	spring washer 8
20	0.027.1150.0/10	1	index
21	2.1310.004.2	1	flat washer 8.4x17
22	2.0112.204.2	1	screw m 8 p.1.25x14
23	0.048.1152.0	1	gasket
24	0.048.1150.0/20	1	cover
25	2.1560.005.0	4	copper gasket 10.2 x 14
26	2.0112.313.2	4	screw m 10 p.1.5 x 35
27	0.041.1154.0	1	gasket
28	2.0432.015.2	1	stud bolt m 8 p.1.25-1x50
29	2.0432.028.1	2	stud bolt m 8 p.1.25-1x130
30	2.1653.717.0	1	pin 8 x 40
31	0.041.1159.0/10	1	filter
32	2.1411.012.1	1	circlip 30
33	2.1569.072.0	1	gasket 32 x 39.5 x 2
34	0.041.1135.0	1	plug
35	2.0119.081.2	2	screw
36	2.0112.235.1	1	screw m 8 p.1.25 x 130
37	2.1011.505.2	4	nut m 8 p.1
38	2.1310.004.2	4	flat washer 8.4x17

Section: ENGINE  
CRANKSHAFT

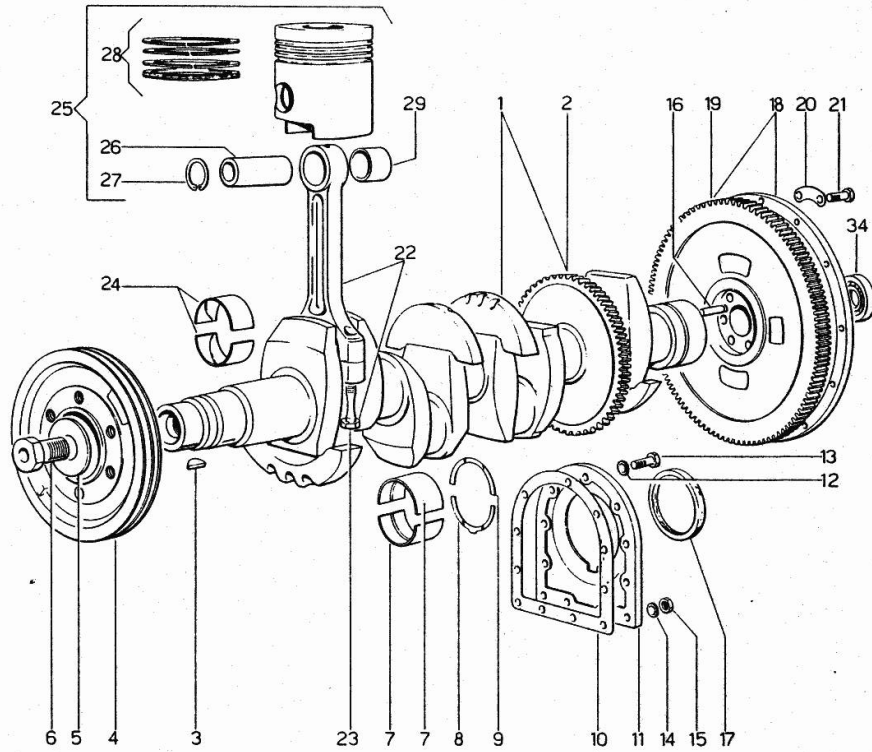
Fig.	P/n	QTY	Name
------	-----	-----	------

Notes:  
[R 784]

1	0.044.1267.4/20	1	crankshaft
1	2.1630.611.0	1	roll pin 6 x 24
2	0.044.1265.0/10	1	gear
3	2.1799.002.0	1	stick 10x13
4	0.054.1250.0	1	pulley
5	0.001.6020.0	1	shoulder
6	2.0129.032.2	1	screw m 24 p.2x45
7	0.029.0066.0		main half bushing - mm 1.00
7	0.029.1215.0/10	10	main half bushing
7	0.029.1215.7		main half bushing - mm 0.25
7	0.029.1215.8		main half bushing - mm 0.50
7	0.029.1215.9		main half bushing - mm 0.75
8	0.001.4547.0		shoulder ring + mm 0.05
8	0.001.4548.0		shoulder ring + mm 0.10
8	0.001.4549.0		shoulder ring + mm 0.15
8	0.042.1219.0	2	shoulder ring STANDARD
9	0.001.4544.0		shoulder ring + mm 0.05
9	0.001.4545.0		shoulder ring + mm 0.10
9	0.001.4546.0		shoulder ring + mm 0.15
9	0.042.1218.0	2	shoulder ring STANDARD
10	0.029.1250.0	1	gasket
11	0.029.1240.0	1	flange
12	2.1474.010.2	7	washer 10
13	2.0112.309.2	7	screw m 10 p.1.5 x 25
14	2.1560.006.0	2	gasket 10.2 x 16
15	2.1011.421.2	2	nut m 10 p.1.25
16	2.1652.915.0	2	cylindrical plug 12x35
17	2.1519.009.0	1	special oil seal
18	0.039.1241.3	1	flywheel 11"
18	0.042.1251.3	1	flywheel 12"
19	0.036.1242.0	1	crown wheel Z = 126, mm 15
20	2.1379.006.0	3	lock-tab 15x15x36,5
21	2.0122.515.2	6	screw m 14 p.1.5x40
22	0.052.1220.3	4	engine connecting rod
23	0.039.1250.0	8	screw m 14 p.1.5x63
24	0.039.0068.0		con.rod half bushing - mm 1.016
24	0.039.1225.0	8	con.rod half bushing
24	0.039.1225.7		con.rod half bushing -mm 0.254
24	0.039.1225.8		con.rod half bushing -mm 0.508
24	0.039.1225.9		con.rod half bushing -mm 0.762
25	0.046.0060.6	4	complete piston

Section: ENGINE  
**CRANKSHAFT**

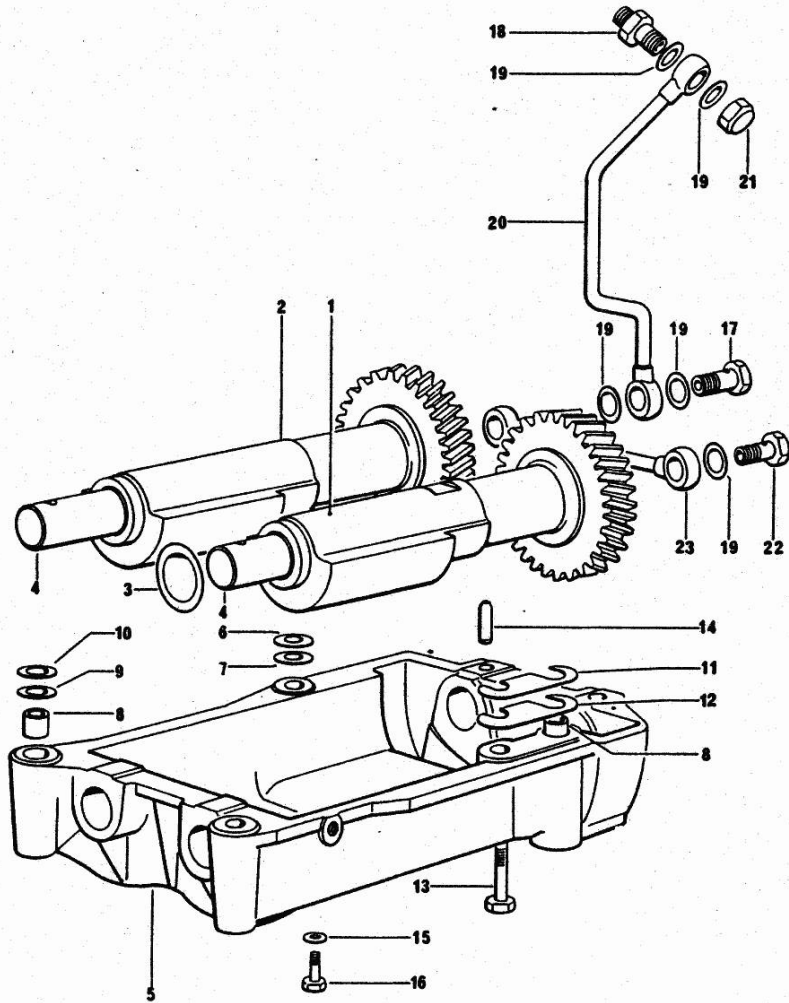
Fig.	P/n	QTY	Name
25	0.046.0061.6		complete piston + mm 0.5
25	0.046.0062.6		complete piston + mm 1.0
26	0.038.1236.0	4	piston pin
27	2.1411.014.1	8	circlip 35
28	0.038.0052.6	4	piston ring set
28	0.038.0053.6		piston ring set + mm 0.5
28	0.038.0054.6		piston ring set + mm 1.0
29	0.002.4168.0	4	bearing
34	2.2041.008.0	1	ball bearing 20x47x14 ISO 20 BC 02 JEE



**CRANKSHAFT - HARMONIC BALANCER**

Fig.	P/n	QTY	Name
------	-----	-----	------

Notes:  
[R 784]



1	0.044.1263.3/20	1	mass sx/lh/li
1	2.1559.115.0	2	special bushing 26x30x30
2	0.044.1261.3/10	1	mass dx/rh/re
2	2.1559.115.0	2	special bushing 26x30x30
3	2.1589.050.0	4	shim
4	0.044.1266.0/20	2	shaft
5	0.044.1260.0/20	1	shaft
6	2.1589.049.0	2	shoulder ring 12.5x26x0.3
7	2.1579.629.0	2	spacer 12.5x26x0.1
8	2.1579.626.0	2	spacer 13.2x16x11
9	2.1579.628.0	1	spacer 16.5x26x0.1
10	2.1589.048.0	1	shoulder ring 16.5x26x0.3
11	2.1379.038.0	2	shim mm 0.1
12	2.1379.039.0	1	shim mm 0.3
13	2.0112.426.1	2	screw m 12 p.1.75x85
14	2.1631.717.0	2	roll pin 8 x 40
15	2.1474.009.2	2	spring washer 8
16	2.0112.204.2	2	screw m 8 p.1.25x14
17	2.3339.515.2	1	pipe fitting
18	2.3319.041.1	1	pipe union m 12 p.1.25-p.1.75
19	2.1560.007.0	7	gasket 12.2x16
20	0.044.1562.2	1	tube
21	2.1019.048.1	1	special nut m 12 p.1.5
22	2.3332.003.2	1	pipe union m 12 p.1.25 x 23
23	0.319.1550.3	1	tube

Section: ENGINE

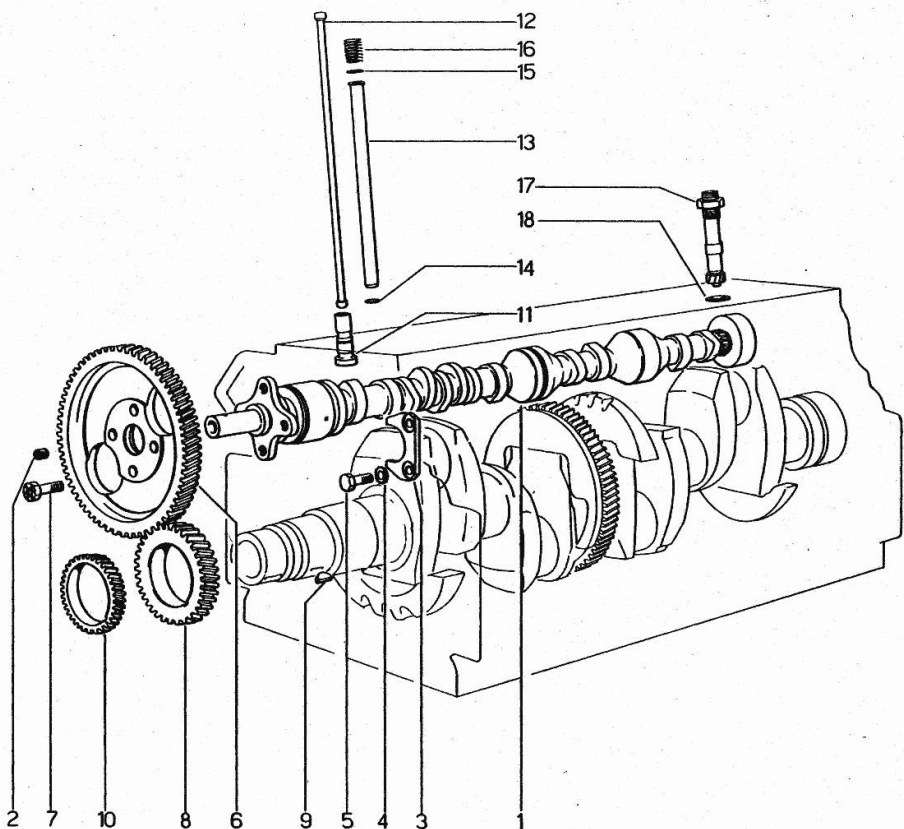
**CAMSHAFT**

Fig.	P/n	QTY	Name
------	-----	-----	------

**Notes:**

[R 784]

1	0.044.1310.0	1	camshaft
2	2.3120.001.4	1	plug m 18 p.1.5
3	0.027.1314.0	1	flange
4	2.1470.004.2	2	lock washer 8
5	2.0112.207.2	2	screw m 8 p 1.25 x 20
6	0.041.1321.0	1	gear z = 66
7	2.0139.005.1	4	screw m 10 p.1 x 25
8	0.040.1320.0	1	gear z = 33
9	2.1720.010.0	1	key 5x9
10	0.040.1323.0/10	1	gear Z = 38
11	0.044.1330.0/10	8	tappets
12	0.041.1331.3	8	rod
13	0.041.1332.0	8	sleeve
14	2.1539.020.0	8	special oil seal 13.95x2.62
15	2.1539.022.0	8	special oil seal 12.37x2.62
16	2.4019.162.1/20	8	spring 17.2x46x1.8
17	0.041.1355.3	1	transmission
18	2.1560.013.0	1	gasket 18.2x22



**Buy Now**



Our support email:

[ebooklibonline@outlook.com](mailto:ebooklibonline@outlook.com)