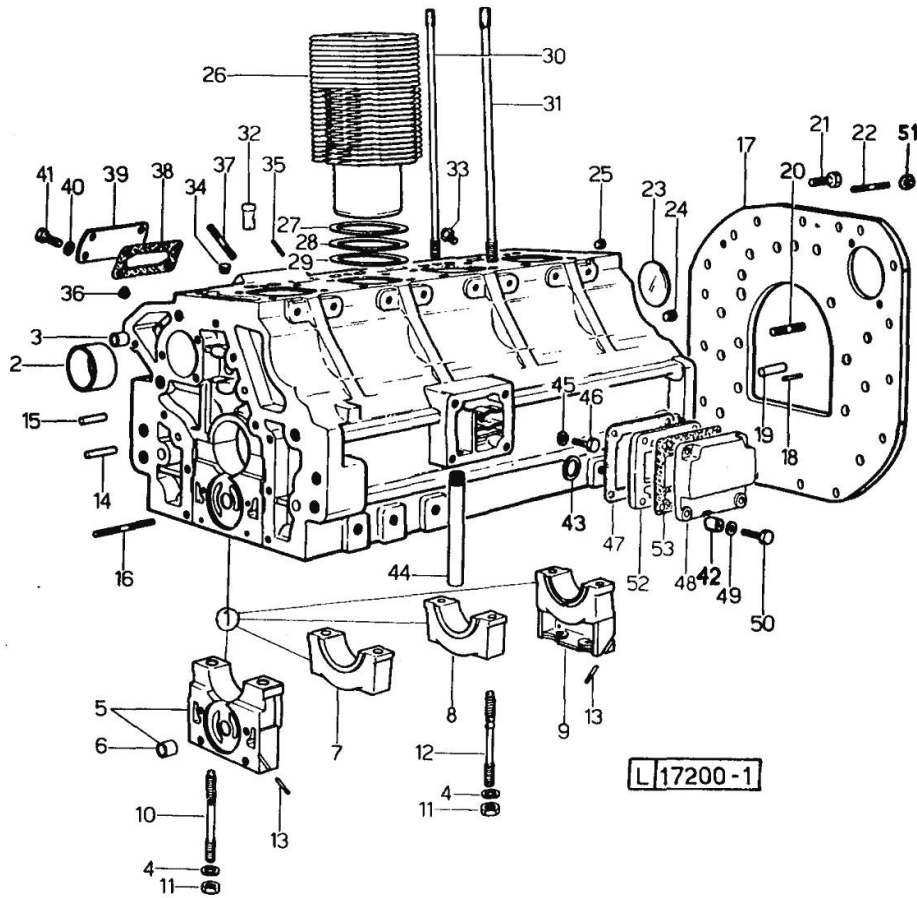


Section: ENGINE  
**CRANKCASE**

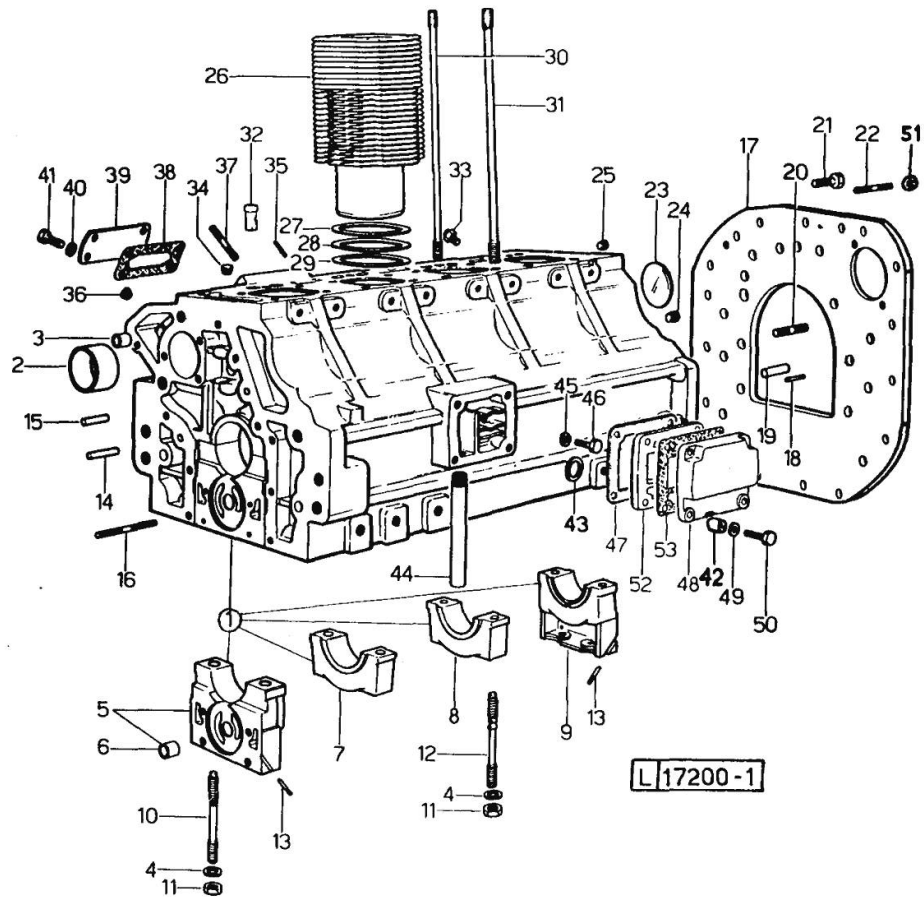
| Fig. | P/n | QTY | Name |
|------|-----|-----|------|
|------|-----|-----|------|

Notes:  
 [R 854]



|    |                 |    |                                 |
|----|-----------------|----|---------------------------------|
| 0  | 0.044.0050.6    | 1  | gasket set                      |
| 1  | 0.044.1110.4/50 | 1  | crankcase                       |
| 1  | 0.044.1110.4/60 | 1  | crankcase                       |
| 2  | 0.037.1155.0    | 1  | bushing                         |
| 3  | 2.1559.111.0    | 2  | bushing 12x14x10                |
| 4  | 2.1599.144.0    | 10 | shoulder                        |
| 5  | 0.004.8774.3    | 1  | support                         |
| 6  | 2.1559.090.0/10 | 1  | bushing 14.24x19.06x27          |
| 7  | 0.037.1114.0    | 1  | support                         |
| 8  | 0.029.1113.0    | 2  | support                         |
| 9  | 0.029.1116.0    | 1  | support                         |
| 10 | 0.021.1157.0    | 4  | stud bolt                       |
| 11 | 2.1019.026.1    | 10 | special nut m 12 p.1.5          |
| 12 | 0.029.1117.0    | 6  | stud bolt                       |
| 13 | 0.029.1154.0    | 4  | gasket                          |
| 14 | 2.1699.114.0    | 1  | pin 8x55                        |
| 15 | 2.1653.711.0    | 1  | pin                             |
| 16 | 2.0432.025.1    | 2  | stud bolt m 8 p 1.25-1x100      |
| 17 | 0.045.1152.0/10 | 1  | plate                           |
| 18 | 2.1653.708.0    | 2  | pin 8x18                        |
| 19 | 2.1652.911.0    | 2  | cylindrical plug 12x25          |
| 20 | 2.0432.153.2    | 2  | stud bolt                       |
| 21 | 2.0112.513.2    | 11 | screw m 14 p.2 x 35             |
| 22 | 2.0432.255.2    | 2  | stud bolt m 12 p.1.75-1.25x25   |
| 23 | 2.3170.022.1    | 1  | expansion plug 60               |
| 24 | 2.3130.003.1    | 2  | plug 3/8" gas                   |
| 25 | 2.3130.002.1    | 1  | plug 1/4" gas                   |
| 26 | 0.044.1120.0/10 | 4  | engine cylinder                 |
| 27 | 2.1589.052.0    | 8  | shoulder ring 115x123x0.2       |
| 28 | 2.1589.051.0    | 4  | shoulder ring 116x123x0.1       |
| 29 | 2.1569.076.0    | 4  | gasket 116x123x0.5              |
| 30 | 0.041.1123.0/10 | 1  | stud bolt                       |
| 31 | 0.039.1122.0    | 16 | stud bolt m 12 p.1.5x310        |
| 32 | 0.044.1156.0    | 8  | special bushing                 |
| 33 | 0.071.1151.3    | 1  | valve                           |
| 34 | 2.3130.001.1    | 4  | plug 1/8" gas                   |
| 35 | 2.1653.507.0    | 2  | pin                             |
| 36 | 2.3139.001.0    | 5  | plug m 12 p.1.75                |
| 37 | 2.0432.003.1    | 4  | stud bolt m 8 p.1.25 / p.1 x 20 |
| 38 | 0.044.1151.0    | 1  | gasket                          |
| 39 | 0.044.1150.0    | 1  | cover                           |

Section: ENGINE  
**CRANKCASE**



| Fig. | P/n             | QTY | Name                  |
|------|-----------------|-----|-----------------------|
| 40   | 2.1310.004.2    | 4   | flat washer 8.4x17    |
| 41   | 2.0112.204.2    | 4   | screw m 8 p.1.25x14   |
| 42   | 2.1579.358.0    | 2   | spacer 8.5x20x11      |
| 43   | 0.045.1150.0    | 1   | oil seal              |
| 44   | 0.044.1152.0    | 1   | tube                  |
| 45   | 2.1474.009.1    | 1   | spring washer 8       |
| 46   | 2.0312.206.2    | 1   | screw m 8 p 1.25 x 20 |
| 47   | 0.044.1153.0/10 | 1   | gasket                |
| 48   | 0.044.1163.0    | 1   | cover                 |
| 49   | 2.1474.009.1    | 4   | spring washer 8       |
| 50   | 2.0112.217.2    | 4   | screw m 8 p.1.25 x 45 |
| 51   | 2.1011.207.2    | 2   | nut m 12 p.1.5        |
| 52   | 0.044.1160.0    | 1   | container             |
| 53   | 0.044.1161.0    | 1   | gasket                |

## Section: ENGINE

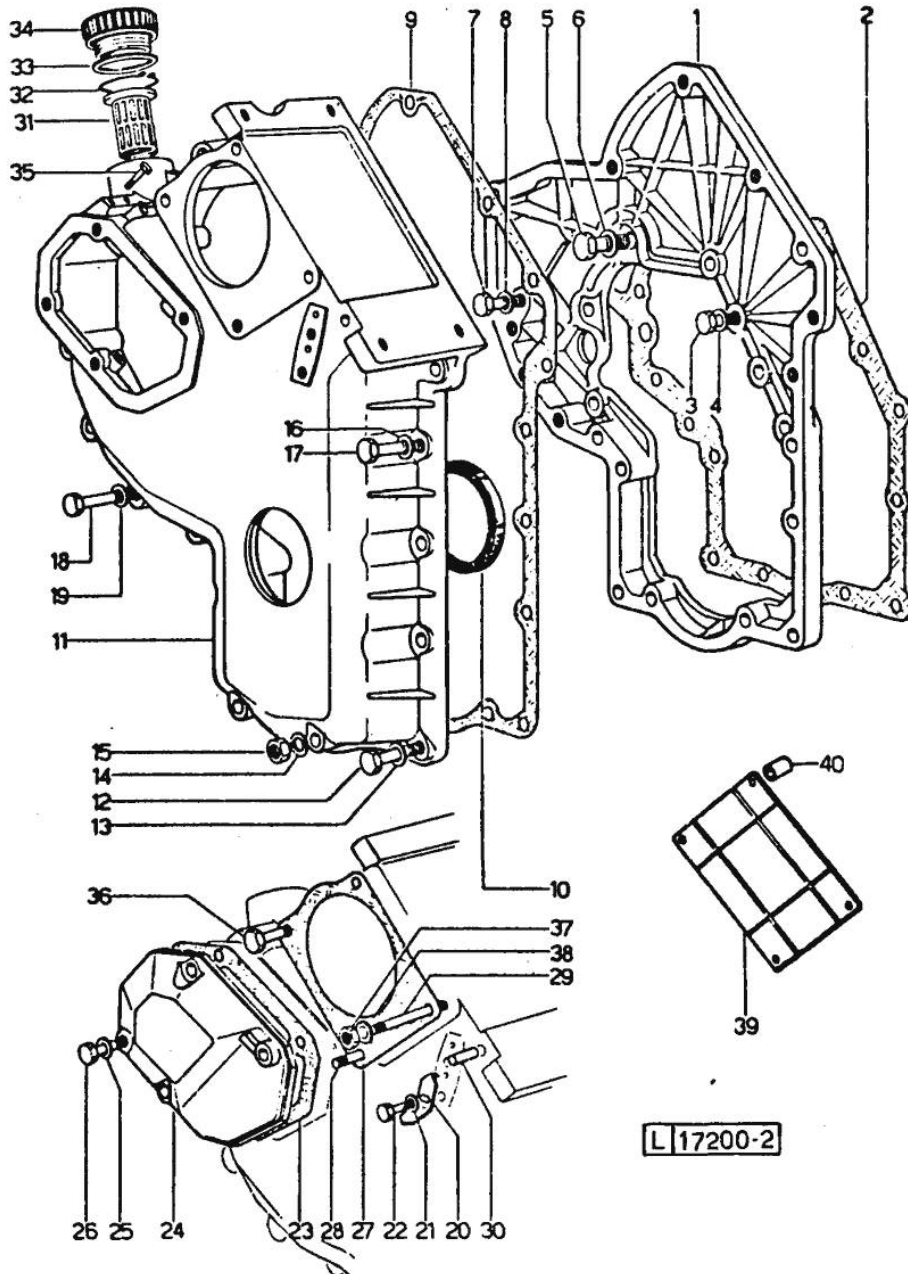
## TIMING CASE

| Fig. | P/n | QTY | Name |
|------|-----|-----|------|
|------|-----|-----|------|

## Notes:

[R 854]

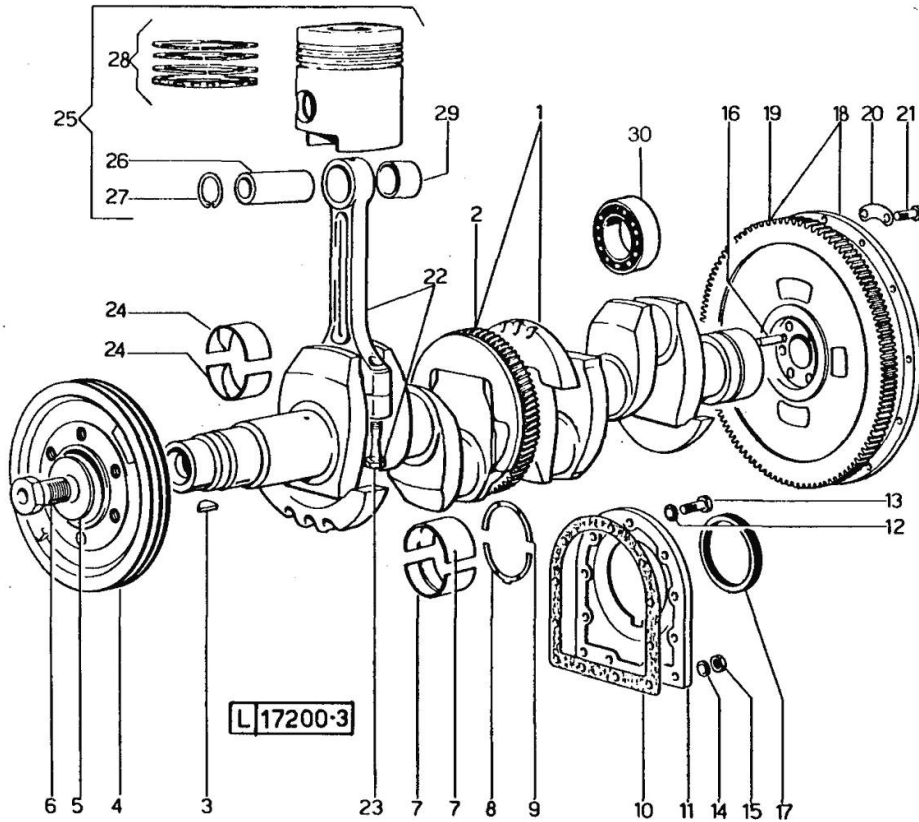
|    |                 |   |                            |
|----|-----------------|---|----------------------------|
| 1  | 0.048.1131.0    | 1 | flange                     |
| 2  | 0.041.1153.0    | 1 | gasket                     |
| 3  | 2.0112.209.2    | 5 | screw m 8 p 1.25 x 25      |
| 4  | 2.1474.009.1    | 5 | spring washer 8            |
| 5  | 2.0119.034.1    | 1 | screw m 14 p.2x20          |
| 6  | 2.1560.010.0    | 1 | gasket 14.2 x 20           |
| 7  | 2.0112.207.2    | 1 | screw m 8 p 1.25 x 20      |
| 8  | 2.1474.009.1    | 1 | spring washer 8            |
| 9  | 0.041.1152.0    | 1 | gasket                     |
| 10 | 2.1519.010.0    | 1 | special oil seal 58x80x10  |
| 11 | 0.048.1132.0/10 | 1 | guard                      |
| 12 | 2.0112.217.2    | 5 | screw m 8 p.1.25 x 45      |
| 13 | 2.1474.009.1    | 5 | spring washer 8            |
| 14 | 2.1560.003.0    | 2 | copper gasket 8.2 x 12     |
| 15 | 2.1011.405.2    | 2 | nut m 8 p.1                |
| 16 | 2.1474.009.1    | 2 | spring washer 8            |
| 17 | 2.0112.211.2    | 2 | screw m 8 p.1.25 x 30      |
| 18 | 2.0112.222.2    | 4 | screw m 8 p.1.25x65        |
| 19 | 2.1474.009.1    | 4 | spring washer 8            |
| 20 | 0.041.1158.0    | 1 | index                      |
| 21 | 2.1310.004.2    | 1 | flat washer 8.4x17         |
| 22 | 2.0112.204.2    | 1 | screw m 8 p.1.25x14        |
| 23 | 0.048.1152.0    | 1 | gasket                     |
| 24 | 0.048.1150.0/20 | 1 | cover                      |
| 25 | 2.1560.005.0    | 4 | copper gasket 10.2 x 14    |
| 26 | 2.0112.313.2    | 4 | screw m 10 p.1.5 x 35      |
| 27 | 0.041.1154.0    | 1 | gasket                     |
| 28 | 2.0432.015.2    | 1 | stud bolt m 8 p.1.25-1x50  |
| 29 | 2.0432.028.1    | 2 | stud bolt m 8 p.1.25-1x130 |
| 30 | 2.1653.717.0    | 1 | pin 8 x 40                 |
| 31 | 0.041.1159.0/10 | 1 | filter                     |
| 32 | 2.1411.012.1    | 1 | circlip 30                 |
| 33 | 2.1569.072.0    | 1 | gasket 32 x 39.5 x 2       |
| 34 | 0.041.1135.3    | 1 | plug                       |
| 35 | 2.0119.081.2    | 2 | screw                      |
| 36 | 2.0112.235.1    | 1 | screw m 8 p.1.25 x 130     |
| 37 | 2.1011.505.1    | 4 | old part number            |
| 38 | 2.1310.004.2    | 4 | flat washer 8.4x17         |
| 39 | 0.037.1151.0    | 1 | cover                      |
| 40 | 2.1579.191.0    | 4 | spacer 8.5 x 18 x 20       |



Section: ENGINE  
**CRANKSHAFT 2370 <-**

| Fig. | P/n | QTY | Name |
|------|-----|-----|------|
|------|-----|-----|------|

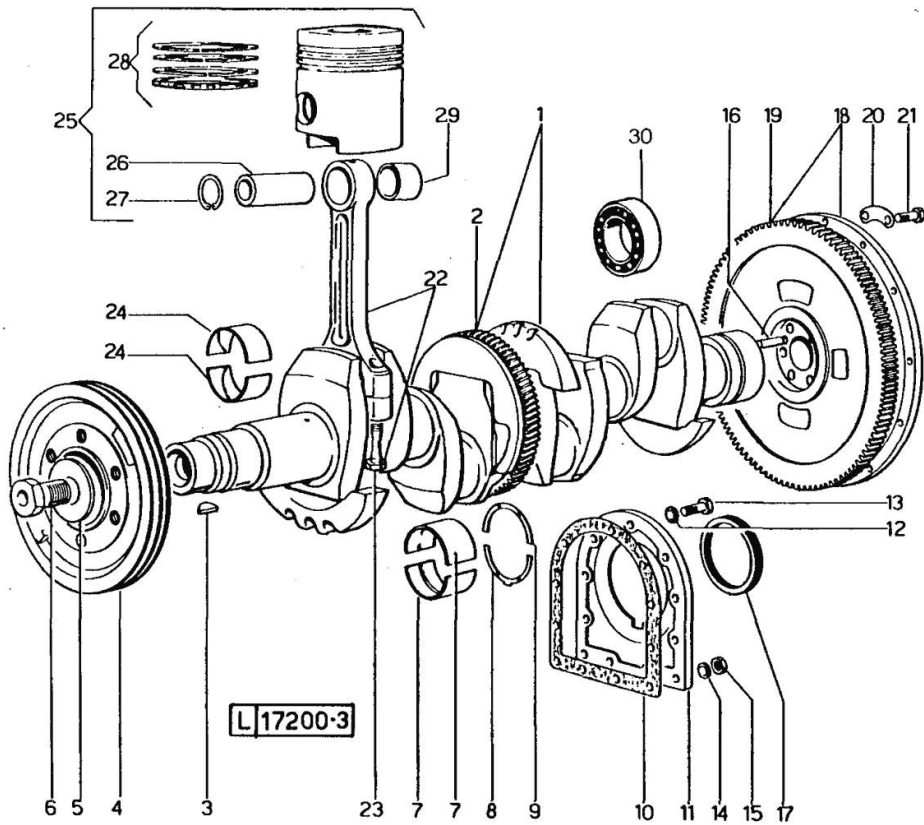
Notes:  
 [R 854]



|    |                 |    |                                 |
|----|-----------------|----|---------------------------------|
| 1  | 0.044.1210.4/10 | 1  | crankshaft                      |
| 2  | 0.044.1251.0    | 1  | gear                            |
| 3  | 2.1799.002.0    | 1  | stick 10x13                     |
| 4  | 0.044.1253.0    | 1  | pulley                          |
| 5  | 0.001.6020.0    | 1  | shoulder                        |
| 6  | 2.0129.032.2    | 1  | screw m 24 p.2x45               |
| 7  | 0.029.0066.0    | 10 | main half bushing - mm 1.00     |
| 7  | 0.029.1215.0    | 10 | main half bushing               |
| 7  | 0.029.1215.7    | 10 | main half bushing - mm 0.25     |
| 7  | 0.029.1215.8    | 10 | main half bushing - mm 0.50     |
| 7  | 0.029.1215.9    | 10 | main half bushing - mm 0.75     |
| 8  | 0.001.4547.0    | 2  | shoulder ring + mm 0.05         |
| 8  | 0.001.4548.0    | 2  | shoulder ring + mm 0.10         |
| 8  | 0.001.4549.0    | 2  | shoulder ring + mm 0.15         |
| 8  | 0.042.1219.0    | 2  | shoulder ring STANDARD          |
| 9  | 0.001.4544.0    | 2  | shoulder ring + mm 0.05         |
| 9  | 0.001.4545.0    | 2  | shoulder ring + mm 0.10         |
| 9  | 0.001.4546.0    | 2  | shoulder ring + mm 0.15         |
| 9  | 0.042.1218.0    | 2  | shoulder ring STANDARD          |
| 10 | 0.029.1250.0    | 1  | gasket                          |
| 11 | 0.029.1240.0    | 1  | flange                          |
| 12 | 2.1474.010.2    | 7  | washer 10                       |
| 13 | 2.0112.309.2    | 7  | screw m 10 p.1.5 x 25           |
| 14 | 2.1560.006.0    | 2  | gasket 10.2 x 16                |
| 15 | 2.1011.421.2    | 2  | nut m 10 p.1.25                 |
| 16 | 2.1652.915.0    | 2  | cylindrical plug 12x35          |
| 17 | 2.1519.009.0    | 1  | special oil seal                |
| 18 | 0.042.1251.3/10 | 1  | flywheel                        |
| 18 | 0.045.1251.3/10 | 1  | flywheel                        |
| 19 | 0.036.1242.0    | 1  | crown wheel Z = 126, mm 15      |
| 20 | 2.1379.006.0    | 3  | lock-tab 15x15x36,5             |
| 21 | 2.0122.515.2    | 6  | screw m 14 p.1.5x40             |
| 22 | 0.052.1220.3    | 4  | engine connecting rod           |
| 23 | 0.039.1250.0    | 8  | screw m 14 p.1.5x63             |
| 24 | 0.039.0068.0    | 8  | con.rod half bushing - mm 1.016 |
| 24 | 0.039.1225.0    | 8  | con.rod half bushing            |
| 24 | 0.039.1225.7    | 8  | con.rod half bushing -mm 0.254  |
| 24 | 0.039.1225.8    | 8  | con.rod half bushing -mm 0.508  |
| 24 | 0.039.1225.9    | 8  | con.rod half bushing -mm 0.762  |
| 25 | 0.046.0060.6    | 4  | complete piston                 |
| 25 | 0.046.0061.6    | 4  | complete piston + mm 0.5        |

Section: ENGINE  
**CRANKSHAFT 2370 <-**

| Fig. | P/n          | QTY | Name                     |
|------|--------------|-----|--------------------------|
| 25   | 0.046.0062.6 | 4   | complete piston + mm 1.0 |
| 26   | 0.038.1236.0 | 4   | piston pin               |
| 27   | 2.1411.014.1 | 8   | circlip 35               |
| 28   | 0.038.0052.6 | 4   | piston ring set          |
| 28   | 0.038.0053.6 | 4   | piston ring set + mm 0.5 |
| 28   | 0.038.0054.6 | 4   | piston ring set + mm 1.0 |
| 29   | 0.002.4168.0 | 4   | bearing                  |
| 30   | 2.2041.008.0 | 1   | ball bearing 20x47x14    |

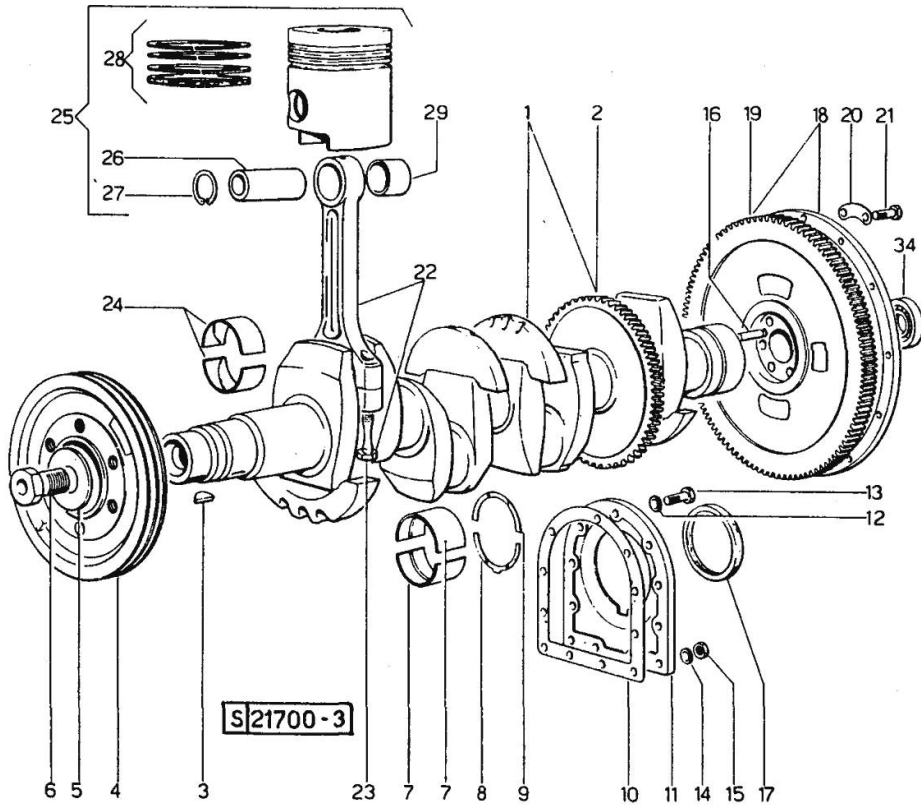


Section: ENGINE  
**CRANKSHAFT -> 2371**

| Fig. | P/n | QTY | Name |
|------|-----|-----|------|
|------|-----|-----|------|

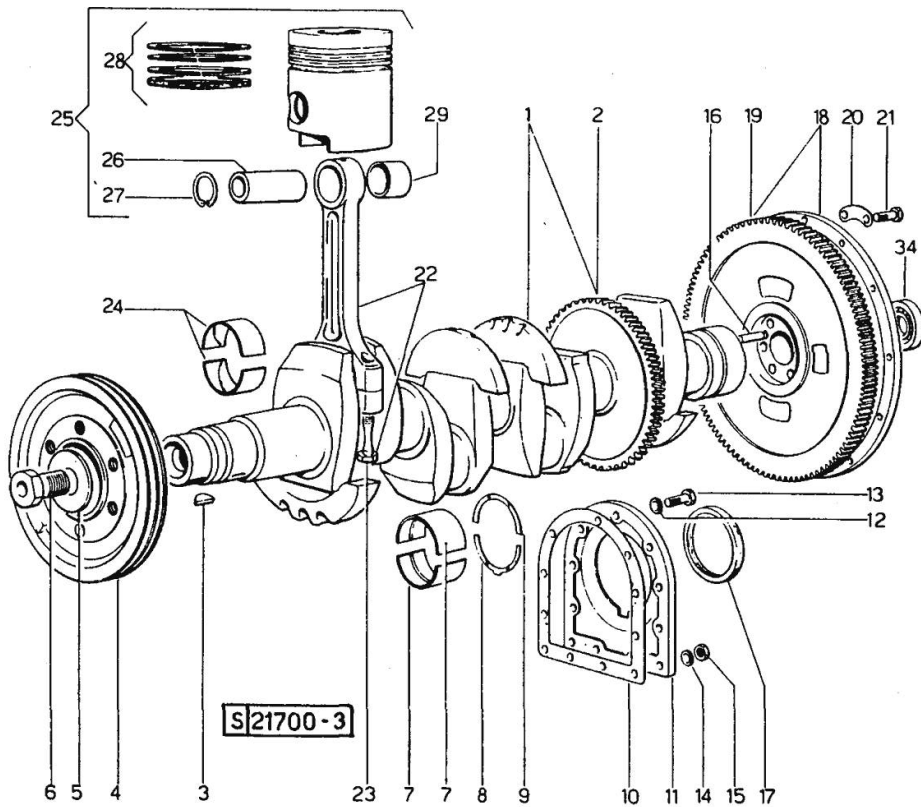
Notes:  
 [R 854]

|    |                 |    |                                 |
|----|-----------------|----|---------------------------------|
| 1  | 0.044.1267.4/20 | 1  | crankshaft                      |
| 1  | 2.1630.611.0    | 1  | roll pin 6 x 24                 |
| 2  | 0.044.1265.0/20 | 1  | gear                            |
| 3  | 2.1799.002.0    | 1  | stick 10x13                     |
| 4  | 0.054.1250.0    | 1  | pulley                          |
| 5  | 0.001.6020.0    | 1  | shoulder                        |
| 6  | 2.0129.032.2    | 1  | screw m 24 p.2x45               |
| 7  | 0.029.0066.0    | 10 | main half bushing - mm 1.00     |
| 7  | 0.029.1215.0/10 | 10 | main half bushing               |
| 7  | 0.029.1215.7    | 10 | main half bushing - mm 0.25     |
| 7  | 0.029.1215.8    | 10 | main half bushing - mm 0.50     |
| 7  | 0.029.1215.9    | 10 | main half bushing - mm 0.75     |
| 8  | 0.001.4547.0    | 2  | shoulder ring + mm 0.05         |
| 8  | 0.001.4548.0    | 2  | shoulder ring + mm 0.10         |
| 8  | 0.001.4549.0    | 2  | shoulder ring + mm 0.15         |
| 8  | 0.042.1219.0    | 2  | shoulder ring STANDARD          |
| 9  | 0.001.4544.0    | 2  | shoulder ring + mm 0.05         |
| 9  | 0.001.4545.0    | 2  | shoulder ring + mm 0.10         |
| 9  | 0.001.4546.0    | 2  | shoulder ring + mm 0.15         |
| 9  | 0.042.1218.0    | 2  | shoulder ring STANDARD          |
| 10 | 0.029.1250.0    | 1  | gasket                          |
| 11 | 0.029.1240.0    | 1  | flange                          |
| 12 | 2.1474.010.2    | 7  | washer 10                       |
| 13 | 2.0112.309.2    | 7  | screw m 10 p.1.5 x 25           |
| 14 | 2.1560.006.0    | 2  | gasket 10.2 x 16                |
| 15 | 2.1011.421.2    | 2  | nut m 10 p.1.25                 |
| 16 | 2.1652.915.0    | 2  | cylindrical plug 12x35          |
| 17 | 2.1519.009.0    | 1  | special oil seal                |
| 18 | 0.042.1251.3/10 | 1  | flywheel                        |
| 18 | 0.045.1250.3/10 | 1  | flywheel                        |
| 19 | 0.036.1242.0    | 1  | crown wheel Z = 126, mm 15      |
| 20 | 2.1379.006.0    | 3  | lock-tab 15x15x36,5             |
| 21 | 2.0122.515.2    | 6  | screw m 14 p.1.5x40             |
| 22 | 0.052.1220.3/10 | 4  | engine connecting rod           |
| 23 | 0.039.1250.0    | 8  | screw m 14 p.1.5x63             |
| 24 | 0.039.0068.0    | 8  | con.rod half bushing - mm 1.016 |
| 24 | 0.039.1225.0    | 8  | con.rod half bushing            |
| 24 | 0.039.1225.7    | 8  | con.rod half bushing -mm 0.254  |
| 24 | 0.039.1225.8    | 8  | con.rod half bushing -mm 0.508  |
| 24 | 0.039.1225.9    | 8  | con.rod half bushing -mm 0.762  |
| 25 | 0.046.0060.6    | 4  | complete piston                 |



## CRANKSHAFT -&gt; 2371

| Fig. | P/n          | QTY | Name                     |
|------|--------------|-----|--------------------------|
| 25   | 0.046.0061.6 | 4   | complete piston + mm 0.5 |
| 25   | 0.046.0062.6 | 4   | complete piston + mm 1.0 |
| 26   | 0.038.1236.0 | 4   | piston pin               |
| 27   | 2.1411.014.1 | 8   | circlip 35               |
| 28   | 0.054.0052.6 | 4   | piston ring set          |
| 28   | 0.054.0053.6 | 4   | piston ring set + mm 0.5 |
| 28   | 0.054.0054.6 | 4   | piston ring set + mm 1.0 |
| 29   | 0.002.4168.0 | 4   | bearing                  |
| 34   | 2.2041.008.0 | 1   | ball bearing 20x47x14    |



**Buy Now**



Our support email:

[ebooklibonline@outlook.com](mailto:ebooklibonline@outlook.com)