

ENGINE

| Fig. | P/n | QTY | Name |
|------|-----|-----|------|
|------|-----|-----|------|

Notes:

[R1.45 -> 10001 2WD] [R1.45 -> 10001 4WD]

| | | | |
|-----|--------------|---|--------------------|
| 101 | 6.N8700.01.0 | 1 | new engine <=50 kw |
|-----|--------------|---|--------------------|

☞ 6.N8700.01.0

☞ 6.N8700.01.0

☞ 6.N8700.01.0

☞ 6.N8700.01.0

☞ 6.N8700.01.0

☞ 6.N8700.01.0

☞ 6.N8700.01.0

☞ 6.N8700.01.0

☞ 6.N8700.01.0

☞ 6.N8700.01.0

☞ 6.N8700.01.0

☞ 6.N8700.01.0

☞ 6.N8700.01.0

☞ 6.N8700.01.0

☞ 6.N8700.01.0

☞ 6.N8700.01.0

☞ 6.N8700.01.0

☞ 6.N8700.01.0

☞ 6.N8700.01.0

☞ 6.N8700.01.0

☞ 6.N8700.01.0

☞ 6.N8700.01.0

☞ 6.N8700.01.0

☞ 6.N8700.01.0

☞ 6.N8700.01.0

☞ 6.N8700.01.0

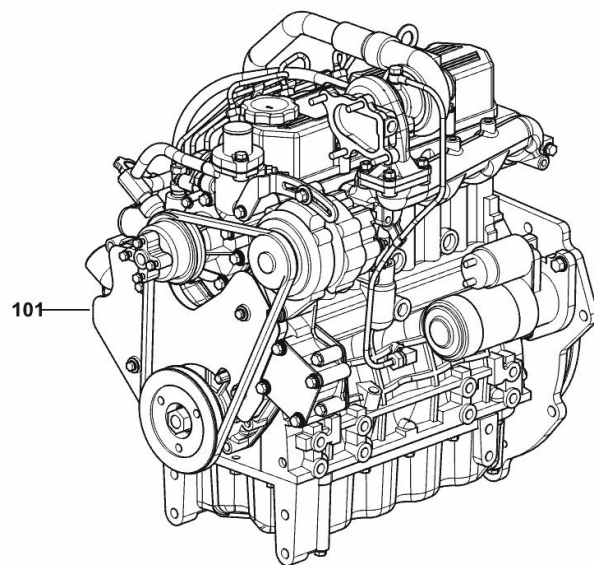
☞ 6.N8700.01.0

☞ 6.N8700.01.0

☞ 6.N8700.01.0

☞ 6.N8700.01.0

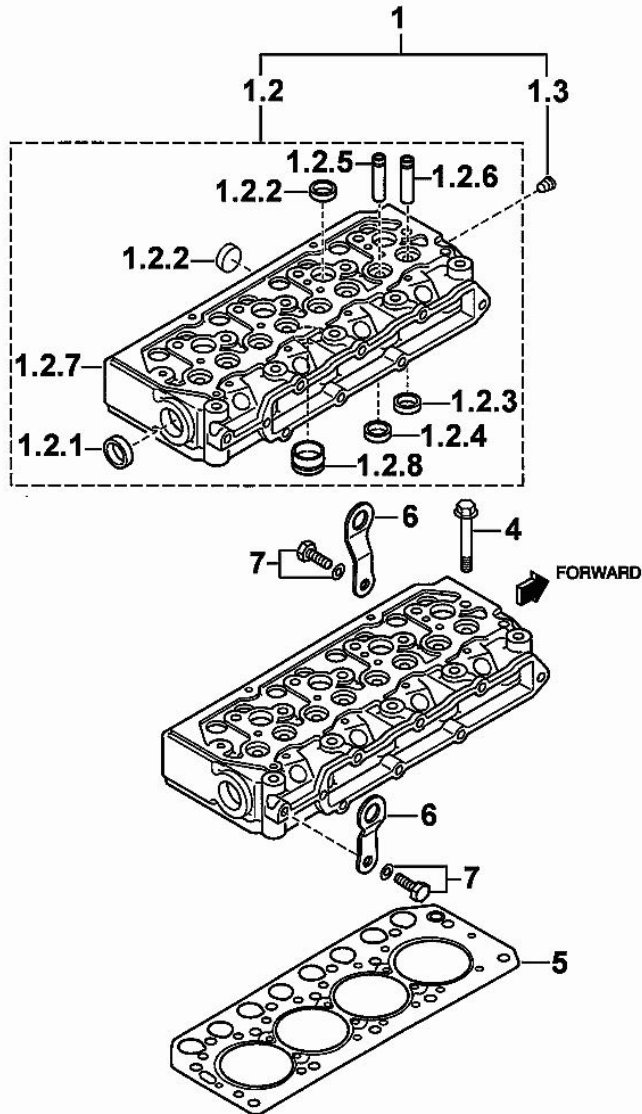
☞ 6.N8700.01.0



W9_A5281_02_0-B-001

Section: B0 - ENGINE
CYLINDER HEAD

| Fig. | P/n | QTY | Name |
|-------|--------------|-----|--------------------|
| 1 | 0.010.3986.0 | 1 | engine head |
| 1.2 | 0.000.0000.1 | | cannot be supplied |
| 1.2.1 | 0.010.2634.1 | 1 | plug |
| 1.2.2 | 0.010.2636.1 | 7 | plug |
| 1.2.3 | 0.000.0000.1 | | cannot be supplied |
| 1.2.4 | 0.000.0000.1 | | cannot be supplied |
| 1.2.5 | 0.010.2634.2 | 4 | valve guide |
| 1.2.6 | 0.010.2635.0 | 4 | valve guide |
| 1.2.7 | 0.000.0000.1 | | cannot be supplied |
| 1.2.8 | 0.010.2636.2 | 4 | special bushing |
| 1.3 | 0.009.4545.1 | 1 | plug |
| 4 | 0.010.2633.1 | 14 | screw |
| 5 | 0.010.2635.2 | 1 | gasket |
| 6 | 0.009.4541.2 | 2 | bracket |
| 7 | 0.010.2633.0 | 2 | screw |

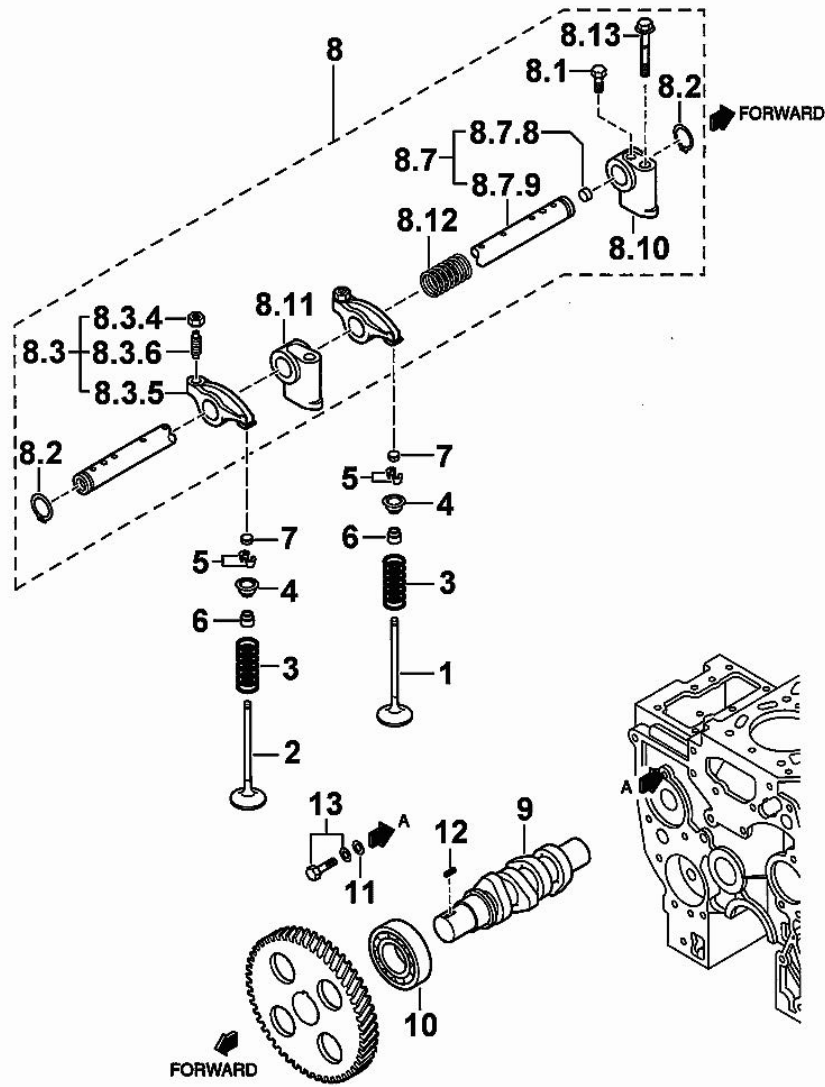


MIT_H36_002-A-001

01011-001E 45CV

Section: B0 - ENGINE
CYLINDER HEAD

| Fig. | P/n | QTY | Name |
|-------|--------------|-----|------------------------|
| 1 | 0.010.2637.2 | 4 | inlet valve Ø mm 6.5 |
| 2 | 0.010.2638.0 | 4 | exhaust valve Ø mm 6.5 |
| 3 | 0.010.2638.1 | 8 | spring |
| 4 | 0.000.0000.1 | 8 | cannot be supplied |
| 5 | 0.009.4561.2 | 16 | stop |
| 6 | 0.009.4562.0 | 8 | gasket |
| 7 | 0.010.2639.0 | 8 | cap |
| 8 | 0.000.0000.1 | 1 | cannot be supplied |
| 8.1 | 0.010.2640.1 | 1 | screw |
| 8.2 | 0.009.4559.0 | 2 | ring |
| 8.3 | 0.010.3949.0 | 8 | rocker arm |
| 8.3.4 | 0.010.2641.0 | 8 | nut |
| 8.3.5 | 0.000.0000.1 | | cannot be supplied |
| 8.3.6 | 0.010.3949.1 | 8 | register |
| 8.7 | 0.010.2644.1 | 1 | shaft |
| 8.7.8 | 0.010.2643.0 | 2 | plug |
| 8.7.9 | 0.000.0000.1 | | cannot be supplied |
| 8.10 | 0.010.2642.0 | 1 | support |
| 8.11 | 0.010.2642.1 | 3 | support |
| 8.12 | 0.010.2643.1 | 3 | spring |
| 8.13 | 0.010.2643.2 | 4 | screw |
| 9 | 0.010.2644.0 | 1 | camshaft |
| 10 | 0.009.4567.0 | 1 | special bearing |
| 11 | 0.009.4566.0 | 1 | washer |
| 12 | 0.009.4567.2 | 1 | stick |
| 13 | 0.010.2639.1 | 1 | screw |

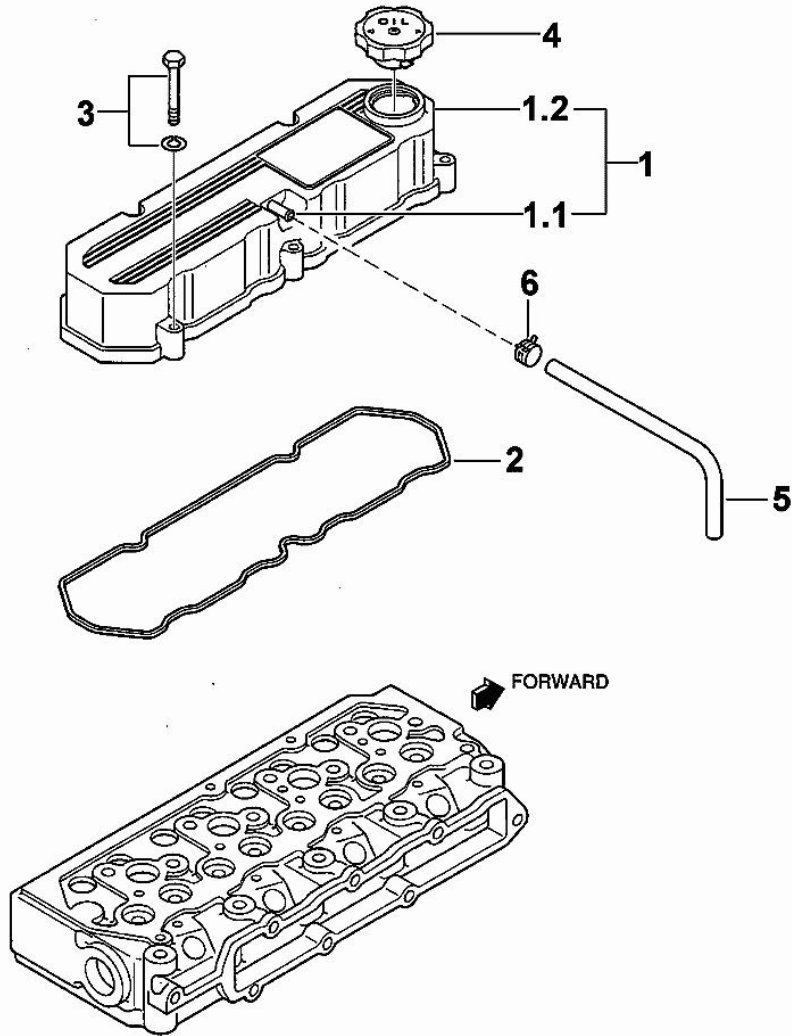


MIT_H36_004-A-001

01021-013E

Section: B0 - ENGINE
CYLINDER HEAD

| Fig. | P/n | QTY | Name |
|------|--------------|-----|--------------------|
| 1 | 0.010.2647.1 | 1 | cover |
| 1.1 | 0.000.0000.1 | | cannot be supplied |
| 1.2 | 0.000.0000.1 | | cannot be supplied |
| 2 | 0.010.2647.2 | 1 | gasket |
| 3 | 0.010.2645.2 | 5 | screw |
| 4 | 0.009.4548.0 | 1 | plug |
| 5 | 0.009.4781.2 | 1 | tube |
| 6 | 0.010.2206.0 | 1 | clamp |

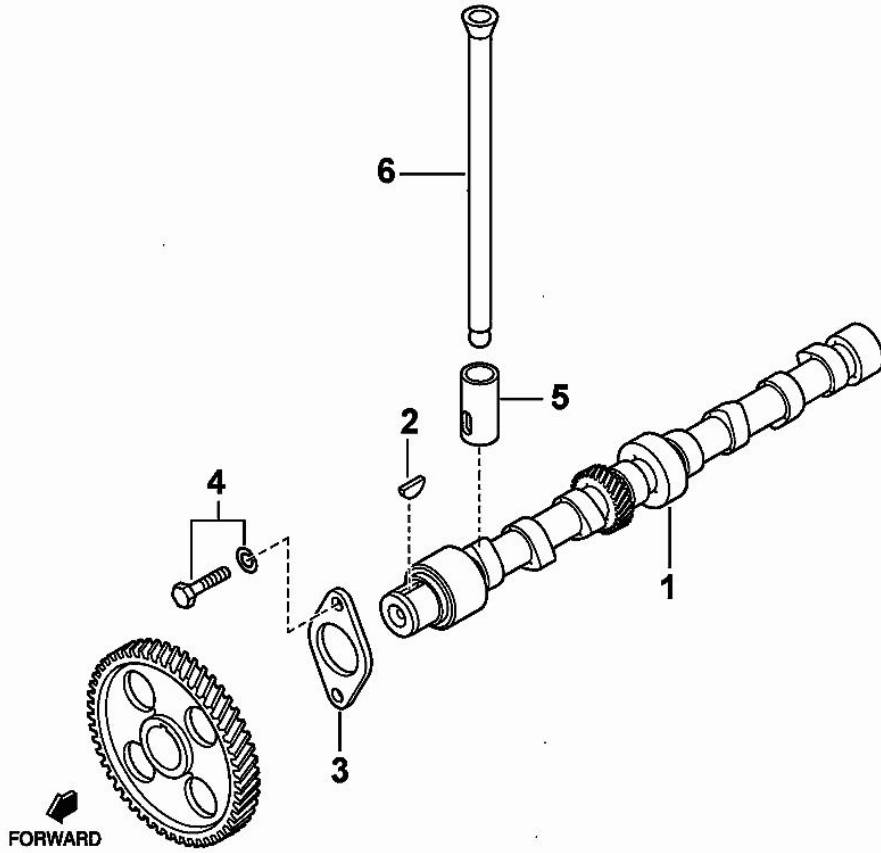


MIT_H36_006-A-001

01031-015E

CAMSHAFT

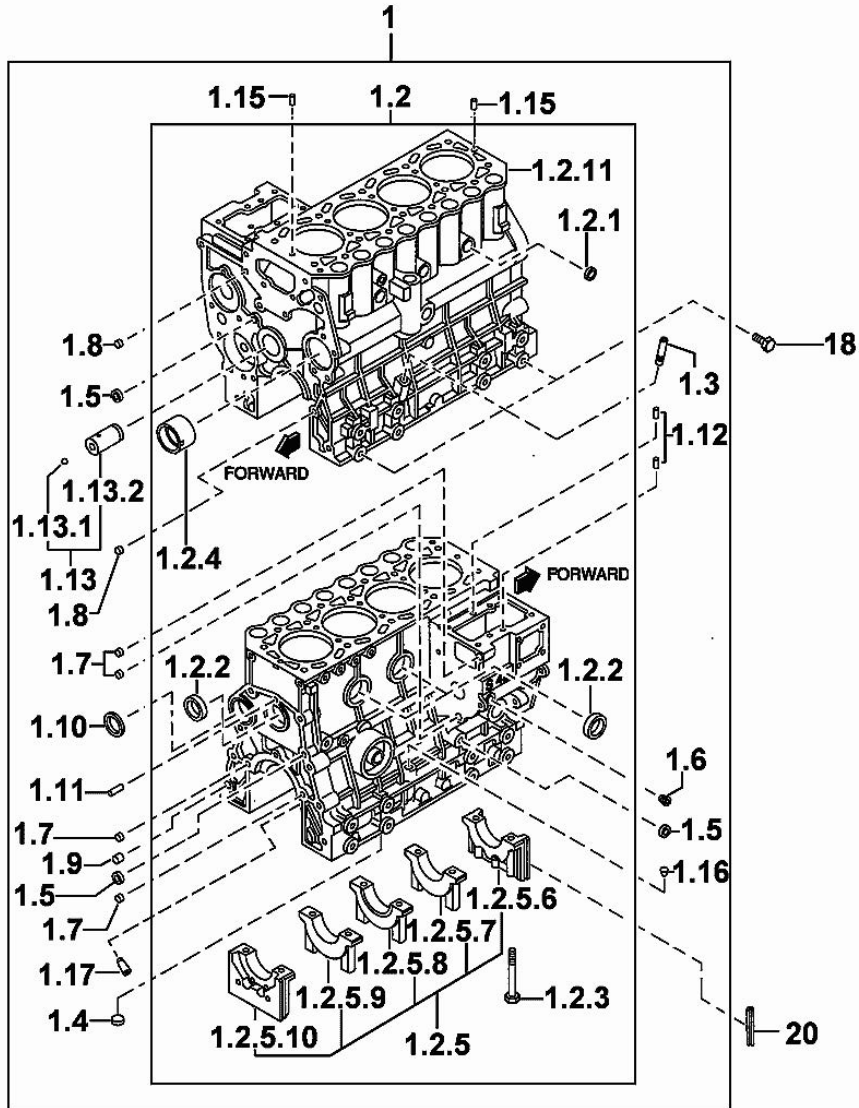
| Fig. | P/n | QTY | Name |
|------|--------------|-----|-------------|
| 1 | 0.010.3949.2 | 1 | camshaft |
| 2 | 0.009.4555.1 | 1 | key |
| 3 | 0.010.3950.0 | 1 | small plate |
| 4 | 0.010.2639.1 | 2 | screw |
| 5 | 0.010.3950.1 | 8 | tappets |
| 6 | 0.010.2646.2 | 8 | rod |



01031-016E

MIT_H36_007-A-001

CRANKCASE



| Fig. | P/n | QTY | Name |
|----------|--------------|-----|--------------------|
| 1 | 0.010.3961.1 | 1 | crankcase |
| 1.2 | 0.000.0000.1 | | cannot be supplied |
| 1.2.1 | 0.010.2652.1 | 3 | special bushing |
| 1.2.2 | 0.010.2652.2 | 3 | special bushing |
| 1.2.3 | 0.010.2653.0 | 10 | screw |
| 1.2.4 | 0.010.2653.1 | 1 | special bushing |
| 1.2.5 | 0.000.0000.1 | | cannot be supplied |
| 1.2.5.6 | 0.000.0000.1 | | cannot be supplied |
| 1.2.5.7 | 0.000.0000.1 | | cannot be supplied |
| 1.2.5.8 | 0.000.0000.1 | | cannot be supplied |
| 1.2.5.9 | 0.000.0000.1 | | cannot be supplied |
| 1.2.5.10 | 0.000.0000.1 | | cannot be supplied |
| 1.2.11 | 0.000.0000.1 | | cannot be supplied |
| 1.3 | 0.009.4523.2 | 1 | guide |
| 1.4 | 0.010.2649.0 | 1 | plug |
| 1.5 | 0.010.2649.1 | 3 | special bushing |
| 1.6 | 0.009.4545.1 | 1 | plug |
| 1.7 | 0.009.4524.2 | 4 | special bushing |
| 1.8 | 0.009.4525.1 | 2 | special bushing |
| 1.9 | 0.009.4525.2 | 1 | special bushing |
| 1.10 | 0.009.4524.1 | 1 | expansion plug |
| 1.11 | 0.010.3951.0 | 1 | pin |
| 1.12 | 0.009.4523.0 | 2 | pin |
| 1.13 | 0.010.2650.0 | 1 | pin |
| 1.13.1 | 0.010.2650.1 | 1 | ball |
| 1.13.2 | 0.000.0000.1 | | cannot be supplied |
| 1.15 | 0.010.2651.0 | 2 | pin |
| 1.16 | 0.010.2651.1 | 1 | plug |
| 1.17 | 0.010.3961.2 | 4 | sprayers |
| 18 | 0.010.2648.1 | 4 | screw |
| 20 | 0.010.2651.2 | 4 | gasket |

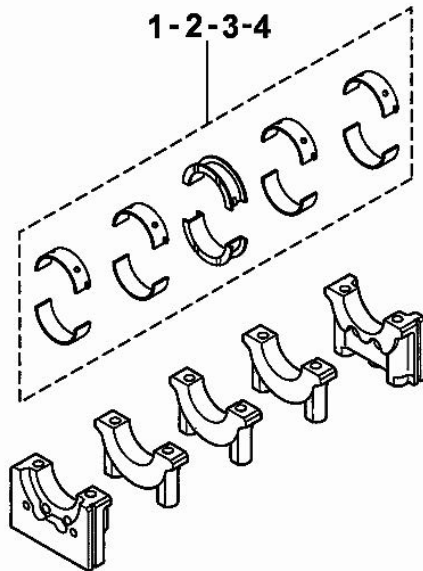
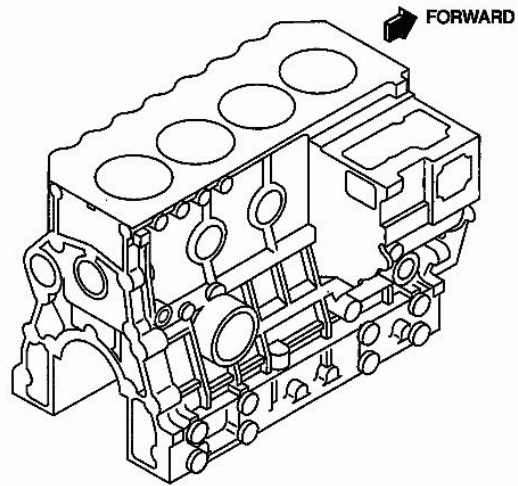
MIT_H36_009-A-001

01041-019E 45CV

Section: B0 - ENGINE

MAIN BEARINGS

| Fig. | P/n | QTY | Name |
|------|--------------|-----|-----------------------------|
| 1 | 0.010.2656.2 | 1 | main half bushing STANDARD |
| 2 | 0.010.2657.0 | 1 | main half bushing - mm 0.25 |
| 3 | 0.010.2657.1 | 1 | main half bushing - mm 0.50 |
| 4 | 0.010.2657.2 | 1 | main half bushing - mm 0.75 |



MIT_H36_012-A-001

0104B1-001E

Buy Now



Our support email:

ebooklibonline@outlook.com