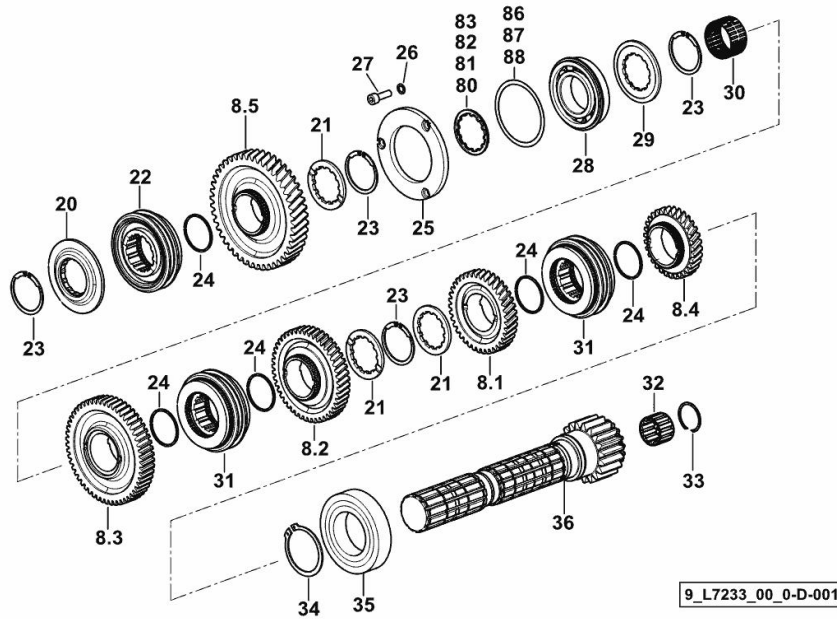


5-SPEED GEARBOX SECONDARY SHAFT

Fig.	P/n	QTY	Name
------	-----	-----	------

Notes:

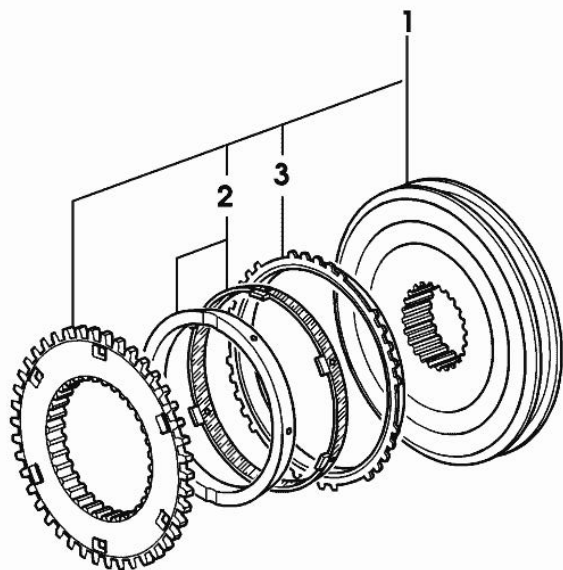
[R3 100 T ->1001]



8.1	0.012.9813.0	1	gear Z = 38
8.2	0.012.9800.0/10	1	gear Z = 46
8.3	0.012.9803.0/10	1	gear Z = 54
8.4	0.013.1436.0/10	1	gear Z = 31
8.5	0.012.9812.0	1	gear Z = 46
20	0.015.3876.0/10	1	shoulder ring
21	0.008.4112.0	3	shoulder ring 46x65x4
22	0.012.9848.4	1	lock synchronizer Ø 71/76 (1034 <-) ☞ 0.012.9848.4
22	0.012.9848.4/10	1	lock synchronizer Ø 71/76
23	2.1499.085.0	4	circlip 45.8
24	2.1499.086.0	5	circlip 45.2x1.8
25	0.007.7308.0	1	small cover
26	2.1480.014.2	3	washer 8
27	2.0312.208.2	3	screw m 8 p.1.25 x 25
28	2.2999.204.0	1	special bearing 50 x 90 x 20
29	0.012.9601.0	1	shoulder ring 46x82x4
30	2.2999.456.0	1	roller cage 45x50x27
31	0.012.9852.4	2	lock synchronizer Ø 71/76 (1034 <-) ☞ 0.012.9852.4
31	0.012.9852.4/10	2	lock synchronizer Ø 71/76
32	2.2999.282.0	1	roller cage 28 x 38 x 25.5
33	2.1423.028.7	1	circlip 38x1.5
34	2.1410.024.2	1	circlip Ø 60 mm
35	2.2999.082.0/10	1	special bearing 60x110x22
36	0.016.1221.0/10	1	reduction unit shaft
80	2.1599.896.0	0.25	slewing ring 46x60x2
81	2.1599.897.0	0.25	slewing ring 46x60x2.15
82	2.1599.898.0	0.25	slewing ring 46x60x2.3
83	2.1599.899.0	0.25	slewing ring 46x60x2.45
86	2.1580.303.0	1	shim 78x89x0.2
87	2.1580.304.0	1	shim 78x89x0.5
88	2.1580.310.0	1	shim 78x89x0.05

SYNCHRONIZER PARTS

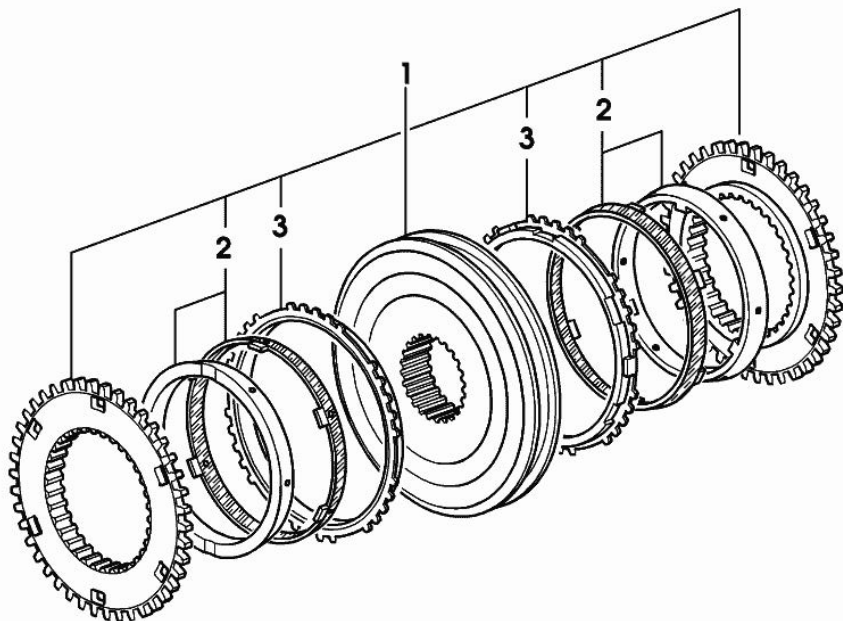
Fig.	P/n	QTY	Name
1	0.012.9848.4	1	lock synchronizer Ø 71/76
2	0.010.3885.1	1	ring
3	0.010.3885.2	1	lock synchronizer



0_012_9848_4

Section: D0 - TRANSMISSION
SYNCHRONIZER PARTS

Fig.	P/n	QTY	Name
1	0.012.9852.4	1	lock synchronizer Ø 71/76
2	0.010.3885.1	2	ring
3	0.010.3885.2	2	lock synchronizer



0_012_9852_4

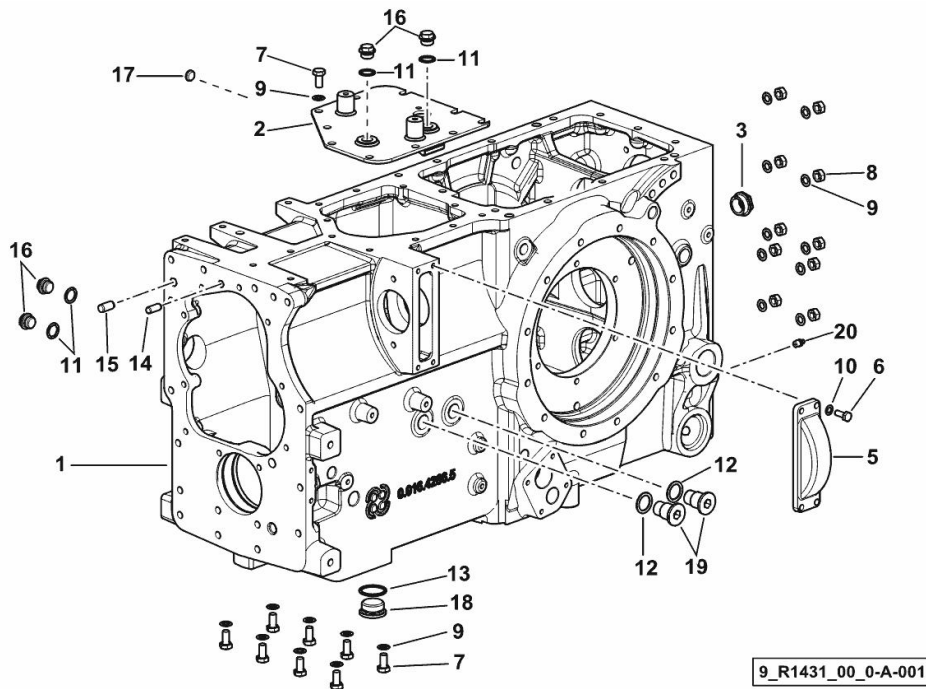
REAR GEARBOX CASE

Fig.	P/n	QTY	Name
------	-----	-----	------

Notes:

[R3 100 T ->1001] 1033 <-

1	0.016.4266.0/20	1	gear box
2	0.016.2209.3/20	1	cover
3	2.3199.250.0	1	plug m 30 p.1
5	0.255.3134.0/10	1	small cover
6	2.0112.207.2	4	screw m 8 p 1.25 x 20
7	2.0112.307.2	18	screw m 10 p.1.5 x 20
8	2.1011.421.2	10	nut m 10 p.1.25
9	2.1470.006.2	28	lock washer 10
10	2.1481.007.2	10	washer 8
11	2.1560.014.0	4	washer 18.2 x 24
12	2.1560.020.0	2	copper gasket 24.3x32
13	2.1560.026.0	1	gasket 35.3x41
14	2.1651.811.0	1	cylindrical plug 10x24
15	2.1651.911.0	1	cylindrical plug
16	2.3110.405.2	4	plug m 18 p.1.5 x 15
17	2.3171.006.4	1	plug Ø 16
18	2.3199.002.2	1	plug 1 gas
19	2.3199.083.2	2	plug m 24 p.1.5
20	2.3820.105.2	1	grease gun m 10 p.1 x 7



9_R1431_00_0-A-001

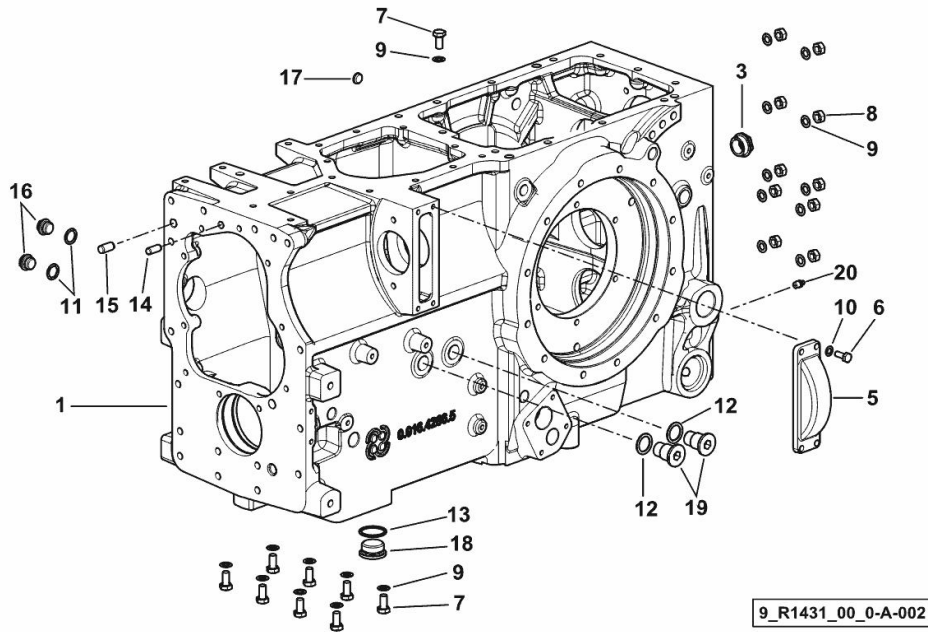
REAR GEARBOX CASE

Fig.	P/n	QTY	Name
------	-----	-----	------

Notes:

[R3 100 T ->1001] -> 1034

1	0.016.4266.0/20	1	gear box
3	2.3199.250.0	1	plug m 30 p.1
5	0.255.3134.0/10	1	small cover
6	2.0112.207.2	4	screw m 8 p 1.25 x 20
7	2.0112.307.2	18	screw m 10 p.1.5 x 20
8	2.1011.421.2	10	nut m 10 p.1.25
9	2.1470.006.2	28	lock washer 10
10	2.1481.007.2	10	washer 8
11	2.1560.014.0	2	washer 18.2 x 24
12	2.1560.020.0	2	copper gasket 24.3x32
13	2.1560.026.0	1	gasket 35.3x41
14	2.1651.811.0	1	cylindrical plug 10x24
15	2.1651.911.0	1	cylindrical plug
16	2.3110.405.2	2	plug m 18 p.1.5 x 15
17	2.3171.006.4	1	plug Ø 16
18	2.3199.002.2	1	plug 1 gas
19	2.3199.083.2	2	plug m 24 p.1.5
20	2.3820.105.2	1	grease gun m 10 p.1 x 7



Section: D0 - TRANSMISSION
GEARBOX UPPER COVER

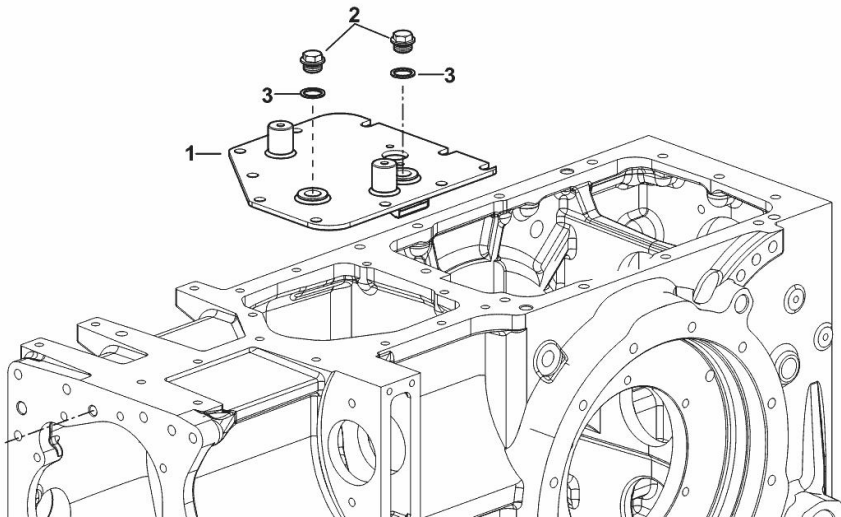
Fig.	P/n	QTY	Name
------	-----	-----	------

Notes:

[R3 100 T ->1001] -> 1034

1	0.016.2209.3/20	1	cover
2	2.3110.405.2	2	plug m 18 p.1.5 x 15
3	2.1560.014.0	2	washer 18.2 x 24

9_R2231_01_0-A-001

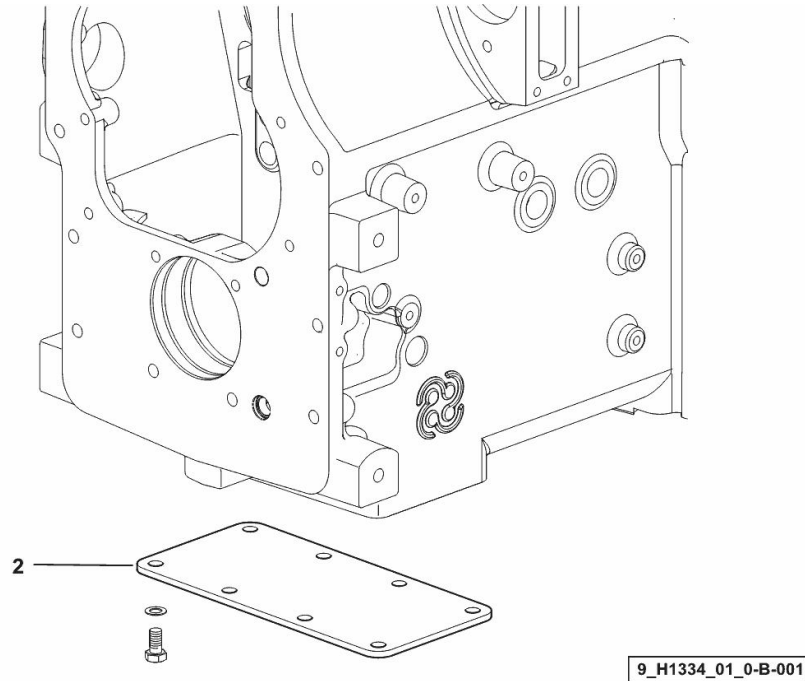


GEARBOX LOWER COVER

Fig.	P/n	QTY	Name
------	-----	-----	------

Notes:
[R3 100 T ->1001]

2	0.255.3128.0/20	1	cover
---	-----------------	---	-------



Buy Now



Our support email:

ebooklibonline@outlook.com