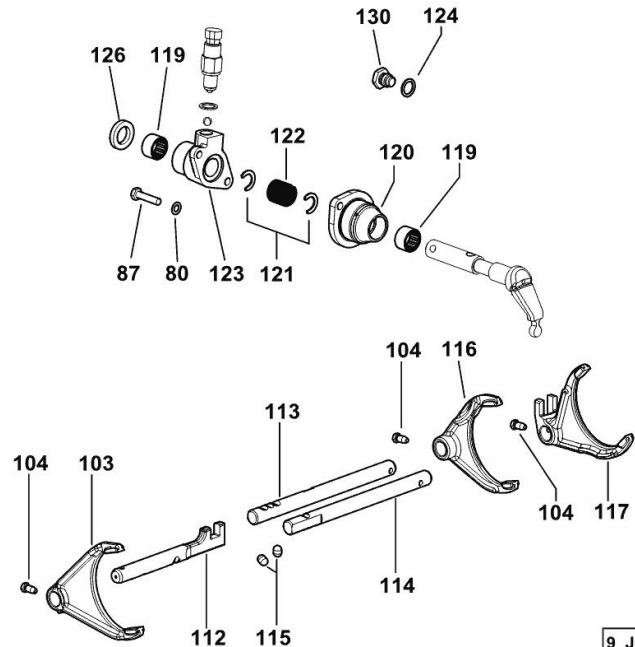


5-SPEED GEARBOX INTERNAL CONTROLS

Fig.	P/n	QTY	Name
------	-----	-----	------

Notes:

- FOR TYPES WITH HI - LO [R3 100 T 2WD ->5001] - FOR TYPES WITH HI - LO [R3 100 T 4WD ->5001] -> 5004



9_J1533_00_0-F-002

80	2.1470.004.2	5	lock washer 8
87	2.0112.213.2	4	screw m 8 p.1.25 x 35
103	0.013.0009.0/10	1	fork (5017 <-)
103	0.013.0009.0/20	1	fork (-> 5018)
104	2.0399.019.1	3	screw m 8 p.1 x 16
112	0.445.6454.0/30	1	rod
113	0.445.6421.0/10	1	rod
114	0.445.6420.0/10	1	rod
115	2.1699.159.0	2	cap 10 x 14.1
116	0.013.0010.0/10	1	fork (5017 <-)
116	0.013.0010.0/20	1	fork (-> 5018)
117	0.012.4169.0/20	1	fork (5017 <-)
117	0.012.4169.0/30	1	fork (-> 5018)
119	2.2725.030.0	2	roller cage 22 x 28 x 16
120	0.011.7127.0/20	1	support
121	0.008.5405.0	2	ring
122	2.4019.698.1/10	1	spring 21 x 25 x 46
123	0.014.9383.0/20	1	support
124	2.1560.012.0	2	gasket 16.2 x 22
126	2.1519.075.0	1	oil seal 22 x 35 x 6
130	2.3199.263.2	1	plug m 16 p.2x16x22

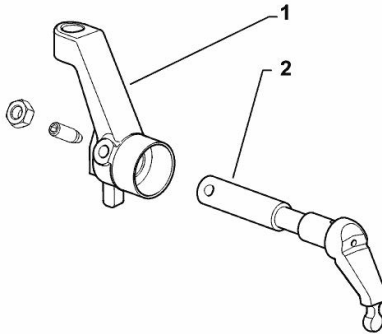
Section: D0 - TRANSMISSION
IN-CAB GEAR CONTROLS

Fig.	P/n	QTY	Name
------	-----	-----	------

Notes:

[R3 100 T 2WD ->5001] 5003 <- [R3 100 T 4WD ->5001] 5003 <-

1	0.015.4595.2/10	1	lever
2	0.015.6226.0/10	1	lever



9_R2233_01_0-A-001

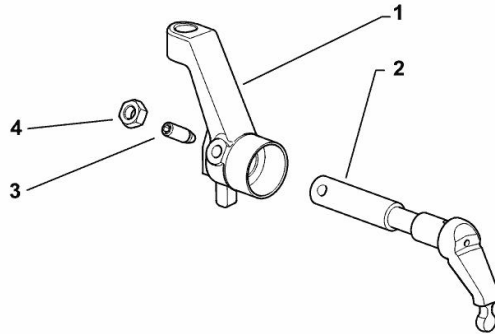
Section: D0 - TRANSMISSION
IN-CAB GEAR CONTROLS

Fig.	P/n	QTY	Name
------	-----	-----	------

Notes:

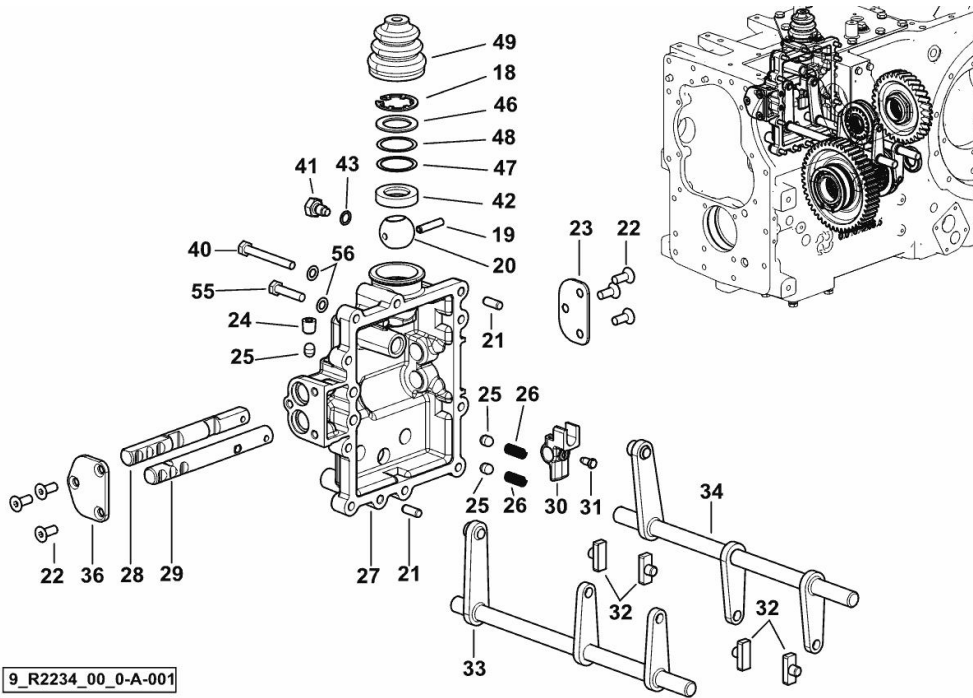
[R3 100 T 2WD ->5001] [R3 100 T 4WD ->5001] -> 5004

1	0.015.4595.2/10	1	lever
2	0.015.6226.0/10	1	lever
3	2.0399.050.2	1	screw m 10 p.1 x 30
4	2.1011.406.2	1	nut m 10 p.1



9_R2233_01_0-A-002

REDUCTION GEAR CONTROL



9_R2234_00_0-A-001

Fig.	P/n	QTY	Name
------	-----	-----	------

Notes:

[R3 100 T 2WD ->5001] [R3 100 T 4WD ->5001]

18	2.1499.054.1	1	circlip 42
19	2.1631.515.9	1	roll pin 6 x 32
20	0.255.6461.0	1	ball
21	2.1651.709.0	2	pin 8x20
22	2.0342.305.3	6	screw m 8 x 20
23	0.013.5465.0/10	1	plate
24	2.3131.001.4	1	plug m 12 p.1.5
25	2.1699.159.0	3	cap 10 x 14.1
26	2.4019.622.1	2	spring 6.3 x 9.5 x 1.6 x 22.4
27	0.013.5466.0	1	cover
28	0.013.5459.0	1	rod
29	0.013.5460.0	1	rod
30	0.013.5458.0	1	small lever
31	2.0399.019.1	1	screw m 8 p.1 x 16
32	0.255.6463.0	4	shoe
33	0.014.8304.2/10	1	fork
34	0.014.8303.2/20	1	fork
36	0.013.5464.0/10	1	plate
40	2.0112.222.2	1	screw m 8 p.1.25x65
41	2.0119.124.2	1	screw m 10 x 16
42	0.255.6462.0/10	1	spacer
43	2.1560.005.0	1	copper gasket 10.2 x 14
46	2.1599.429.0	1	shoulder ring 28x41.5
47	2.1580.115.0	1	shim 32.5x40x0.5
48	2.1580.114.0	1	shim 32.5x40x0.2
49	0.159.6415.0/10	1	guard
55	2.0112.213.2	8	screw m 8 p.1.25 x 35
56	2.1481.007.2	9	washer 8

SPEED RANGE REDUCTION GEAR UNIT

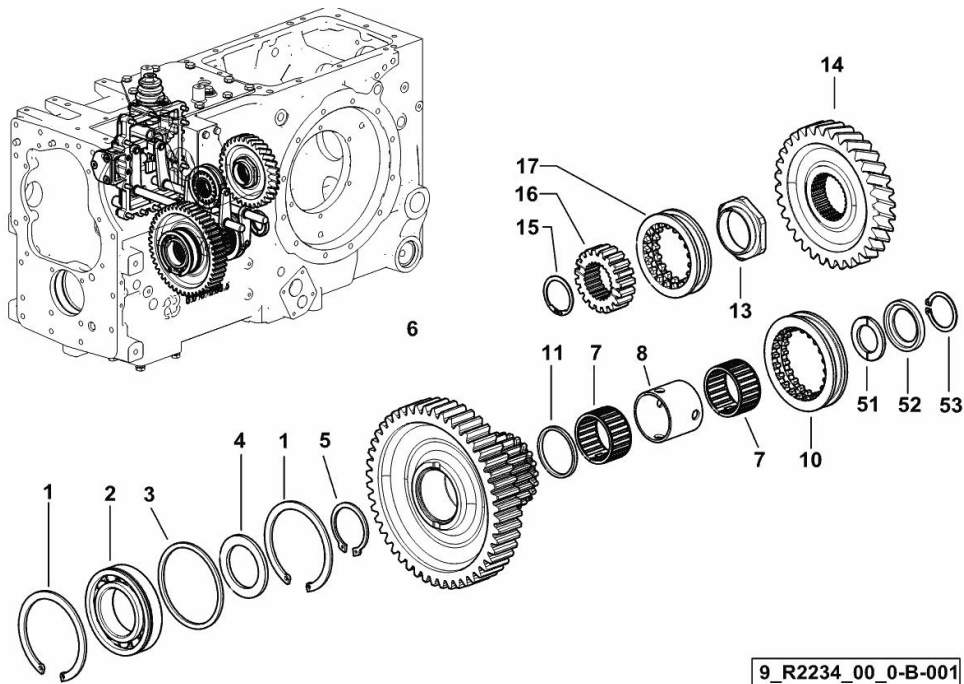


Fig.	P/n	QTY	Name
------	-----	-----	------

Notes:

[R3 100 T 2WD ->5001] [R3 100 T 4WD ->5001]

1	2.1411.036.1	2	circlip 90
2	2.2999.203.0	1	special bearing 50 x 90 x 20
3	2.1599.538.0	1	shoulder ring 80x89.5x3
4	2.1589.323.0	1	shoulder ring 45x65x4
5	2.1412.017.7	1	circlip 45
6	0.010.8998.0/20	1	gear z=48 z=22
7	2.2999.366.0	2	roller cage
8	2.1549.399.0/10	1	spacer
10	0.014.3116.0/10	1	sleeve
11	2.1549.413.0	1	spacer 47x52.8x4
13	2.1219.052.7/10	1	ring nut m 45 p.1.5
14	0.010.0843.0/20	1	gear z = 33
15	2.1419.067.0	1	circlip 35 x 1.5
16	0.255.3455.0	1	hub Z = 19
17	0.255.3438.0/20	1	sleeve Z = 19
51	0.008.5607.0/20	1	slewing ring
52	0.008.4481.0	1	ring
53	2.1410.014.1	1	circlip 35

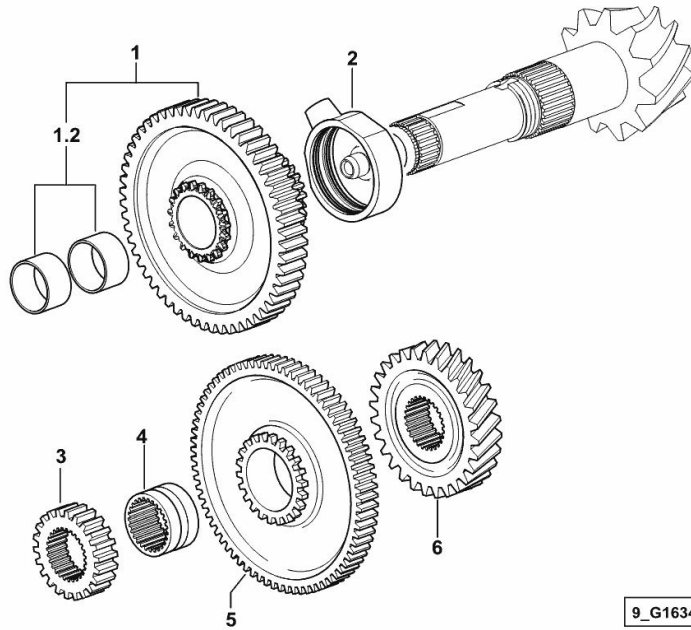
4-RANGE BOX

Fig.	P/n	QTY	Name
------	-----	-----	------

Notes:

[R3 100 T 2WD ->5001] [R3 100 T 4WD ->5001]

1	0.010.9013.3/10	1	gear z=56 z=26 z=19
1.2	2.1559.176.0	2	special bushing 40x44x25
2	0.007.3550.0	1	manifold
3	0.010.9008.0	1	hub Z = 22
4	0.010.9004.0/20	1	special bushing
5	0.010.9003.0	1	gear z=75 z=22
6	0.010.9006.0/10	1	gear Z = 28



9_G1634_08_0-A-001

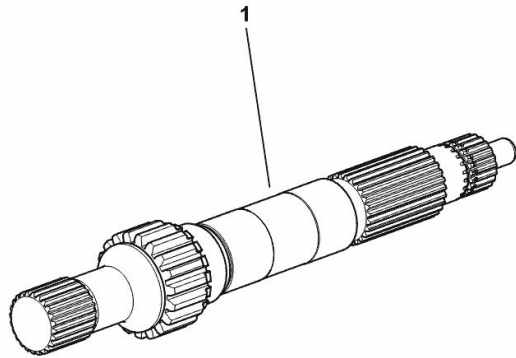
SPEED RANGE REDUCTION GEAR SHAFT

Fig.	P/n	QTY	Name
------	-----	-----	------

Notes:

[R3 100 T 2WD ->5001] [R3 100 T 4WD ->5001]

1	0.010.8996.0/10	1	reduction unit shaft
---	-----------------	---	----------------------



9_H1334_01_0-A-001

Buy Now



Our support email:

ebooklibonline@outlook.com