

**4WD - FRONT DIFFERENTIAL**

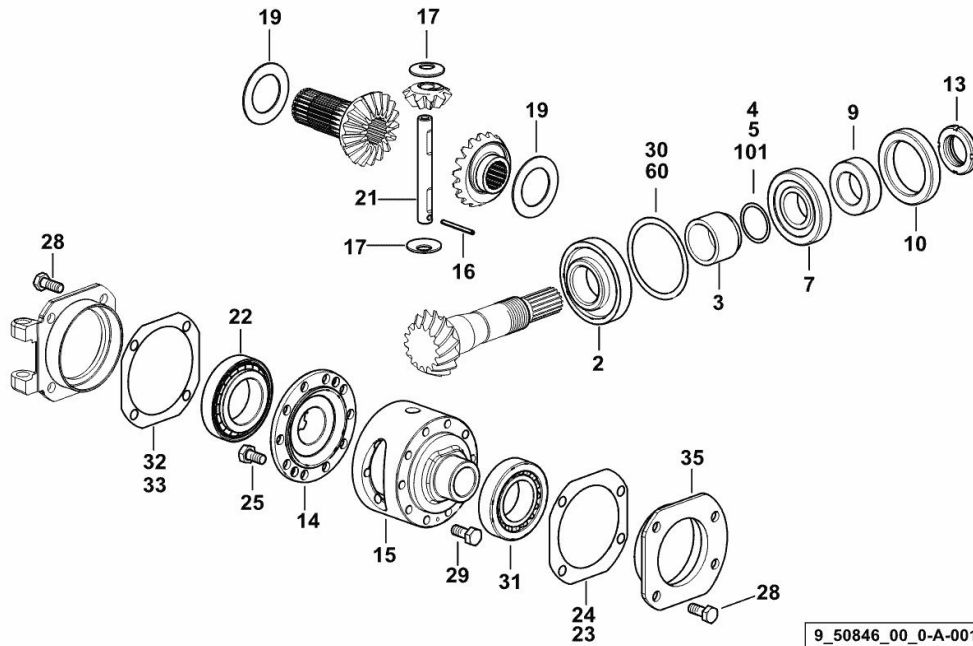


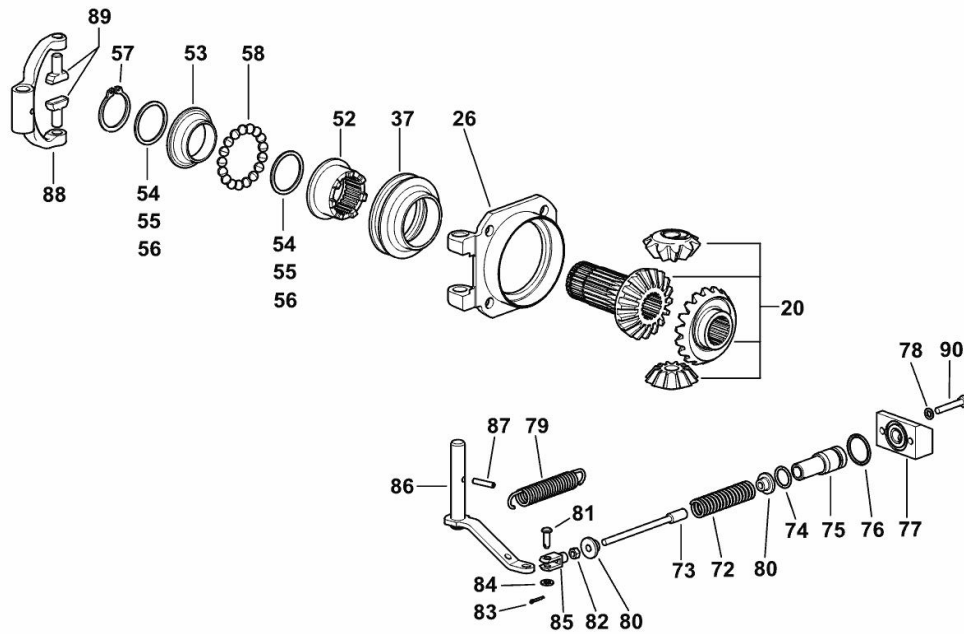
Fig.	P/n	QTY	Name
------	-----	-----	------

**Notes:**

[R3 100 TB ->1001]

2	2.2560.006.0	1	roller bearing 40 x 90 x 25.25
3	0.008.0389.0/30	1	spacer mm 37
4	2.1580.101.0	2	shim 36 x 43 x 0.2
5	2.1580.102.0	3	shim 36 x 43 x 0.5
7	2.2560.005.0	1	roller bearing 35 x 80 x 22.75
9	0.255.4650.0	1	spacer 35 x 58 x 19
10	2.1529.007.0/10	1	special oil seal 58 x 80 x 13
13	2.1214.108.7	1	ring nut m 35 p.1.5 SX
14	0.255.4615.0/40	1	flange
15	0.275.4610.0/10	1	differential carrier (-> 1001 )
16	2.1631.418.0	1	pin 5 x 45 (-> 1001 )
17	0.255.4629.0	2	shoulder ring 15.5x36x2
19	2.1599.431.0	2	shoulder ring 42x66x2
21	0.010.0856.0/20	1	pin (-> 1001 )
22	2.2520.011.0	1	roller bearing 50x90x21.75
23	0.445.4656.0/10	2	shim 92x127x0.2
24	0.445.4655.0/10	2	shim 92x127x0.5
25	2.0139.002.1	10	screw m 10 p.1.25 x 20
28	2.0132.207.2	8	screw m 10 p.1 x 25
29	2.0139.025.1	10	screw m 10 p.1.25 x 25
30	2.1580.302.0	2	shim 76 x 89 x 0.5
31	2.2540.005.0	1	roller bearing 45 x 85 x 24.75
32	0.146.4653.0/10	4	shim 96x127x0.2
33	0.146.4654.0/10	4	shim 96x127x0.5
35	0.255.4652.0/20	1	flange
60	2.1580.301.0	2	shim 76 x 89 x 0.2
101	2.1580.109.0	2	shim 36x43x0.15

**4WD - DIFFERENTIAL LOCK CONTROL-ELECTROHYDRAULIC**



9\_R1046\_08\_0-A-001

Fig.	P/n	QTY	Name
<b>Notes:</b>			
[R3 100 TB ->1001]			
20	0.275.4622.3/30	1	crown wheel
26	0.467.4650.0/30	1	flange
37	0.255.4617.0	1	sleeve
52	0.255.4618.0/10	1	sleeve
53	0.255.4619.0/10	1	spacer
54	2.1599.317.0/10	2	shim 38 x 44.50 x 2
55	2.1580.130.0	4	shim 38.5 x 44.50 x 0.5
56	2.1580.131.0	4	shim 38.5 x 44.50 x 0.2
57	2.1412.014.7	1	circlip 38x2.5
58	2.2810.006.0	17	ball 3/8"
72	2.4019.397.2	1	spring
73	0.467.4659.0/10	1	ferrule
74	2.1530.043.0	2	oil seal 17.13x2.62
75	0.007.6282.0/30	1	piston
76	2.1530.071.0	1	oil seal 26.64x2.62
77	0.007.2704.0/10	1	cover
78	2.1470.002.2	2	lock washer 6
79	2.4049.184.2	1	spring 12.4x18x2.8x56
80	0.272.4651.0	2	spacer
81	2.1671.103.2	1	pin 6x18
82	2.1011.103.2	1	nut m 6 p.1
83	2.1690.205.2	1	split pin 2x12
84	2.1310.002.2	1	flat washer 6.4x12.5
85	2.3510.003.2	1	fork m 6
86	0.007.2705.2/10	1	lever
87	2.1630.511.0	1	roll pin 5x24
88	0.467.4657.0/10	1	fork
89	0.467.4660.0	2	shoe
90	2.0112.013.2	2	screw m 6 p.1 x 35

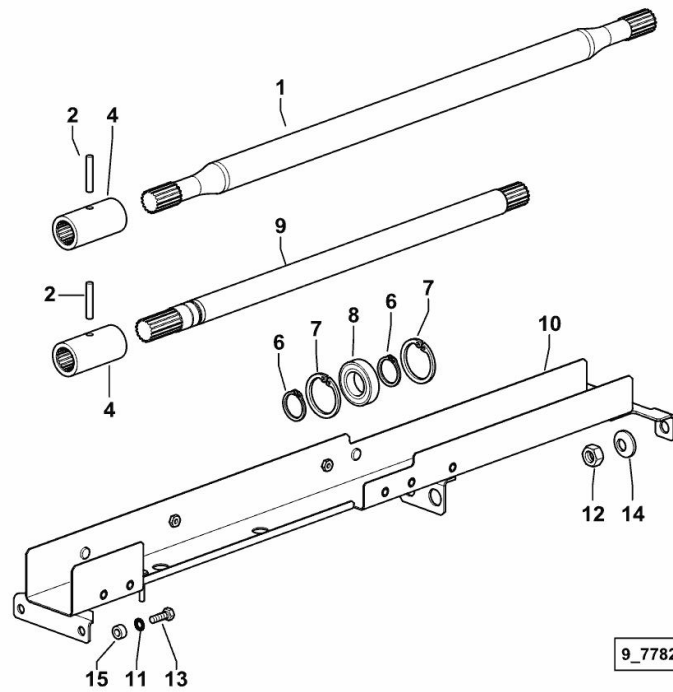
**4WD - TRANSMISSION SHAFT**

Fig.	P/n	QTY	Name
------	-----	-----	------

**Notes:**

[R3 100 TB -&gt;1001]

1	0.011.0842.2	1	transmission shaft mm 849
2	2.1631.718.0	2	roll pin 8 x 45
4	0.255.2617.0/10	2	sleeve
6	2.1499.528.1	2	circlip 30
7	2.1411.025.1	2	circlip 62
8	2.2999.008.0	1	special bearing 30x62x23.8
9	0.014.3398.0/10	1	transmission shaft mm 642
10	0.010.7164.2/70	1	shield
11	2.1470.004.2	2	lock washer 8
12	2.1011.408.2	2	nut m 14 p.1.5
13	2.0112.209.2	2	screw m 8 p 1.25 x 25
14	2.1475.005.2	2	washer 14
15	2.1579.987.2	2	spacer 8.5x16x8



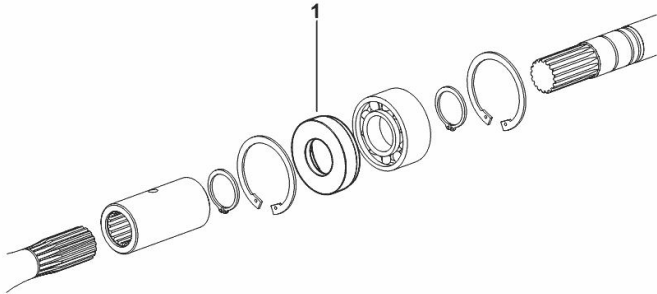
9\_77826\_00\_0-A-001

**4WD - TRANSMISSION SHAFT - WITH STANDARD SEALS**

Fig.	P/n	QTY	Name
------	-----	-----	------

Notes:  
[R3 100 TB ->1001]

1	0.014.3406.0	1	bushing
---	--------------	---	---------



9\_B7826\_02\_0-A-001

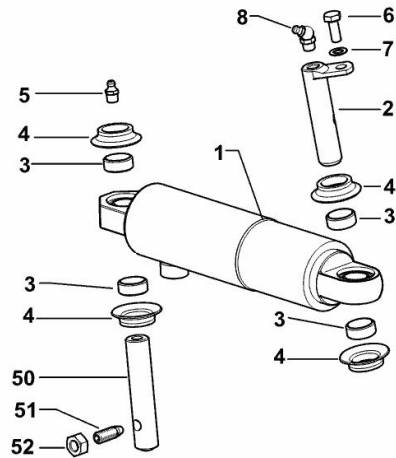
**4WD - POWER STEERING CYLINDER**

Fig.	P/n	QTY	Name
------	-----	-----	------

**Notes:**

[R3 100 TB ->1001] 1079 <-

1	0.007.2706.4/10	2	jack ☞ 0.007.2706.4/10
2	0.016.1031.2	2	piston pin
3	2.1579.739.0	8	spacer 21x25x10
4	0.270.6351.0	8	rubber ring
5	2.3820.105.2	2	grease gun m 10 p.1 x 7
6	2.0112.207.2	2	screw m 8 p 1.25 x 20
7	2.1470.004.2	2	lock washer 8
8	2.3821.103.2	2	grease gun m 10 p.1x10
50	0.016.1051.0	2	piston pin
51	2.0399.050.2	2	screw m 10 p.1 x 30
52	2.1011.406.2	2	nut m 10 p.1



9\_50843\_05\_0-A-001

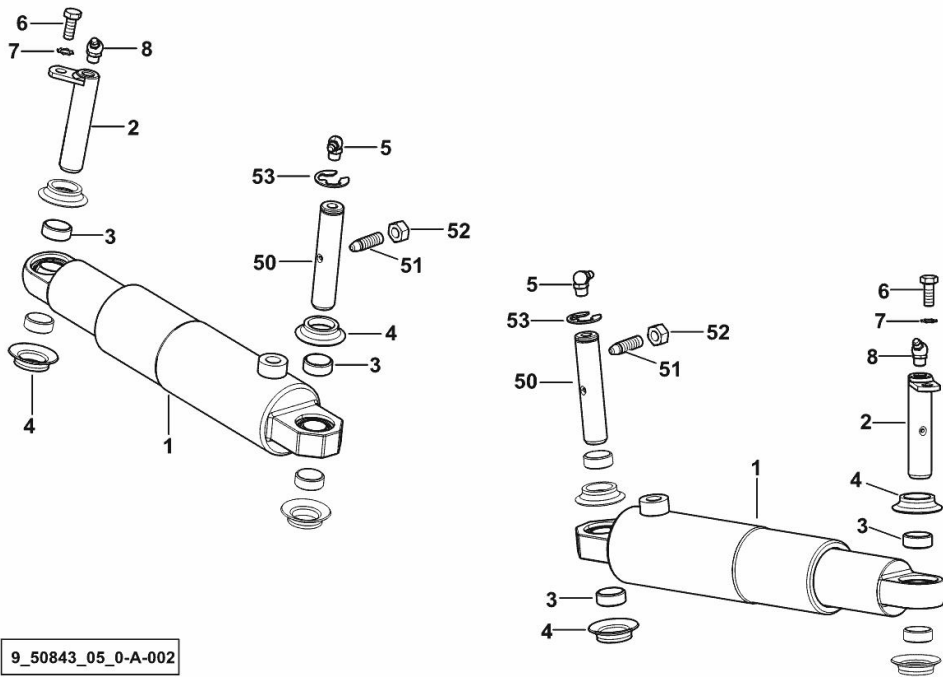
**4WD - POWER STEERING CYLINDER**

Fig.	P/n	QTY	Name
------	-----	-----	------

**Notes:**

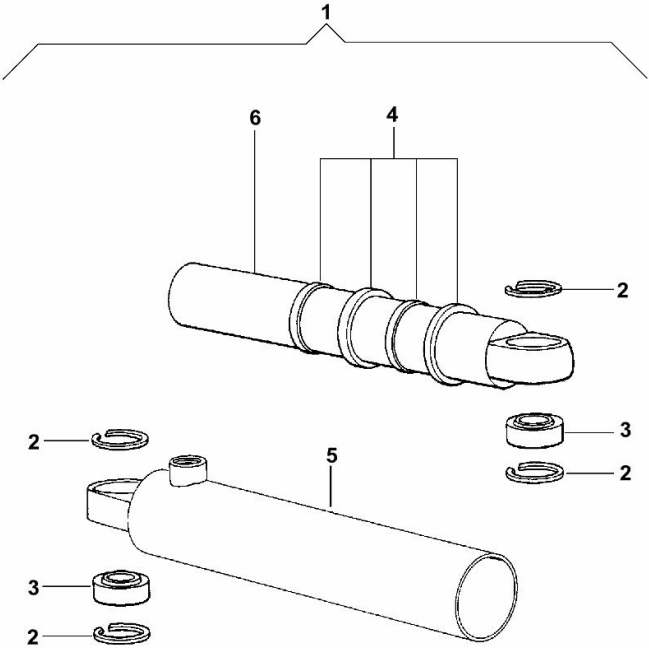
[R3 100 TB ->1001] -> 1080

1	0.007.2706.4/10	2	jack ☞ 0.007.2706.4/10
2	0.016.1031.2	2	piston pin
3	2.1579.739.0	8	spacer 21x25x10
4	0.270.6351.0	8	rubber ring
5	2.3821.303.2	2	grease gun m 10 p.1
6	2.0119.326.2/10	2	screw m 8 p 1.25 x 20
7	2.1470.004.2	2	lock washer 8
8	2.3821.103.2	2	grease gun m 10 p.1x10
50	0.016.1051.0/10	2	piston pin
51	2.0399.378.2/10	2	screw m 10 p.1x35
52	2.1011.406.2	2	nut m 10 p.1
53	2.1430.013.7	2	circlip 15



**CYLINDER PARTS**

Fig.	P/n	QTY	Name
1	0.007.2706.4/10	1	jack
2	2.1423.026.1	4	shoulder ring
3	0.176.6371.0	2	cap
4	0.008.4591.1	1	seal ring kit
5	0.000.0000.1		cannot be supplied
6	0.008.4601.1	1	stem



**Buy Now**



Our support email:

[ebooklibonline@outlook.com](mailto:ebooklibonline@outlook.com)