

REDUCTION GEAR CONTROL

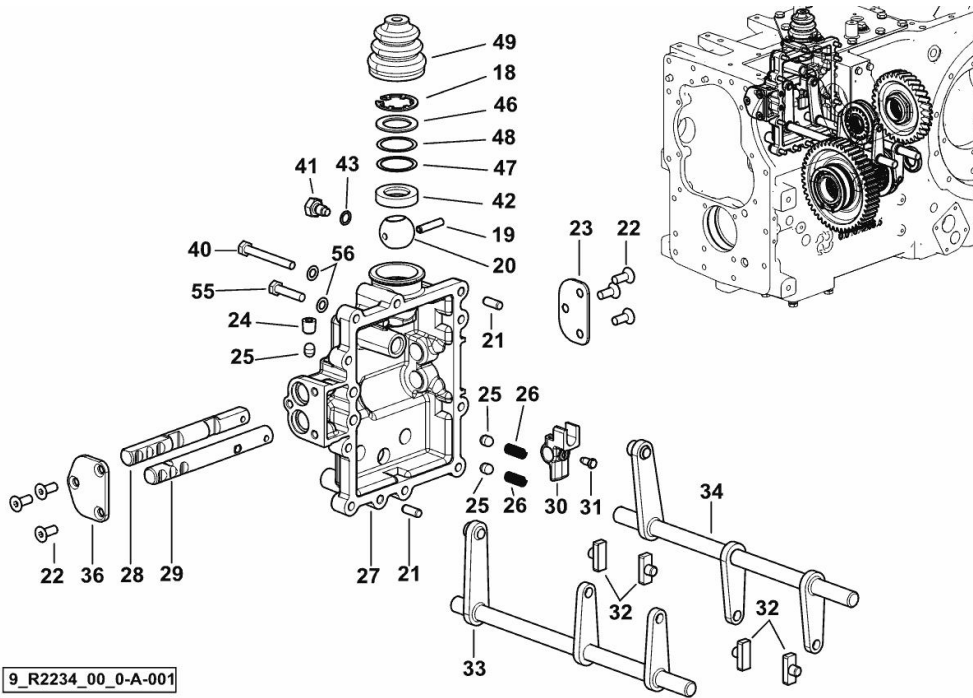


Fig.	P/n	QTY	Name
------	-----	-----	------

Notes:

[R3 100 TB ->5001]

18	2.1499.054.1	1	circlip 42
19	2.1631.515.9	1	roll pin 6 x 32
20	0.255.6461.0	1	ball
21	2.1651.709.0	2	pin 8x20
22	2.0342.305.3	6	screw m 8 x 20
23	0.013.5465.0/10	1	plate
24	2.3131.001.4	1	plug m 12 p.1.5
25	2.1699.159.0	3	cap 10 x 14.1
26	2.4019.622.1	2	spring 6.3 x 9.5 x 1.6 x 22.4
27	0.013.5466.0	1	cover
28	0.013.5459.0	1	rod
29	0.013.5460.0	1	rod
30	0.013.5458.0	1	small lever
31	2.0399.019.1	1	screw m 8 p.1 x 16
32	0.255.6463.0	4	shoe
33	0.014.8304.2/10	1	fork
34	0.014.8303.2/20	1	fork
36	0.013.5464.0/10	1	plate
40	2.0112.222.2	1	screw m 8 p.1.25x65
41	2.0119.124.2	1	screw m 10 x 16
42	0.255.6462.0/10	1	spacer
43	2.1560.005.0	1	copper gasket 10.2 x 14
46	2.1599.429.0	1	shoulder ring 28x41.5
47	2.1580.115.0	1	shim 32.5x40x0.5
48	2.1580.114.0	1	shim 32.5x40x0.2
49	0.159.6415.0/10	1	guard
55	2.0112.213.2	8	screw m 8 p.1.25 x 35
56	2.1481.007.2	9	washer 8

SPEED RANGE REDUCTION GEAR UNIT

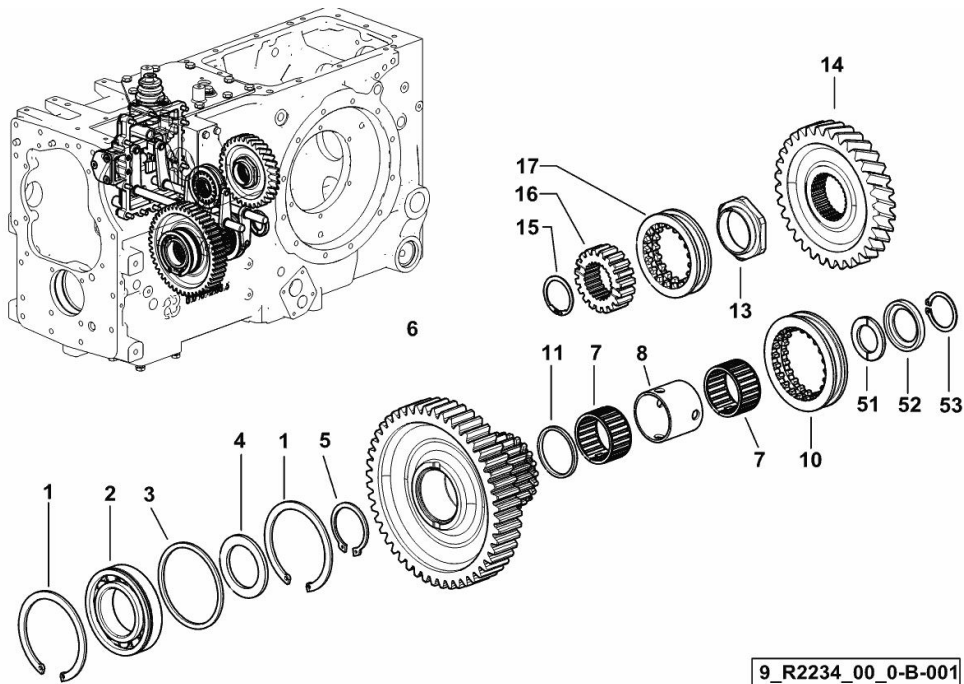


Fig.	P/n	QTY	Name
------	-----	-----	------

Notes:

[R3 100 TB ->5001]

1	2.1411.036.1	2	circlip 90
2	2.2999.203.0	1	special bearing 50 x 90 x 20
3	2.1599.538.0	1	shoulder ring 80x89.5x3
4	2.1589.323.0	1	shoulder ring 45x65x4
5	2.1412.017.7	1	circlip 45
6	0.010.8998.0/20	1	gear z=48 z=22
7	2.2999.366.0	2	roller cage
8	2.1549.399.0/10	1	spacer
10	0.014.3116.0/10	1	sleeve
11	2.1549.413.0	1	spacer 47x52.8x4
13	2.1219.052.7/10	1	ring nut m 45 p.1.5
14	0.010.0843.0/20	1	gear z = 33
15	2.1419.067.0	1	circlip 35 x 1.5
16	0.255.3455.0	1	hub Z = 19
17	0.255.3438.0/20	1	sleeve Z = 19
51	0.008.5607.0/20	1	slewing ring
52	0.008.4481.0	1	ring
53	2.1410.014.1	1	circlip 35

9_R2234_00_0-B-001

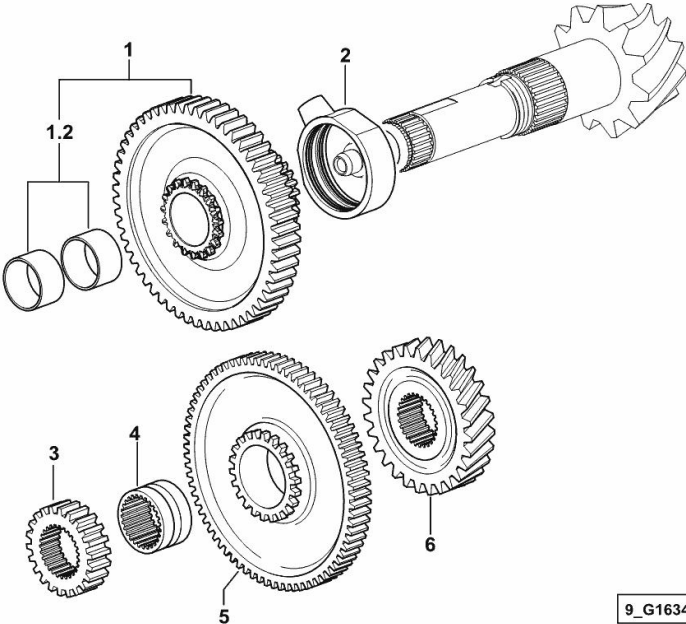
4-RANGE BOX

Fig.	P/n	QTY	Name
------	-----	-----	------

Notes:

[R3 100 TB ->5001]

1	0.010.9013.3/10	1	gear z=56 z=26 z=19
1.2	2.1559.176.0	2	special bushing 40x44x25
2	0.007.3550.0	1	manifold
3	0.010.9008.0	1	hub Z = 22
4	0.010.9004.0/20	1	special bushing
5	0.010.9003.0	1	gear z=75 z=22
6	0.010.9006.0/10	1	gear Z = 28



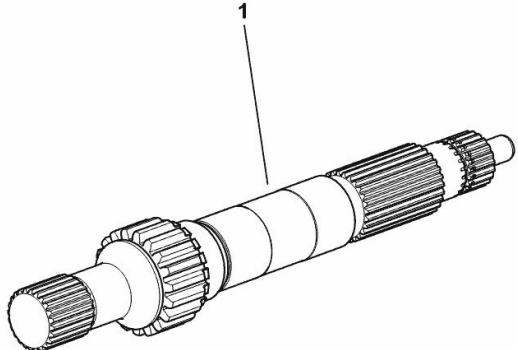
9_G1634_08_0-A-001

SPEED RANGE REDUCTION GEAR SHAFT

Fig.	P/n	QTY	Name
------	-----	-----	------

Notes:
[R3 100 TB ->5001]

1	0.010.8996.0/10	1	reduction unit shaft
---	-----------------	---	----------------------



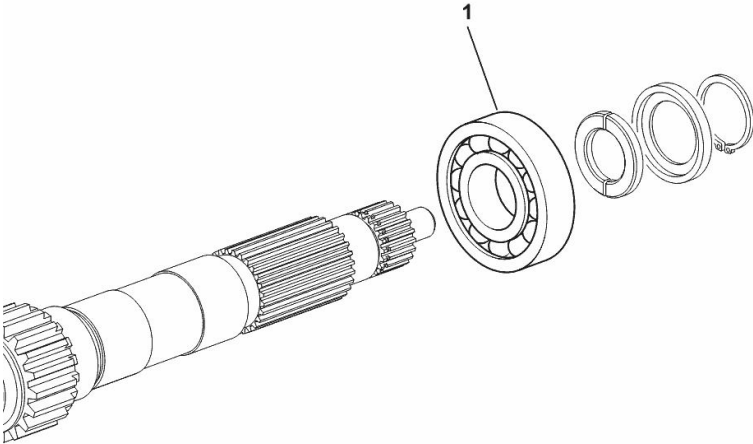
9_H1334_01_0-A-001

BEARING FOR RANGE GEARBOX SHAFT

Fig.	P/n	QTY	Name
------	-----	-----	------

Notes:
[R3 100 TB ->5001]

1	2.2060.011.0	1	ball bearing 35 x 80 x 21
---	--------------	---	---------------------------



9_61434_03_0-A-001

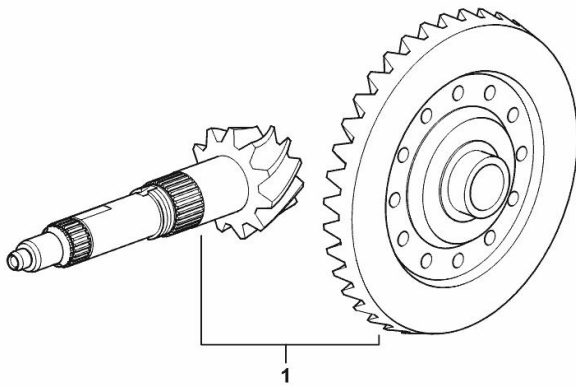
BEVEL WHEEL GEAR Z = 10 / Z = 39

Fig.	P/n	QTY	Name
------	-----	-----	------

Notes:

[R3 100 TB ->5001]

1	0.008.5554.3/50	1	bevel drive Z = 10 / Z = 39
---	-----------------	---	-----------------------------



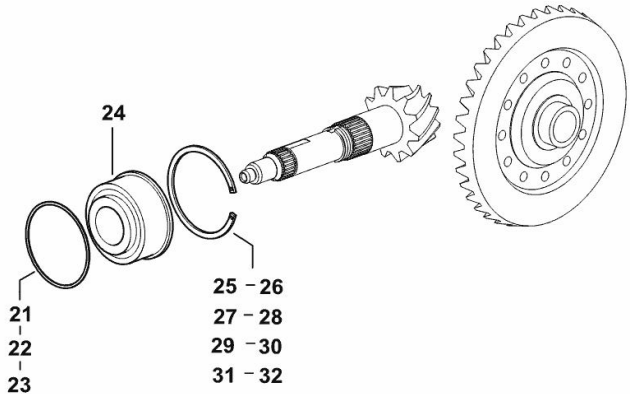
9_62035_02_0-A-001

BEVEL DRIVE PINION BEARING

Fig.	P/n	QTY	Name
------	-----	-----	------

Notes:
[R3 100 TB ->5001]

21	2.1589.167.0	1	shoulder ring 105 x 112 x 0.15
22	2.1589.168.0	1	shoulder ring 105 x 112 x 0.1
23	2.1589.169.0	1	shoulder ring 105 x 112 x 0.5
24	2.2999.502.0/10	1	special bearing
25	2.1499.061.1	0.12	circlip 120x3.4
26	2.1499.062.1	0.12	circlip 120x3.5
27	2.1499.063.1	0.12	circlip 120x3.6
28	2.1499.064.1	0.12	circlip 120x3.7
29	2.1499.065.1	0.12	circlip 120x3.8
30	2.1499.066.1	0.12	circlip 120x3.9
31	2.1499.067.1	0.12	circlip 120x4
32	2.1499.068.1	0.12	circlip 120x4.1



9_R2235_00_0-B-001

Buy Now



Our support email:

ebooklibonline@outlook.com