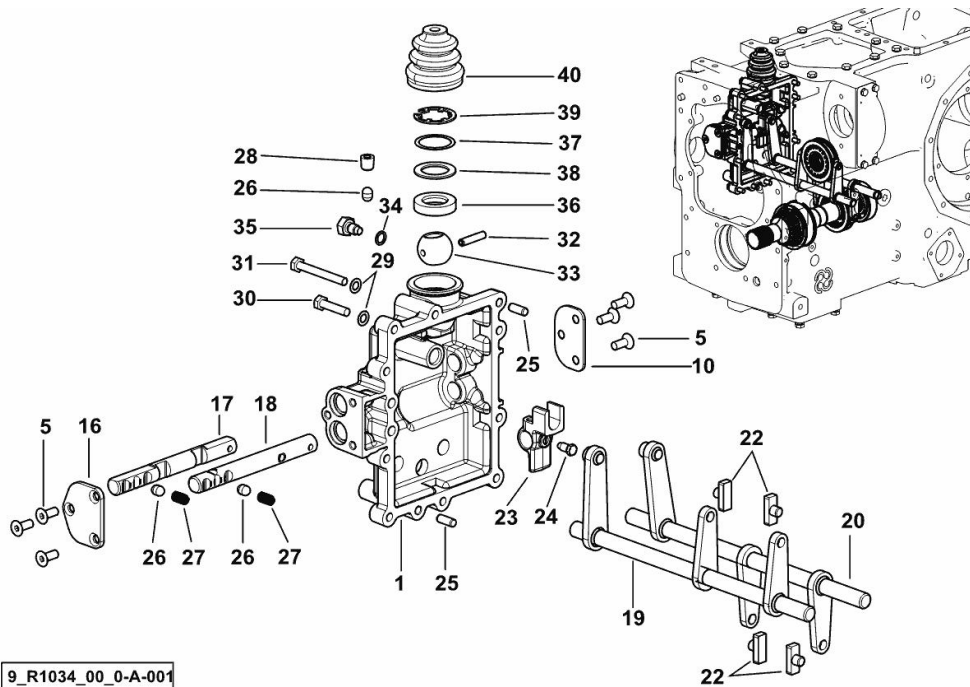


REDUCTION GEAR CONTROL

Fig.	P/n	QTY	Name
------	-----	-----	------

Notes:

[R3 85 T 2WD ->1001] [R3 85 T 4WD ->1001]



9_R1034_00_0-A-001

1	0.013.5466.0	1	cover
5	2.0342.305.3	6	screw m 8 x 20
10	0.013.5465.0/10	1	plate
16	0.013.5464.0/10	1	plate
17	0.013.5459.0	1	rod
18	0.013.5460.0	1	rod
19	0.255.6438.2/10	1	fork
20	0.013.5359.2/10	1	fork
22	0.255.6463.0	4	shoe
23	0.013.5458.0	1	small lever
24	2.0399.019.1	1	screw m 8 p.1 x 16
25	2.1651.709.0	2	pin 8x20
26	2.1699.159.0	3	cap 10 x 14.1
27	2.4019.622.1	2	spring 6.3 x 9.5 x 1.6 x 22.4
28	2.3131.001.4	1	plug m 12 p.1.5
29	2.1481.007.2	9	washer 8
30	2.0112.213.2	8	screw m 8 p.1.25 x 35
31	2.0112.222.2	1	screw m 8 p.1.25x65
32	2.1631.515.9	1	roll pin 6 x 32
33	0.255.6461.0	1	ball
34	2.1560.005.0	1	copper gasket 10.2 x 14
35	2.0119.124.2	1	screw m 10 x 16
36	0.255.6462.0/10	1	spacer
37	2.1580.115.0	1	shim 32.5x40x0.5
38	2.1599.429.0	1	shoulder ring 28x41.5
39	2.1499.054.1	1	circlip 42
40	0.159.6415.0/10	1	guard

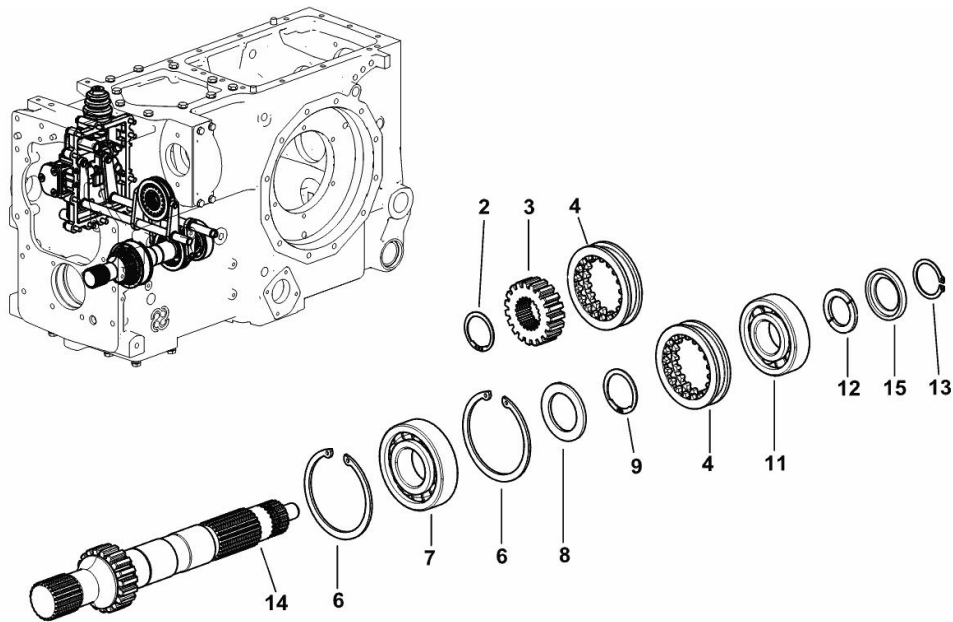
SPEED RANGE REDUCTION GEAR UNIT

Fig.	P/n	QTY	Name
------	-----	-----	------

Notes:

[R3 85 T 2WD ->1001] [R3 85 T 4WD ->1001]

2	2.1419.067.0	1	circlip 35 x 1.5
3	0.255.3439.0	1	hub Z = 19 / Z = 21
4	0.255.3438.0/20	2	sleeve Z = 19
6	2.1411.036.1	2	circlip 90
7	2.2060.012.0	1	ball bearing 40 x 90 x 23
8	0.255.3450.0	1	shoulder ring 40 x 60 x 3.5
9	2.1499.034.1	1	circlip 40 x 1.75
11	2.2060.011.0	1	ball bearing 35 x 80 x 21
12	0.008.4480.0/20	1	shoulder
13	2.1410.014.1	1	circlip 35
14	0.255.3410.0/40	1	reduction unit shaft
15	0.008.4481.0	1	ring



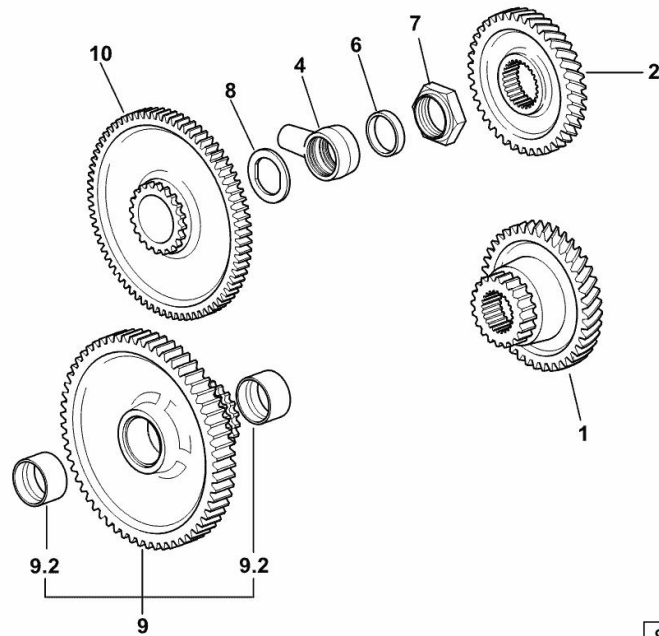
9_R1034_00_0-B-001

3-RANGE BOX

Fig.	P/n	QTY	Name
------	-----	-----	------

Notes:

[R3 85 T 2WD ->1001] [R3 85 T 4WD ->1001]



9_L6134_01_0-A-001

1	0.255.3435.0/10	1	gear z=40 z=19
2	0.255.3436.0	1	gear Z = 39
4	0.007.3556.0	1	manifold
6	2.1579.910.0	1	spacer 35.3x40.9x8
7	0.255.3451.0/10	1	ring nut m 38 x 1.5
8	0.255.3452.0	1	shoulder
9	0.255.3434.3/10	1	gear z=59 z=19
9.2	2.1559.176.0	2	special bushing 40x44x25
10	0.255.3437.0	1	gear z = 59 - 19

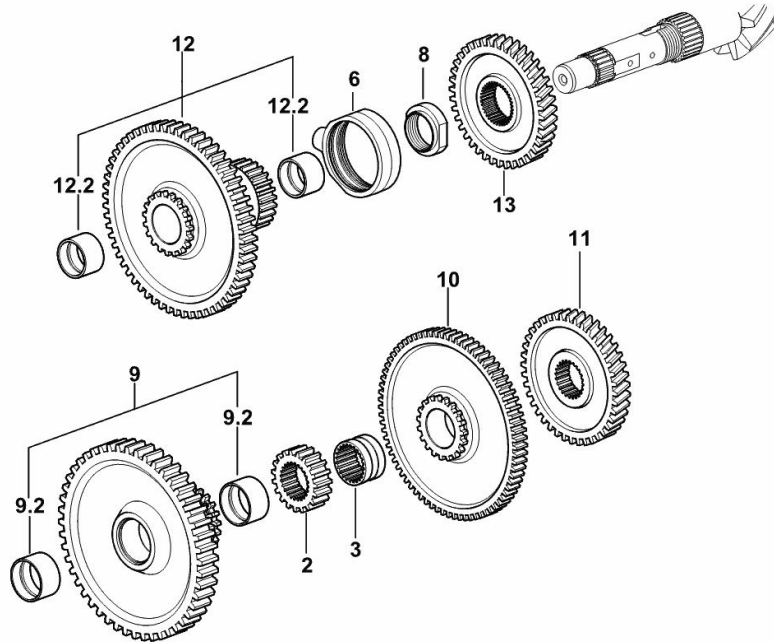
4-RANGE BOX

Fig.	P/n	QTY	Name
------	-----	-----	------

Notes:

[R3 85 T 2WD ->1001] [R3 85 T 4WD ->1001]

2	0.255.3455.0	1	hub Z = 19
3	0.255.3458.0/20	1	special bushing
6	0.007.3550.0	1	manifold
8	0.255.3454.0/20	1	ring nut m 38 x 1.5
9	0.255.3434.3/10	1	gear z=59 z=19
9.2	2.1559.176.0	2	special bushing 40x44x25
10	0.255.3456.0/10	1	gear z = 75 - 19
11	0.255.3457.0	1	gear z = 40
12	0.255.3453.3/30	1	gear Z = 59 / Z = 26
12.2	2.1559.182.0	2	special bushing 35x40x25
13	0.255.3436.0	1	gear Z = 39



9_50834_02_0-A-001

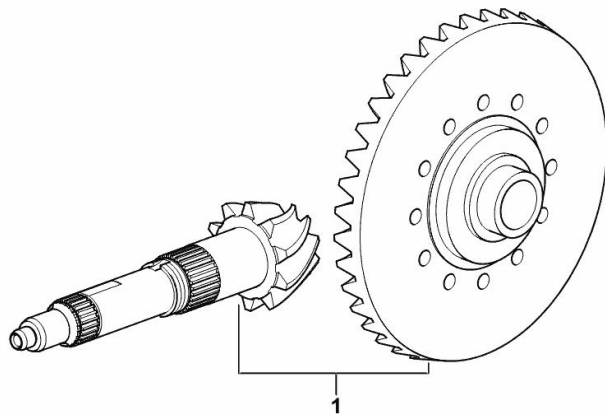
BEVEL WHEEL GEAR $z = 14 - z = 59$

Fig.	P/n	QTY	Name
------	-----	-----	------

Notes:

[R3 85 T 2WD ->1001] [R3 85 T 4WD ->1001]

1	0.015.0279.3/20	1	bevel drive $z = 14 - z = 59$
---	-----------------	---	-------------------------------



9_H1235_02_0-A-001

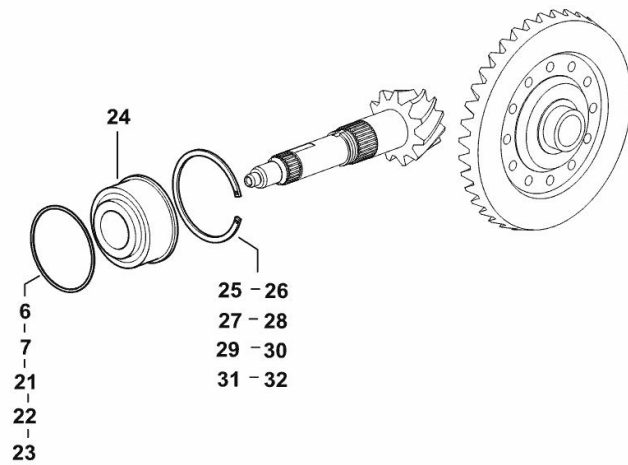
BEVEL DRIVE PINION BEARING

Fig.	P/n	QTY	Name
------	-----	-----	------

Notes:

[R3 85 T 2WD ->1001] [R3 85 T 4WD ->1001]

6	2.1589.122.0	1	shoulder ring 100.5x107x0.50
7	2.1589.123.0	1	shoulder ring 100.5x107x0.55
21	2.1589.119.0	1	shoulder ring 100.5x107x0.30
22	2.1589.120.0	1	shoulder ring 100.5x107x0.35
23	2.1589.121.0	1	shoulder ring 100.5x107x0.40
24	2.2999.155.0	1	special bearing
25	2.1499.044.1	0.12	circlip 115x3.4
26	2.1499.045.1	0.12	circlip 115x3.5
27	2.1499.046.1	0.12	circlip 115x3.6
28	2.1499.047.1	0.12	circlip 115x3.7
29	2.1499.048.1	0.12	circlip 115x3.8
30	2.1499.049.1	0.12	circlip 115x3.9
31	2.1499.050.1	0.12	circlip 115x4.0
32	2.1499.051.1	0.12	circlip 115x4.1



9_H1235_00_0-B-001

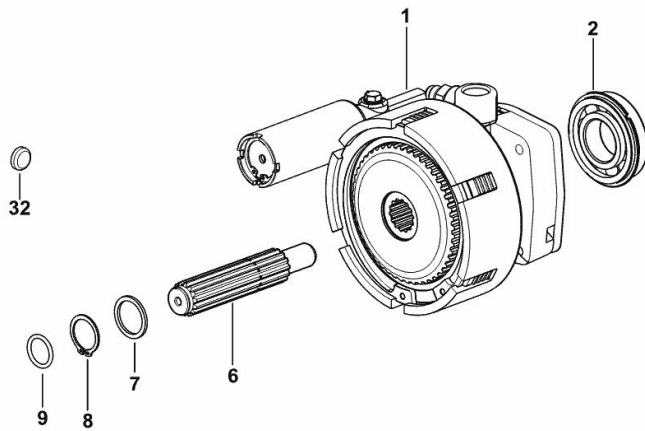
P.T.O. - HYDRAULIC CLUTCH

Fig.	P/n	QTY	Name
------	-----	-----	------

Notes:

[R3 85 T 2WD ->1001] [R3 85 T 4WD ->1001]

1	0.014.9936.4/10	1	hydraulic PTO clutch ☞ 0.014.9936.4/10
2	2.2043.009.0	1	ball bearing 30x62x16
6	0.255.3930.0/40	1	shaft
7	2.1599.761.0	1	slewing ring 24x30x2
8	2.1410.009.1	1	circlip 24
9	2.1530.048.0	1	oil seal 18.72x2.62
32	2.3171.006.4	1	plug Ø 16



9_H1239_02_0-A-001

Buy Now



Our support email:

ebooklibonline@outlook.com