

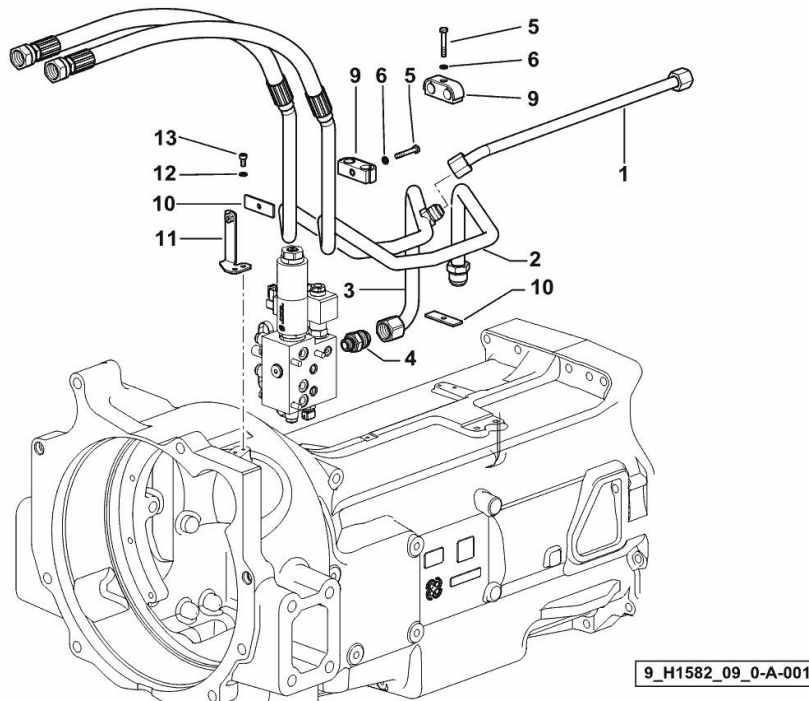
GEARBOX OIL COOLER PIPES

Fig.	P/n	QTY	Name
------	-----	-----	------

Notes:

[R3 EVO 100 -> 5001 2WD] [R3 EVO 100 -> 5001 4WD]

1	0.015.1369.3	1	tube
2	0.015.1368.3/10	1	tube
3	0.015.1367.3/10	1	tube
4	2.3249.148.2	1	pipe fitting m 18 - 1/16" JIC
5	2.0112.015.2	2	screw m 6 p.1x40
6	2.1310.002.2	2	flat washer 6.4x12.5
9	2.3320.221.0	2	terminal Ø 20/20
10	0.014.0497.0	2	small plate
11	0.015.1914.3/10	1	bracket
12	2.1480.012.2	2	washer 6, d128
13	2.0312.102.2	2	screw m 6 p.1 x 12



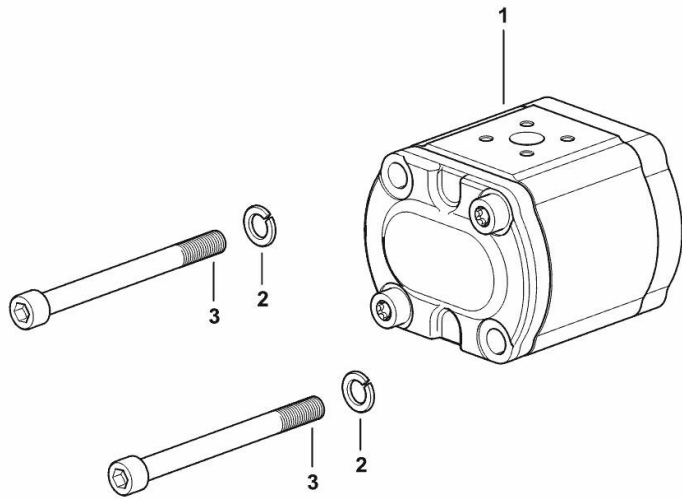
HYDRAULIC PUMP 19 cc - sx/lh/li

Fig.	P/n	QTY	Name
------	-----	-----	------

Notes:

[R3 EVO 100 -> 5001 4WD] 5001 <-

1	2.4539.090.0	1	hydraulic pump 19cc sx/lh/li - BOSCH ☞ 2.4539.090.0
2	2.1474.010.2	2	washer 10
3	2.0169.017.2	2	screw m 10 p.1.5x115



9_F0282_03_0-A-001

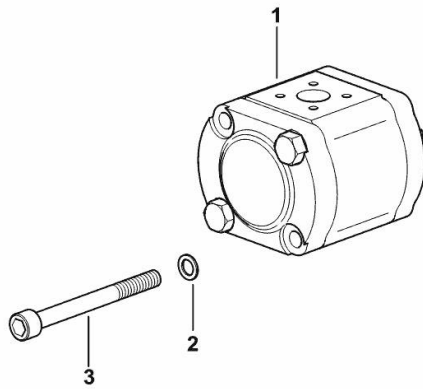
HYDRAULIC PUMP 14 cc - sx/lh/li

Fig.	P/n	QTY	Name
------	-----	-----	------

Notes:

[R3 EVO 100 -> 5001 2WD] [R3 EVO 100 -> 5001 4WD] -> 5002

1	2.4539.120.0/10	1	hydraulic pump 14 cc sx/lh/li - BOSCH - ☞ 2.4539.120.0/10
2	2.1474.010.2	2	washer 10
3	2.0169.018.2	2	screw m 10 p.1.5x105



9_C1282_02_0-A-001

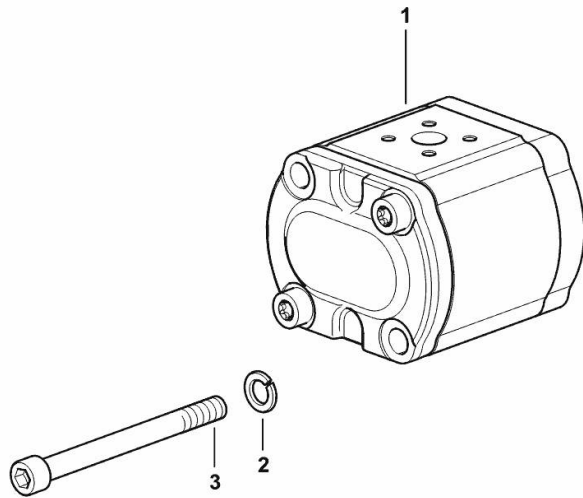
HYDRAULIC PUMP 22.5 cc - dx/rh/re

Fig.	P/n	QTY	Name
------	-----	-----	------

Notes:

[R3 EVO 100 -> 5001 2WD] [R3 EVO 100 -> 5001 4WD]

1	2.4539.620.0/10	1	hydraulic pump 22.5 cc dx/rh/re - BOSCH - ☞ 2.4539.620.0/10
2	2.1480.015.2	2	washer 10
3	2.0169.019.2	2	screw m 10x135



9_21082_01_0-A-001

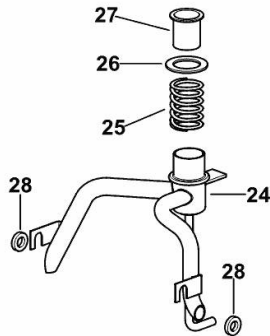
BRAKES LUBRICATION PIPE

Fig.	P/n	QTY	Name
------	-----	-----	------

Notes:

[R3 EVO 100 -> 5001 2WD] [R3 EVO 100 -> 5001 4WD]

24	0.007.7035.2	1	tube
25	2.4019.609.2	1	spring 33x38x2.5x40
26	2.1549.231.2	1	spacer 27.5x42x2
27	0.009.6671.0	1	tube
28	2.1599.210.0/10	2	spacer 10.5x19x4



9_H1531_00_0-B-001

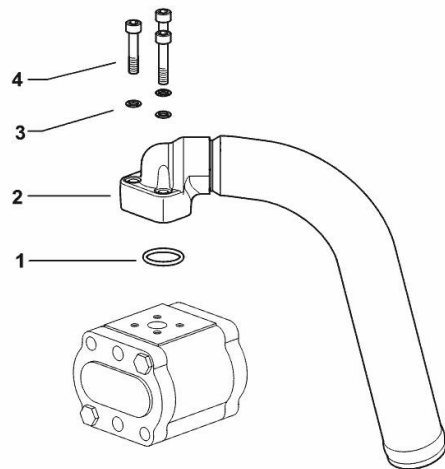
PUMP FILTER SUCTION

Fig.	P/n	QTY	Name
------	-----	-----	------

Notes:

22.5 cc - dx/rh/re [R3 EVO 100 -> 5001 2WD] 22.5 cc - dx/rh/re [R3 EVO 100 -> 5001 4WD]

1	2.1531.058.0	1	oil seal 22.22x2.62
2	0.015.1262.3	1	tube
3	2.1480.012.2	3	washer 6, d128
4	2.0312.110.2	3	screw



9_H1582_01_0-A-001

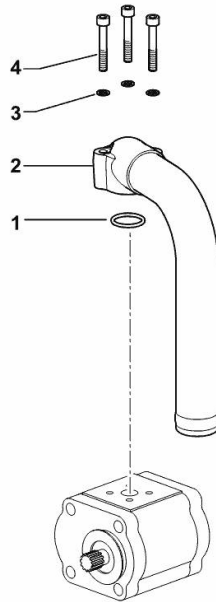
PUMP FILTER SUCTION

Fig.	P/n	QTY	Name
------	-----	-----	------

Notes:

FOR HYDROSTATIC STEERING [R3 EVO 100 -> 5001 2WD] FOR HYDROSTATIC STEERING [R3 EVO 100 -> 5001 4WD]

1	2.1531.058.0	1	oil seal 22.22x2.62
2	0.015.1265.3	1	tube
3	2.1480.012.2	3	washer 6, d128
4	2.0312.114.2	3	screw m 6 p.1x40



9_H1582_02_0-A-001

Buy Now



Our support email:

ebooklibonline@outlook.com