

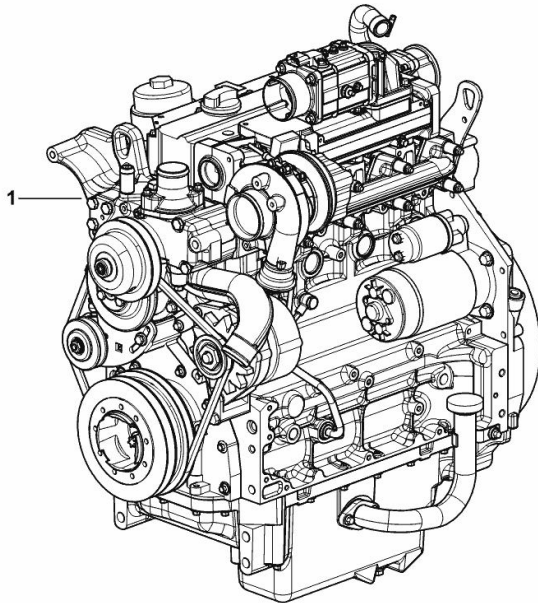
**ENGINE**

| Fig. | P/n | QTY | Name |
|------|-----|-----|------|
|------|-----|-----|------|

**Notes:**

[R3 EVO 110 -&gt; 1001]

|   |          |   |   |
|---|----------|---|---|
| 1 | 25007909 | 1 | engine TCD 2012 L04 2V<br>ON ORDERING PLEASE<br>ENGINE NO. REQUIRED |
|---|----------|---|---|



9\_O2119\_01\_0-A-001

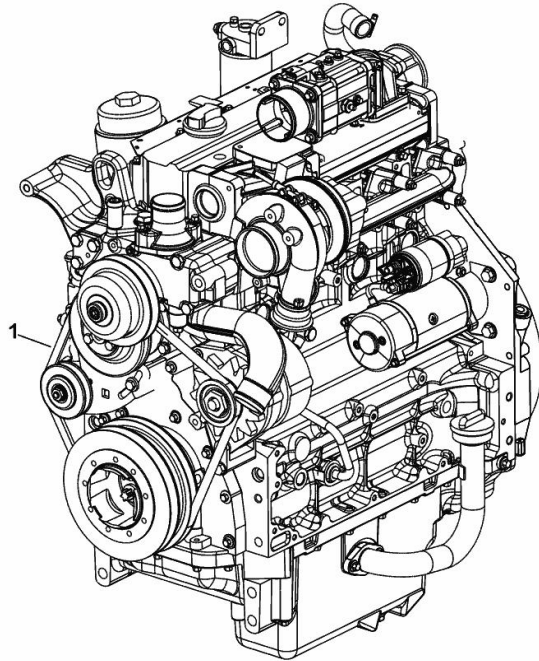
**ENGINE**

| Fig. | P/n | QTY | Name |
|------|-----|-----|------|
|------|-----|-----|------|

**Notes:**

- NOT FOR EUROPEAN MARKET [R3 EVO 110 -> 1001]

|   |          |   |   |
|---|----------|---|---|
| 1 | 25009699 | 1 | engine<br>ON ORDERING PLEASE<br>ENGINE NO. REQUIRED |
|---|----------|---|---|



9\_O2119\_05\_0-A-001

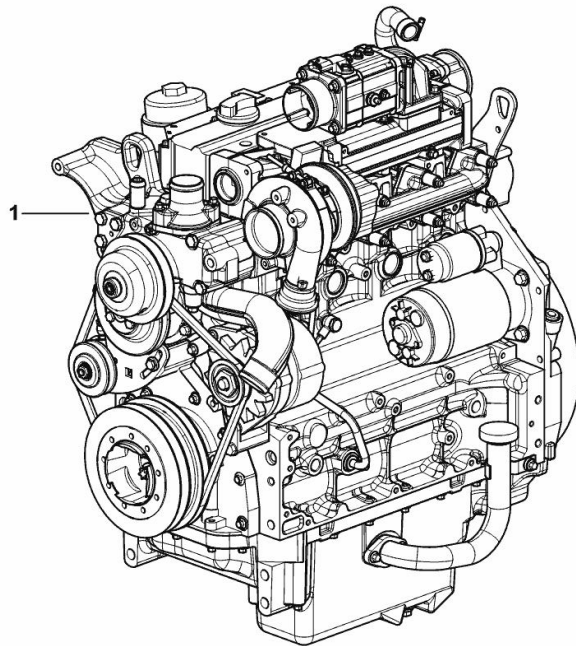
**ENGINE**

| Fig. | P/n | QTY | Name |
|------|-----|-----|------|
|------|-----|-----|------|

**Notes:**

EXPORT USA [R3 EVO 110 -> 1001]

|   |          |   |   |
|---|----------|---|---|
| 1 | 25009813 | 1 | engine<br>ON ORDERING PLEASE<br>ENGINE NO. REQUIRED |
|---|----------|---|---|



9\_O2119\_07\_0-A-001

Section: B0 - ENGINE

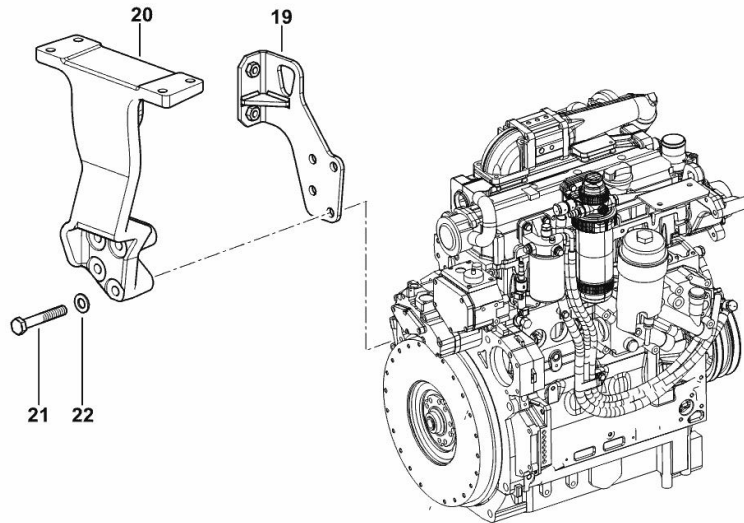
**SUPPORTS**

| Fig. | P/n | QTY | Name |
|------|-----|-----|------|
|------|-----|-----|------|

**Notes:**

[R3 EVO 110 -&gt; 1001]

|    |                 |   |                     |
|----|-----------------|---|---------------------|
| 19 | 0.014.9247.3/20 | 1 | bracket             |
| 20 | 0.010.6442.0/10 | 1 | bracket             |
| 21 | 2.0112.322.2    | 4 | screw m 10 p.1.5x65 |
| 22 | 2.1475.003.2    | 4 | washer 10           |



9\_O3016\_01\_0-B-001

**FASTENINGS**

| Fig. | P/n | QTY | Name |
|------|-----|-----|------|
|------|-----|-----|------|

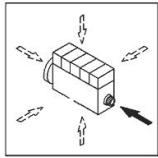
**Notes:**

[R3 EVO 110 -> 1001]

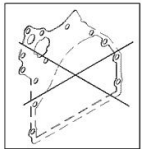
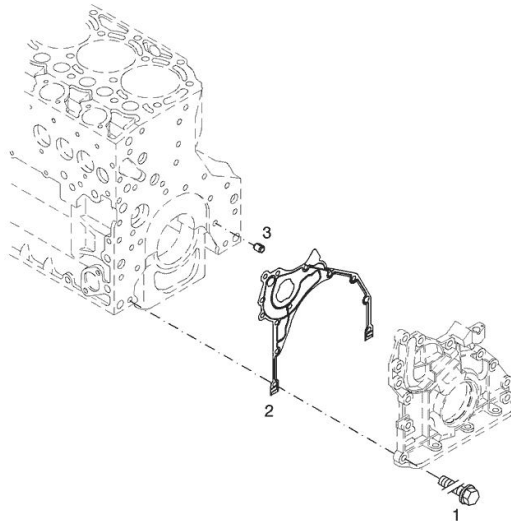
**Engine serial number:**

10575090 10642979 10715960 10715963 10715970 10723283 10756600 10756603 10765707 10765716 10765717  
 10765718 10775408 10775412 10776061 10776063 10782134 10793423 10793427 10793430 10796880 10796883  
 10796886 10796889 10798305 10798315 10805878 10805879 10805880 10805881 10805882 10813817 10817188  
 10817189 10817198 10817200 10822116 10832318 10832330 10834527 10837279 10842428 10842432 10842723  
 10842725 10844771 10857646 10857647 10857648 10857649 10857652 10857653 10860852 10863562 10863563  
 10863564 10863566 10869452 10869453 10871225 10872477 10876210 10876212 10876906 10876908 10877949  
 10877954 10877955 10877956 10877957 10877959 10877966 10881228 10888721 10893866 10895886 10913946  
 10913954 10913976 10913977 10913980 10923775 10923787 10931426 10955606 10957253 10957255 10963889  
 10965520 10975562 10986899 10986901 10986902 11007987 11021437 11035805 11042407 11045950 11046425  
 11046428 11047444 11048340 11055410 11060599 11085623 11085810 11091726 11091728 11124207 11124208  
 11124226 11124232 11125067 11125613 11130282 11130283 11140626 11150346 11155376 11155377 11159421  
 11163154 11165480 11165481 11165483 11173998 11177769 11177770 11181615 11185050 11185051 11185864  
 11185865 11192793 11197340 11204262 11204263 11212327 11212330 11212347 11213658

|   |          |    |                                       |
|---|----------|----|---------------------------------------|
| 1 | 01183645 | 12 | screw<br>EN 1662 -F-M8X35-10.9-ZNAL-A |
| 2 | 04504325 | 1  | gasket                                |
| 3 | 01181406 | 1  | bushing<br>H 2341 -B11X8-FE/ZN12C*    |



003 ©



Section: B0 - ENGINE

**BLEEDING TUBE**

| Fig. | P/n | QTY | Name |
|------|-----|-----|------|
|------|-----|-----|------|

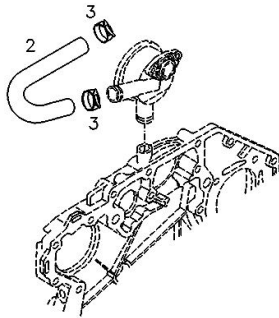
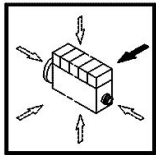
**Notes:**

[R3 EVO 110 -> 1001]

**Engine serial number:**

10642979 10715960 10715963 10715970 10723283 10756600 10756603 10765707 10765716 10765717 10765718  
 10775408 10775412 10776061 10776063 10782134 10793423 10793427 10793430 10796880 10796883 10796886  
 10796889 10798305 10798315 10805878 10805879 10805880 10805881 10805882 10813817 10817188 10817189  
 10817198 10817200 10822116 10832318 10832330 10834527 10837279 10842428 10842432 10842723 10842725  
 10844771 10857646 10857647 10857648 10857649 10857652 10857653 10860852 10863562 10863563 10863564  
 10863566 10869452 10869453 10871225 10872477 10876210 10876212 10876906 10876908 10877949 10877954  
 10877955 10877956 10877957 10877959 10877966 10881228 10888721 10893866 10895886 10913946 10913954  
 10913976 10913977 10913980 10923775 10923787 10931426 10955606 10957253 10957255 10963889 10965520  
 10975562 10986899 10986901 10986902 11007987 11021437 11035805 11042407 11045950 11046425 11046428  
 11047444 11048340 11055410 11060599 11085623 11085810 11091726 11091728 11124207 11124208 11124226  
 11124232 11125067 11125613 11130282 11130283 11140626 11150346 11155376 11155377 11159421 11163154  
 11165480 11165481 11165483 11173998 11177769 11177770 11181615 11185050 11185051 11185864 11185865  
 11192793 11197340 11204262 11204263 11212327 11212330 11212347 11213658

000 ©



|   |          |   |                            |
|---|----------|---|----------------------------|
| 2 | 04258132 | 1 | tube                       |
| 3 | 01178750 | 2 | clamp<br>DIN 3021 -A-29X15 |

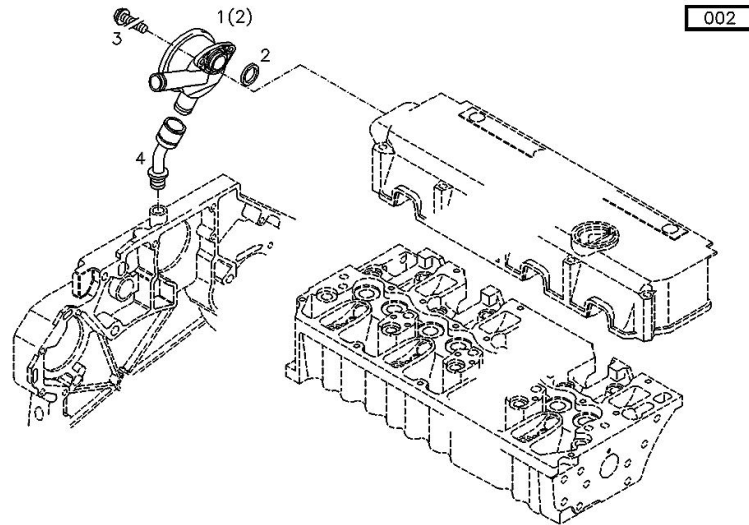
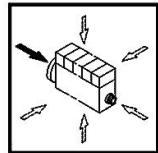
Section: B0 - ENGINE  
**CRANKCASE BREATHER**

| Fig. | P/n | QTY | Name |
|------|-----|-----|------|
|------|-----|-----|------|

Notes:  
 [R3 EVO 110 -> 1001]

**Engine serial number:**

10575090 10642979 10715960 10715963 10715970 10723283 10756600 10756603 10765707 10765716 10765717  
 10765718 10775408 10775412 10776061 10776063 10782134 10793423 10793427 10793430 10796880 10796883  
 10796886 10796889 10798305 10798315 10805878 10805879 10805880 10805881 10805882 10813817 10817188  
 10817189 10817198 10817200 10822116 10832318 10832330 10834527 10837279 10842428 10842432 10842723  
 10842725 10844771 10857646 10857647 10857648 10857649 10857652 10857653 10860852 10863562 10863563  
 10863564 10863566 10869452 10869453 10871225 10872477 10876210 10876212 10876906 10876908 10877949  
 10877954 10877955 10877956 10877957 10877959 10877966 10881228 10888721 10893866 10895886 10913946  
 10913954 10913976 10913977 10913980 10923775 10923787 10931426 10955606 10957253 10957255 10963889  
 10965520 10975562 10986899 10986901 10986902 11007987 11021437 11035805 11042407 11045950 11046425  
 11046428 11047444 11048340 11055410 11060599 11085623 11085810 11091726 11091728 11124207 11124208  
 11124226 11124232 11125067 11125613 11130282 11130283 11140626 11150346 11155376 11155377 11159421  
 11163154 11165480 11165481 11165483 11173998 11177769 11177770 11181615 11185050 11185051 11185864  
 11185865 11192793 11197340 11204262 11204263 11212327 11212330 11212347 11213658



|     |          |   |  |
|-----|----------|---|--|
| 1   | 04203321 | 1 | valve<br>WITH POS.... (2)  |
| 2   | 04206233 | 1 | gasket   |
| 3   | 01148431 | 2 | screw<br>- FROM THE MONTH OF ASSEMBLY SEE POS. ( B ) -<br>UP TO THE MONTH OF ASSEMBLY ( A ) FROM THE<br>MONTH OF ASSEMBLY A = 09.1995 B = POS. 950<br>ISO 4762 -M6X20-8.8-ZNAL-A |
| 4   | 04207290 | 1 | pipng  |
| 5   | 01124654 | 2 | washer 6,4 d433<br>ISO 7092 -6-140HV-A4C*  |
| 950 | 01181965 | 2 | screw<br>- UP TO MONTH OF ASSEMBLY ( A ) - FROM MONTH<br>OF ASSEMBLY SEE POS. ( B ) A = 08.1995 B = POS. 3<br>EN 1662 -F-M6X20-10.9-ZNAL-A                                       |

0507 1876

**Buy Now**



Our support email:

[ebooklibonline@outlook.com](mailto:ebooklibonline@outlook.com)