

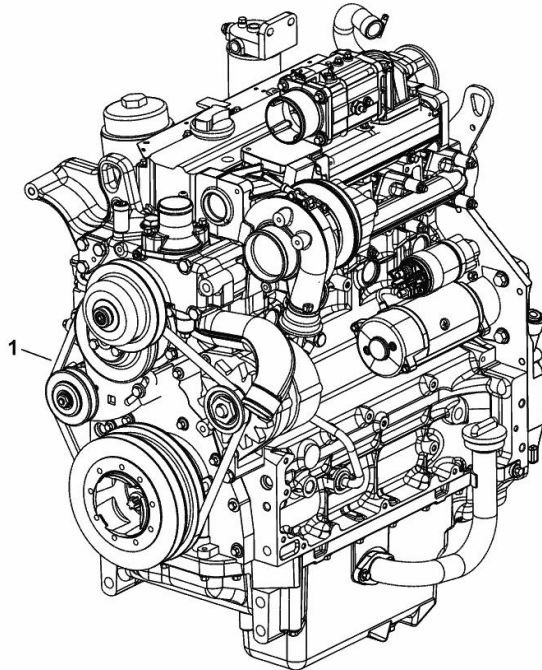
**ENGINE**

Fig.	P/n	QTY	Name
------	-----	-----	------

**Notes:**

- NOT FOR EUROPEAN MARKET [R3 EVO 110 2WD -> ZKDW410100TL25001] - NOT FOR EUROPEAN MARKET [R3 EVO 110 4WD -> ZKDW410200TL25001]

1	25009695	1	engine ON ORDERING PLEASE ENGINE NO. REQUIRED
---	----------	---	---



9\_O2119\_06\_0-A-001

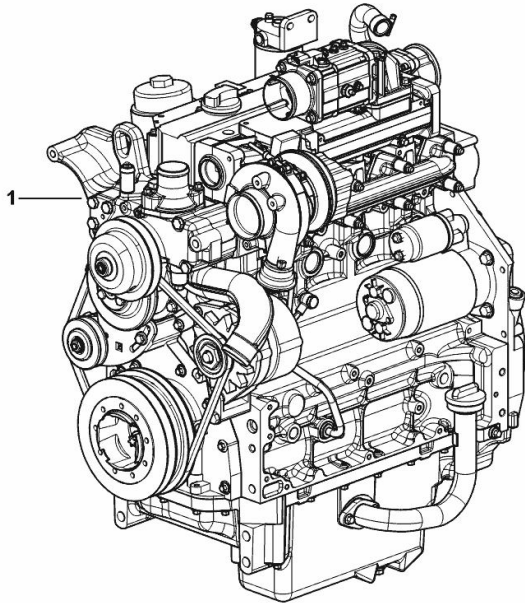
**ENGINE**

Fig.	P/n	QTY	Name
------	-----	-----	------

**Notes:**

[R3 EVO 110 2WD -> ZKDW410100TL25001] [R3 EVO 110 4WD -> ZKDW410200TL25001]

1	25008816	1	engine ON ORDERING PLEASE ENGINE NO. REQUIRED
---	----------	---	---



9\_O2119\_02\_0-A-001

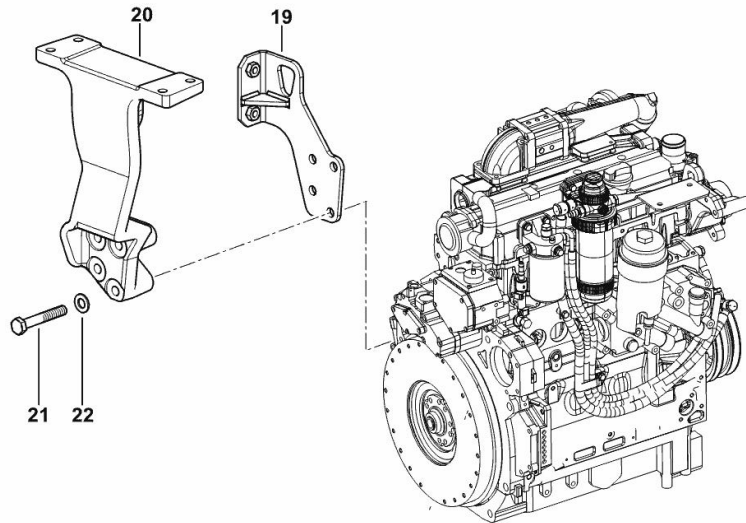
**SUPPORTS**

Fig.	P/n	QTY	Name
------	-----	-----	------

**Notes:**

[R3 EVO 110 2WD -> ZKDW410100TL25001] [R3 EVO 110 4WD -> ZKDW410200TL25001]

19	0.014.9247.3/20	1	bracket
20	0.010.6442.0/10	1	bracket
21	2.0112.322.2	4	screw m 10 p.1.5x65
22	2.1475.003.2	4	washer 10



9\_O3016\_01\_0-B-001

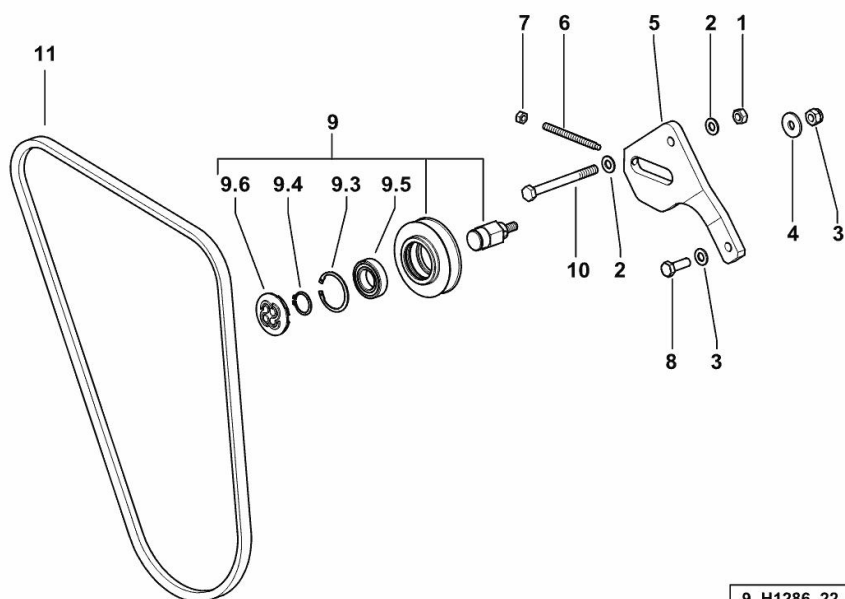
**COOLANT PUMP DRIVEBELT AND BELT TENSIONER**

Fig.	P/n	QTY	Name
------	-----	-----	------

**Notes:**

- FOR TRACTORS WITHOUT AIR CONDITIONING [R3 EVO 110 2WD -> ZKDW410100TL25001] - FOR TRACTORS WITHOUT AIR CONDITIONING [R3 EVO 110 4WD -> ZKDW410200TL25001]

1	2.1011.106.2	1	nut m 10 p.1.5
2	2.1310.006.2	3	flat washer 10.5x21
3	2.1120.221.2	1	self-locking nut m 10 p.1.25
4	2.1579.520.2	1	washer 10.5x30x3
5	0.014.8009.0/10	1	bracket
6	2.0399.221.2	1	screw m 8 p.1.25 x 95
7	2.1011.105.2	1	nut m 8 p.1.25
8	2.0112.311.2	1	screw m 10 p.1.5 x 30
9	0.014.2193.4	1	tensioner
9.3	2.1411.019.7	1	circlip 47
9.4	2.1410.010.7	1	circlip 25
9.5	2.2999.330.0	1	special bearing 25 x 47 x 12
9.6	2.3199.089.0	1	small cover
10	2.0112.331.2	1	screw m 10 p.1.5x110
11	2.4119.005.0	1	belt AV 15x1465 mm



9\_H1286\_22\_0-A-001

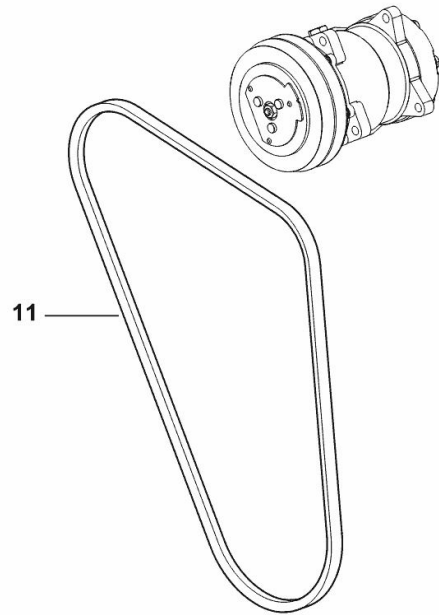
**COOLANT PUMP AND COMPRESSOR DRIVEBELT**

Fig.	P/n	QTY	Name
------	-----	-----	------

**Notes:**

- FOR TRACTORS WITH AIR CONDITIONING [R3 EVO 110 2WD -> ZKDW410100TL25001] - FOR TRACTORS WITH AIR CONDITIONING [R3 EVO 110 4WD -> ZKDW410200TL25001]

11	04452440	1	belt AV 15x1475 mm
----	----------	---	--------------------



9\_H1286\_21\_0-A-001

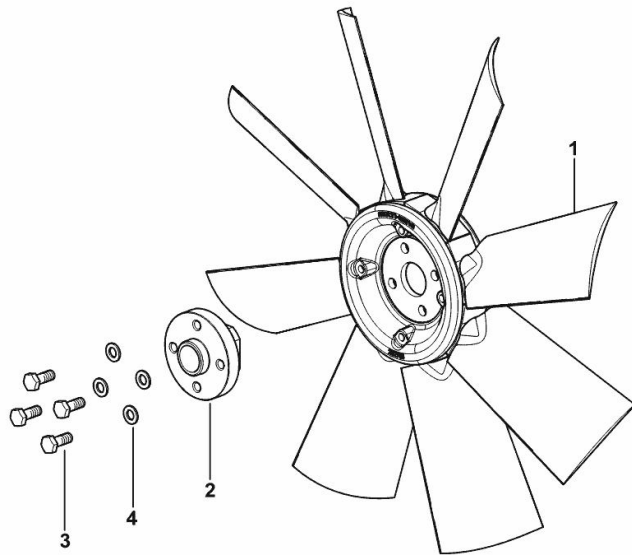
**ENGINE FAN**

Fig.	P/n	QTY	Name
------	-----	-----	------

**Notes:**

[R3 EVO 110 2WD -> ZKDW410100TL25001] [R3 EVO 110 4WD -> ZKDW410200TL25001]

1	0.015.7992.0	1	fan mm 450 - 8 - 40°
2	0.015.8240.0	1	hub
3	2.0112.207.2	4	screw m 8 p 1.25 x 20
4	2.1474.009.2	4	spring washer 8



9\_O3019\_06\_0-A-001

**COOLING - COOLANT RADIATOR**

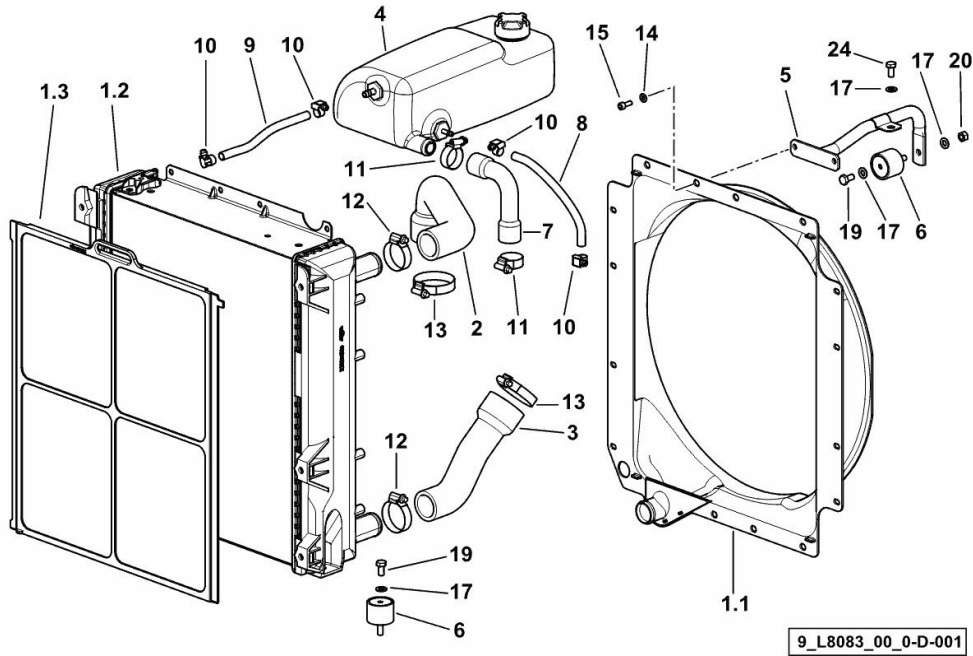


Fig.	P/n	QTY	Name
------	-----	-----	------

**Notes:**

[R3 EVO 110 2WD -> ZKDW410100TL25001] [R3 EVO 110 4WD -> ZKDW410200TL25001]

1.1	0.014.8030.2/10	1	duct
1.2	0.014.8026.4/10	1	water cooler
1.3	0.014.8035.2	1	shield
2	0.014.8024.0	1	sleeve
3	0.014.8025.0	1	sleeve
4	0.014.8023.4/10	1	small tank ☞ 0.014.8023.4/10
5	0.014.8021.3	1	rod
6	0.010.1054.2/10	3	support
7	0.014.8010.0/10	1	tube
8	0.007.8859.0	1	tube 6x9x1950
9	0.012.6457.0	0.18	tube
10	2.6851.018.0	4	clamp Ø11/17
11	2.6851.003.0	2	clamp Ø 25/40
12	2.6851.004.0	2	clamp Ø 32/50
13	2.6851.006.0	7	clamp Ø 50/70
14	2.1310.002.2	2	flat washer 6.4x12.5
15	2.0312.104.2	2	screw m 6 p.1 x 16
17	2.1310.004.2	5	flat washer 8.4x17
19	2.0112.205.2	3	screw m 8 p.1.25 x 16
20	2.1011.105.2	1	nut m 8 p.1.25
24	2.0114.205.2	1	screw m 8 p.1.25 x 16

**Buy Now**



Our support email:

[ebooklibonline@outlook.com](mailto:ebooklibonline@outlook.com)