

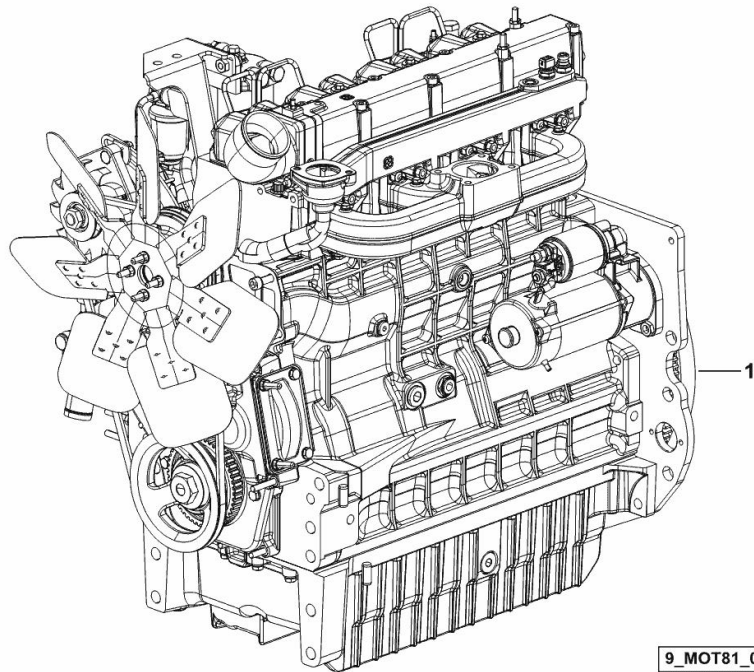
ENGINE

| Fig. | P/n | QTY | Name |
|------|-----|-----|------|
|------|-----|-----|------|

Notes:

[R3.105 2WD -> 20001] [R3.105 4WD -> 20001]

| | | | |
|---|--------------|---|--------------------|
| 1 | 6.k7402.00.0 | 1 | new engine >100 kw |
|---|--------------|---|--------------------|



Section: B0 - ENGINE

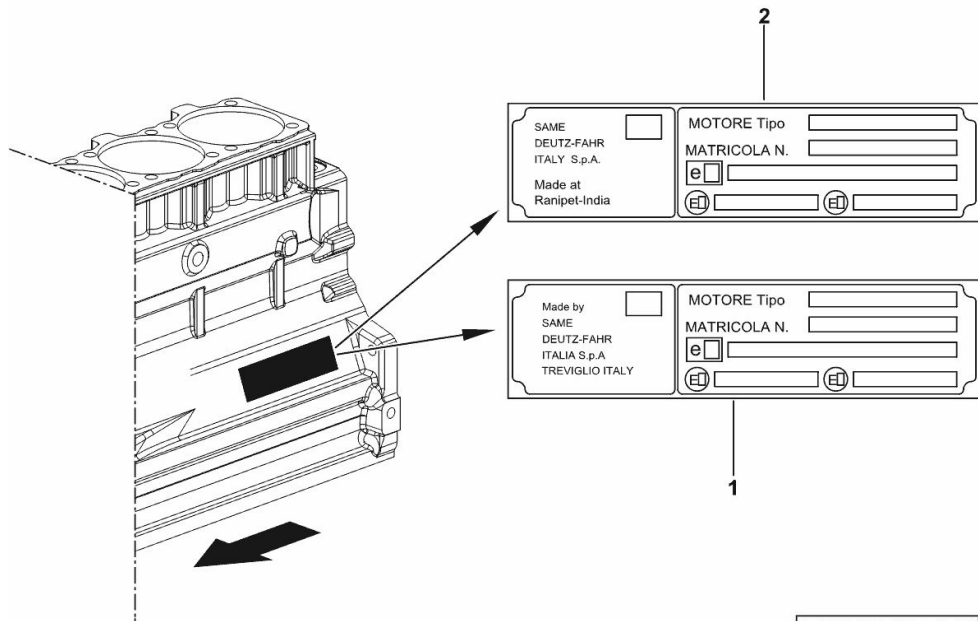
ENGINE TYPE-APPROVAL DATA PLATE

| Fig. | P/n | QTY | Name |
|------|-----|-----|------|
|------|-----|-----|------|

Notes:

[R3.105 2WD -> 20001] [R3.105 4WD -> 20001]

| | | | |
|---|--------------|--|---|
| 1 | 0.000.0000.1 | | cannot be supplied MADE BY TREVIGLIO ITALY |
| 2 | 0.000.0000.1 | | cannot be supplied MADE AT RANIPET - INDIA |



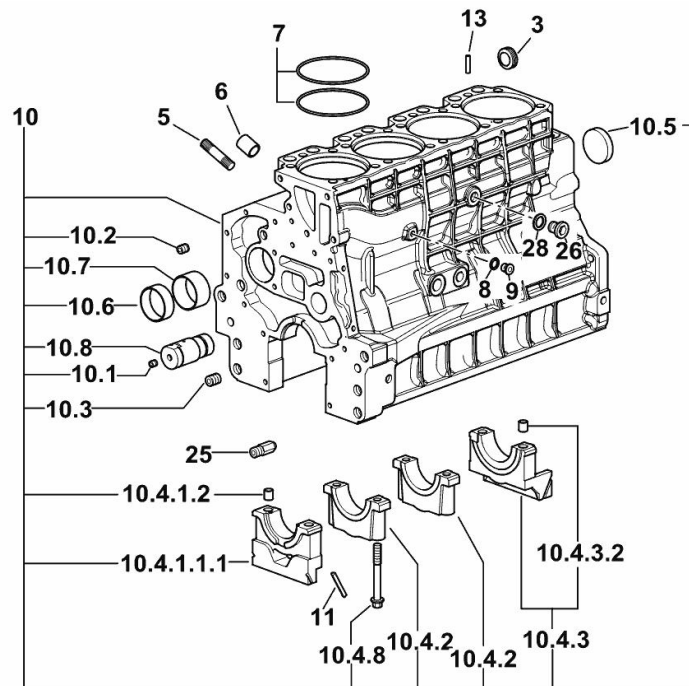
9_STA000_00_0-A-001

CRANKCASE

| Fig. | P/n | QTY | Name |
|------|-----|-----|------|
|------|-----|-----|------|

Notes:

FOR ENGINES PRODUCED IN : TREVIGLIO ITALY [R3.105 2WD -> 20001] FOR ENGINES PRODUCED IN : TREVIGLIO ITALY [R3.105 4WD -> 20001]



9_O1011_00_0-A-001

| | | | |
|------------|-----------------|----|------------------------------|
| 3 | 2.3199.312.2/20 | 1 | plug m 35x1.5x9.5 |
| 5 | 2.0439.279.7 | 8 | stud bolt m 8 p.1 x 25 |
| 6 | 2.1559.188.2 | 4 | bush 11.4 x 14 x16 |
| 7 | 2.1539.259.0 | 8 | special oil seal 107.62x2.62 |
| 8 | 2.1560.010.0 | 1 | gasket 14.2 x 20 |
| 9 | 2.3199.292.0 | 1 | plug 1/4" gas |
| 10 | 0.014.9655.4/30 | 1 | crankcase |
| 10.1 | 2.3130.001.1 | 14 | plug 1/8" gas |
| 10.2 | 2.3130.002.1 | 4 | plug 1/4" gas |
| 10.3 | 2.3130.003.1 | 6 | plug 3/8" gas |
| 10.4.1.1.1 | 0.065.1112.7/10 | 1 | support |
| 10.4.1.2 | 2.1699.165.0 | 1 | bush 12.3x15x16 |
| 10.4.2 | 0.065.1114.0/10 | 3 | support |
| 10.4.3 | 0.065.1116.3 | 1 | support |
| 10.4.3.2 | 2.1699.165.0 | 1 | bush 12.3x15x16 |
| 10.4.8 | 0.065.1117.0 | 10 | screw m 12 x 100 |
| 10.5 | 2.3179.012.0 | 1 | plug 60 |
| 10.6 | 0.065.1140.0 | 4 | special bushing 59X55X20 |
| 10.7 | 0.065.1141.0 | 1 | special bushing 59X55X30 |
| 10.8 | 0.014.1340.0/10 | 1 | pin mm 85 |
| 11 | 0.066.1152.0/10 | 4 | gasket |
| 13 | 2.1549.154.2 | 4 | bush 4.8x5.8x16 |
| 25 | 0.013.4946.0/10 | 1 | sprayer nozzle |
| 26 | 2.3120.101.0 | 1 | plug m 18 p.1.5 |
| 28 | 2.1560.014.0 | 1 | washer 18.2 x 24 |

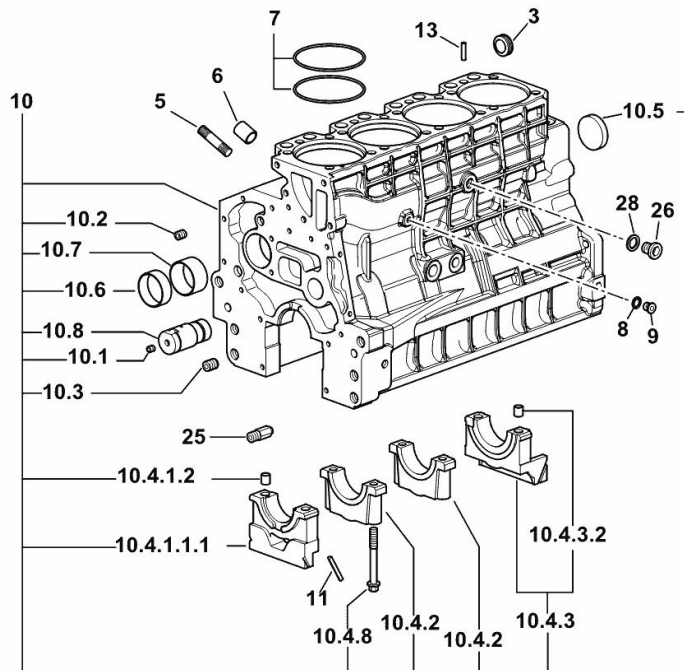
Section: B0 - ENGINE

CRANKCASE

| Fig. | P/n | QTY | Name |
|------|-----|-----|------|
|------|-----|-----|------|

Notes:

FOR ENGINES PRODUCED IN : RANIPET - INDIA [R3.105 2WD -> 20001] FOR ENGINES PRODUCED IN : RANIPET - INDIA [R3.105 4WD -> 20001]



19_O1011_00_0-A-001

| | | | |
|------------|-----------------|----|------------------------------|
| 3 | 2.3199.312.2/20 | 1 | plug m 35x1.5x9.5 |
| 5 | 2.0439.279.7 | 8 | stud bolt m 8 p.1 x 25 |
| 6 | 2.1559.188.2 | 4 | bush 11.4 x 14 x16 |
| 7 | 2.1539.259.0 | 8 | special oil seal 107.62x2.62 |
| 8 | 2.1560.010.0 | 1 | gasket 14.2 x 20 |
| 9 | 2.3199.292.0 | 1 | plug 1/4" gas |
| 10 | 0.014.9655.4/30 | 1 | crankcase |
| 10.1 | 2.3130.001.1 | 14 | plug 1/8" gas |
| 10.2 | 2.3130.002.1 | 4 | plug 1/4" gas |
| 10.3 | 2.3130.003.1 | 6 | plug 3/8" gas |
| 10.4.1.1.1 | 0.065.1112.7/10 | 1 | support |
| 10.4.1.2 | 2.1699.165.0 | 1 | bush 12.3x15x16 |
| 10.4.2 | 0.065.1114.0/10 | 3 | support |
| 10.4.3 | 0.065.1116.3 | 1 | support |
| 10.4.3.2 | 2.1699.165.0 | 1 | bush 12.3x15x16 |
| 10.4.8 | 0.065.1117.0 | 10 | screw m 12 x 100 |
| 10.5 | 2.3179.012.0 | 1 | plug 60 |
| 10.6 | 0.065.1140.0 | 4 | special bushing 59X55X20 |
| 10.7 | 0.065.1141.0 | 1 | special bushing 59X55X30 |
| 10.8 | 0.014.1340.0/10 | 1 | pin mm 85 |
| 11 | 0.066.1152.0/10 | 4 | gasket |
| 13 | 2.1549.154.2 | 4 | bush 4.8x5.8x16 |
| 25 | 0.013.4946.0/10 | 1 | sprayer nozzle |
| 26 | 2.3120.101.0 | 1 | plug m 18 p.1.5 |
| 28 | 2.1560.014.0 | 1 | washer 18.2 x 24 |

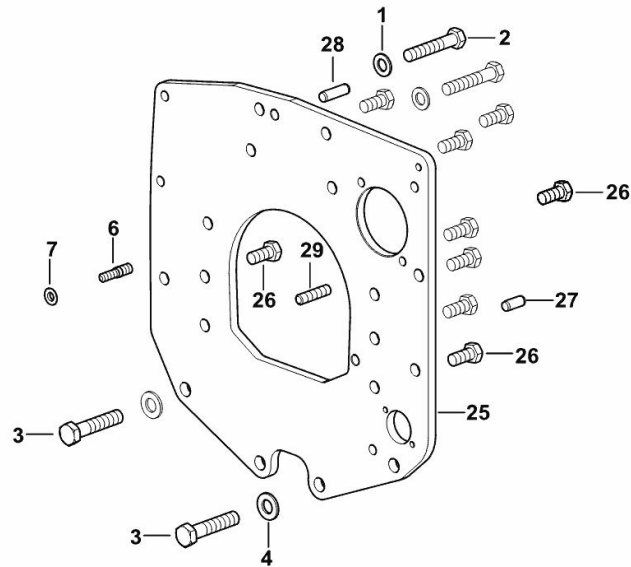
MONOBLOC ENGINE-GEARBOX CONNECTING FLANGE

| Fig. | P/n | QTY | Name |
|------|-----|-----|------|
|------|-----|-----|------|

Notes:

FOR ENGINES PRODUCED IN : TREVIGLIO ITALY [R3.105 2WD -> 20001] FOR ENGINES PRODUCED IN : TREVIGLIO ITALY [R3.105 4WD -> 20001]

| | | | |
|----|-----------------|---|-----------------------------------|
| 1 | 2.1475.005.2 | 2 | washer 14 |
| 2 | 2.0112.524.2 | 2 | screw m 14 p.2 x 75 |
| 3 | 2.0112.624.2 | 2 | screw m 16 p.2 x 75 |
| 4 | 2.1475.006.2 | 2 | spring washer 16 |
| 6 | 2.0439.250.7 | 1 | stud bolt m 12 / m 10 x 30 |
| 7 | 0.011.9294.0/10 | 1 | bush |
| 25 | 0.019.1488.0 | 1 | flange |
| 26 | 2.0112.511.2 | 8 | screw m 14 p.2 x 30 |
| 27 | 2.1651.912.0 | 2 | cylindrical plug 12x28 |
| 28 | 2.1651.917.0 | 1 | cylindrical plug 12x40 |
| 29 | 2.0432.257.7 | 1 | stud bolt m 12 p.1.75 - 1.25 x 30 |



9_K7411_01_0-A-001

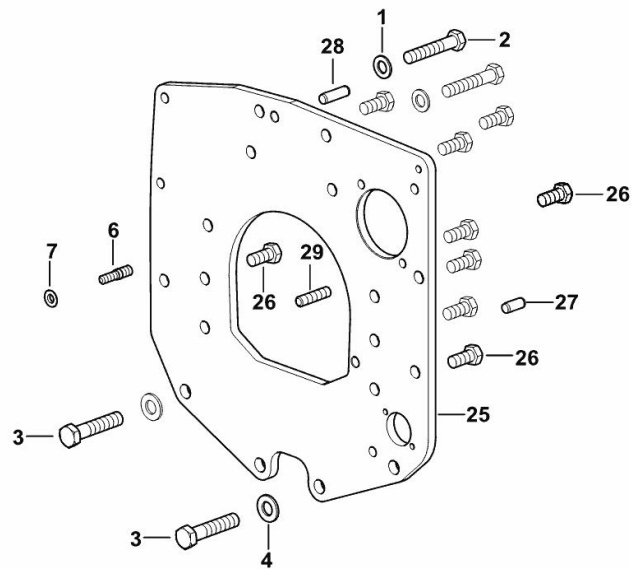
MONOBLOC ENGINE-GEARBOX CONNECTING FLANGE

| Fig. | P/n | QTY | Name |
|------|-----|-----|------|
|------|-----|-----|------|

Notes:

FOR ENGINES PRODUCED IN : RANIPET - INDIA [R3.105 2WD -> 20001] FOR ENGINES PRODUCED IN : RANIPET - INDIA [R3.105 4WD -> 20001]

| | | | |
|----|-----------------|---|-----------------------------------|
| 1 | 2.1475.005.2 | 2 | washer 14 |
| 2 | 2.0112.524.2 | 2 | screw m 14 p.2 x 75 |
| 3 | 2.0112.624.2 | 2 | screw m 16 p.2 x 75 |
| 4 | 2.1475.006.2 | 2 | spring washer 16 |
| 6 | 2.0439.250.7 | 1 | stud bolt m 12 / m 10 x 30 |
| 7 | 0.011.9294.0/10 | 1 | bush |
| 25 | 0.019.1488.0 | 1 | flange |
| 26 | 2.0112.511.2 | 8 | screw m 14 p.2 x 30 |
| 27 | 2.1651.912.0 | 2 | cylindrical plug 12x28 |
| 28 | 2.1651.917.0 | 1 | cylindrical plug 12x40 |
| 29 | 2.0432.257.7 | 1 | stud bolt m 12 p.1.75 - 1.25 x 30 |



[9_K7411_01_0-A-001]

ENGINE OIL AND TURBO PRESSURE SWITCH UNION

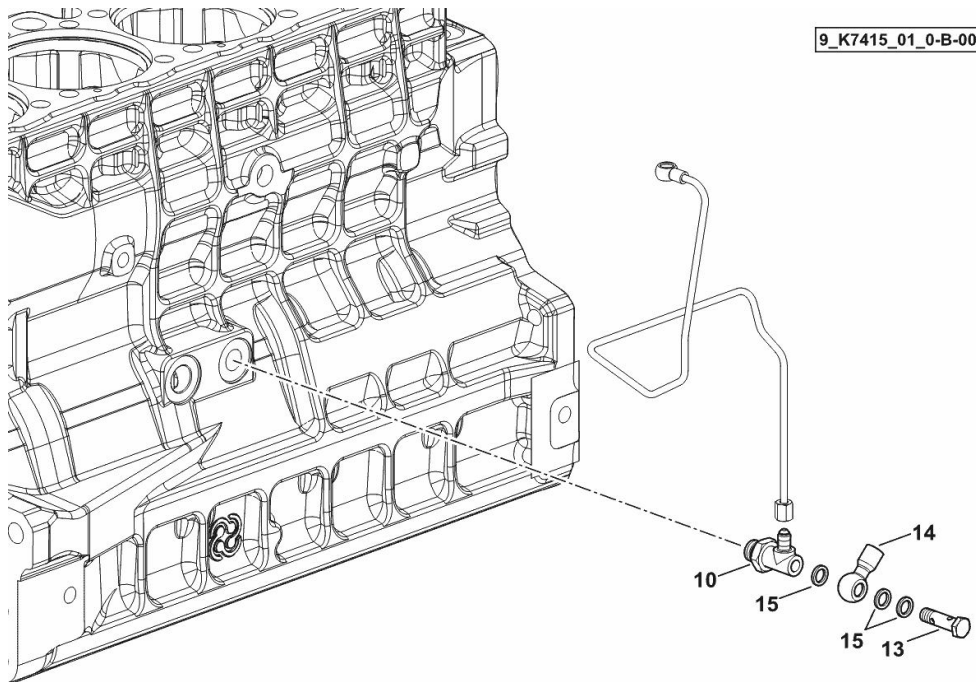
| Fig. | P/n | QTY | Name |
|------|-----|-----|------|
|------|-----|-----|------|

Notes:

FOR ENGINES MADE AT: TREVIGLIO ITALY. WITH AIR BRAKING FOR TRAILER [R3.105 2WD -> 20001]

FOR ENGINES MADE AT: TREVIGLIO ITALY. WITH AIR BRAKING FOR TRAILER [R3.105 4WD -> 20001]

| | | | |
|----|--------------|---|--------------------------|
| 10 | 2.3339.574.2 | 1 | pipe fitting |
| 13 | 2.3249.155.2 | 1 | pipe union m 12 p.1.5x44 |
| 14 | 2.3249.014.2 | 1 | pipe fitting m 12 p.1.5 |
| 15 | 2.1569.118.0 | 3 | gasket 12.5x18x2.5 |



Buy Now



Our support email:

ebooklibonline@outlook.com