

R4.100 VRT

Section: H0 - HYDRAULIC AND PNEUMATIC SYSTEM]

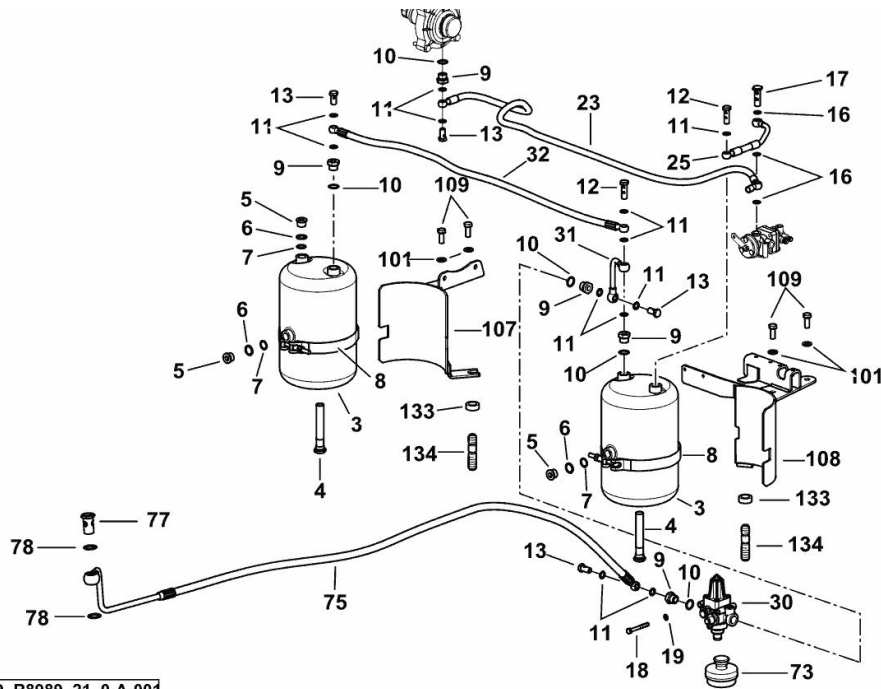
Ref: H0.09.17 (1)

**AIR BRAKING FOR 'EXPORT D' TRAILER**

Fig.	P/n	QTY	Name
------	-----	-----	------

Notes:  
[R4.100 VRT]

3	04414694/10	2	tank
4	04400757	2	valve
5	2.3120.002.4	3	plug m 22 x 1.5
6	02523701	4	ring
7	02523700	4	ring
8	2.6859.101.0	2	clamp
9	2.3339.766.2	8	reduction m 22 p.1.5/m 14 p.1.5
10	2.1560.017.0	8	gasket 22.2 x 27
11	2.1560.010.0	19	gasket 14.2 x 20
12	2.3339.280.2	2	pipe union m 14 p.1.5X42
13	2.3332.004.2	6	pipe union m 14 p.1.5 x 27
16	2.1560.011.0	4	copper gasket 16.2x20
17	2.3339.597.2/10	1	pipe union m 16 p.1.5x50
18	2.0112.223.2	4	screw m 8 p.1.25x70
19	2.1470.004.2	8	lock washer 8
23	0.011.4016.3	1	tube
25	0.011.4031.3	1	tube
30	04398756	1	valve ☞ 04398756
31	0.011.3914.3	1	tube
32	0.018.0780.0	1	tube mm 1300
73	0.012.3382.0	1	silencer
75	0.015.9645.3/10	1	tube
77	2.3335.010.2	1	pipe union m 26x1.5
78	2.1569.068.0	2	gasket 26.3x34
101	2.1310.007.2	5	flat washer 13 x 24
107	0.015.9692.2/10	1	bracket dx/rh/re
108	0.015.9679.2/10	1	bracket sx/lh/li
109	2.0113.411.2	4	screw m 12 x 30
133	2.1549.415.2	2	spacer
134	2.0433.416.7	2	stud bolt m 16 p.1.5x55



9\_R8989\_21\_0-A-001

**R4.100 VRT**

Section: H0 - HYDRAULIC AND PNEUMATIC SYSTEM]

Ref: H0.09.18 (1)

**AIR BRAKING FOR 'EXPORT D' TRAILER**

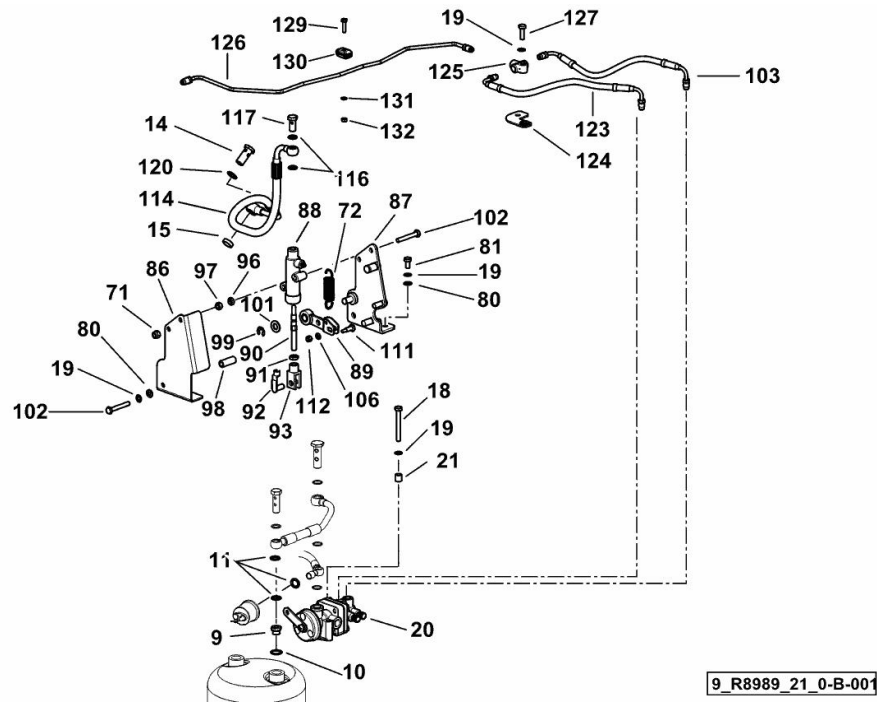


Fig.	P/n	QTY	Name
------	-----	-----	------

Notes:  
[R4.100 VRT]

9	2.3339.766.2	8	reduction m 22 p.1.5/m 14 p.1.5
10	2.1560.017.0	8	gasket 22.2 x 27
11	2.1560.010.0	19	gasket 14.2 x 20
14	2.3335.054.2	2	pipe union m 16 p.1.5
15	2.1569.154.0	2	gasket 16.2x22x6
18	2.0112.223.2	4	screw m 8 p.1.25x70
19	2.1470.004.2	8	lock washer 8
20	0.011.8633.4	1	valve ☞ 0.011.8633.4
21	2.1579.825.0	2	spacer
71	2.1120.005.2	2	nut m 8 p.1.25
72	2.4049.237.2	1	spring
80	2.1310.004.2	5	flat washer 8.4x17
81	2.0112.205.2	2	screw m 8 p.1.25 x 16
86	0.016.1381.0	1	shield
87	0.016.1380.3/10	1	support
88	0.011.8976.4/10	1	pump
89	0.016.1376.4	1	lever
90	0.014.0193.0/10	1	rod
91	2.1011.206.2	1	nut
92	2.1673.008.2	1	pin m 10
93	2.3510.005.2	1	fork
96	2.1549.583.2	2	spacer 8.2x15x3
97	2.1011.005.2	2	nut m 8 p.1.25
98	2.1549.077.2	1	bush 8.5x14x36
99	2.1430.011.7	1	circlip 10
101	2.1310.007.2	5	flat washer 13 x 24
102	2.0112.220.2	3	screw m 8 p.1.25x55
103	0.016.5710.3	1	tube
106	2.1310.002.2	1	flat washer 6.4x12.5
111	2.1699.597.2	1	pin
112	2.1120.003.2	1	self-locking nut m 6
114	0.016.1478.3	1	tube
116	2.1561.106.0	2	gasket Ø 12 -B-
117	2.3339.472.2/10	1	pipe union m 12 p.1.25x26
120	2.1560.012.0	1	gasket 16.2 x 22
123	0.016.5715.3	1	tube
124	0.016.5658.2	1	bracket
125	03499196	1	pipe fitting T
126	0.018.2105.3	1	tube
127	2.0112.209.2	1	screw m 8 p 1.25 x 25

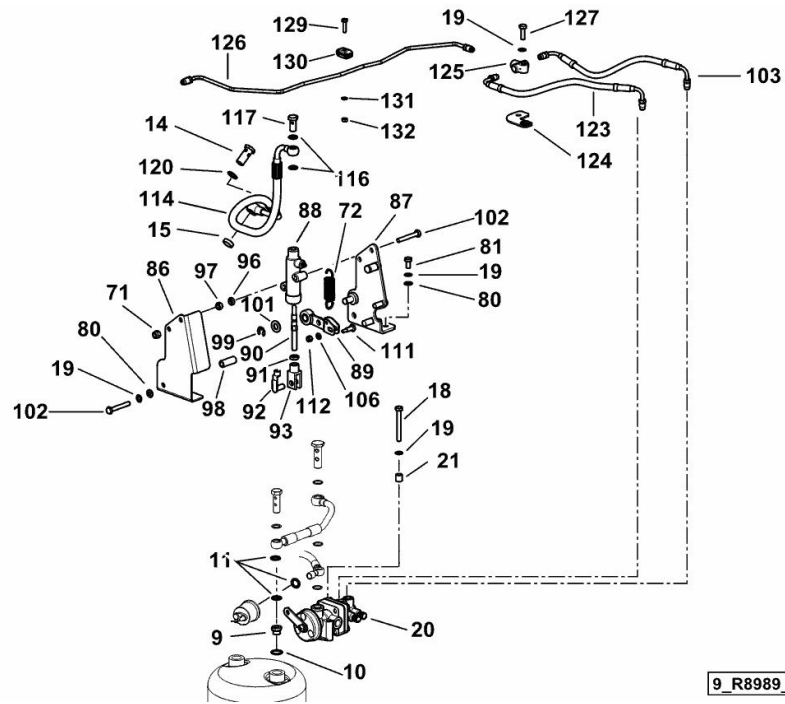
**R4.100 VRT**

Section: H0 - HYDRAULIC AND PNEUMATIC SYSTEM|

Ref: H0.09.18 (1)

**AIR BRAKING FOR 'EXPORT D' TRAILER**

Fig.	P/n	QTY	Name
129	2.0112.009.2	1	screw m 6 p.1 x 25
130	2.3321.002.0	1	terminal Ø 6.35
131	2.1470.002.2	1	lock washer 6
132	2.1011.103.2	1	nut m 6 p.1



**R4.100 VRT**

Section: H0 - HYDRAULIC AND PNEUMATIC SYSTEM|

Ref: H0.09.19 (1)

**AIR BRAKING FOR 'EXPORT D' TRAILER**

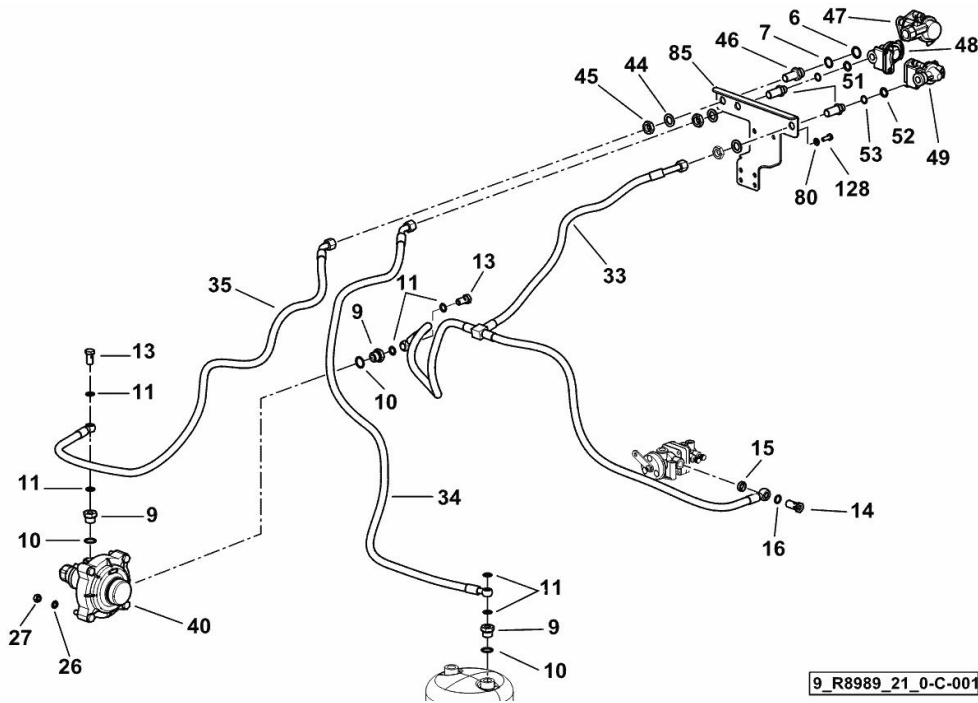


Fig.	P/n	QTY	Name
------	-----	-----	------

Notes:  
[R4.100 VRT]

6	02523701	4	ring
7	02523700	4	ring
9	2.3339.766.2	8	reduction m 22 p.1.5/m 14 p.1.5
10	2.1560.017.0	8	gasket 22.2 x 27
11	2.1560.010.0	19	gasket 14.2 x 20
13	2.3332.004.2	6	pipe union m 14 p.1.5 x 27
14	2.3335.054.2	2	pipe union m 16 p.1.5
15	2.1569.154.0	2	gasket 16.2x22x6
16	2.1560.011.0	4	copper gasket 16.2x20
26	2.1470.006.2	2	lock washer 10
27	2.1011.106.2	2	nut m 10 p.1.5
33	0.011.4058.3/10	1	tube
34	0.016.1488.3	1	tube
35	0.016.1488.3	1	tube
40	0.012.1713.4	1	valve
44	2.1470.010.2	3	lock washer 18
45	2.1012.510.2	3	nut m 18 p.1.5
46	01143567	1	pipe fitting m 22 x 1.5
47	04322997	1	socket
48	04323303	1	socket
49	04323302	1	socket
51	01143566	2	pipe fitting a12 m16x1,5
52	04389868	2	ring
53	04389869	2	ring
80	2.1310.004.2	5	flat washer 8.4x17
85	0.017.8648.0/20	1	bracket
128	2.0112.207.2	2	screw m 8 p 1.25 x 20

**R4.100 VRT**

Section: H0 - HYDRAULIC AND PNEUMATIC SYSTEM|

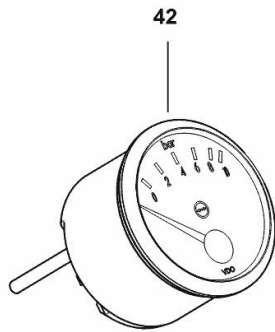
Ref: H0.09.20 (1)

**PRESSURE GAUGE FOR AIR BRAKING SYSTEM EXPORT D**

Fig.	P/n	QTY	Name
------	-----	-----	------

Notes:  
[R4.100 VRT]

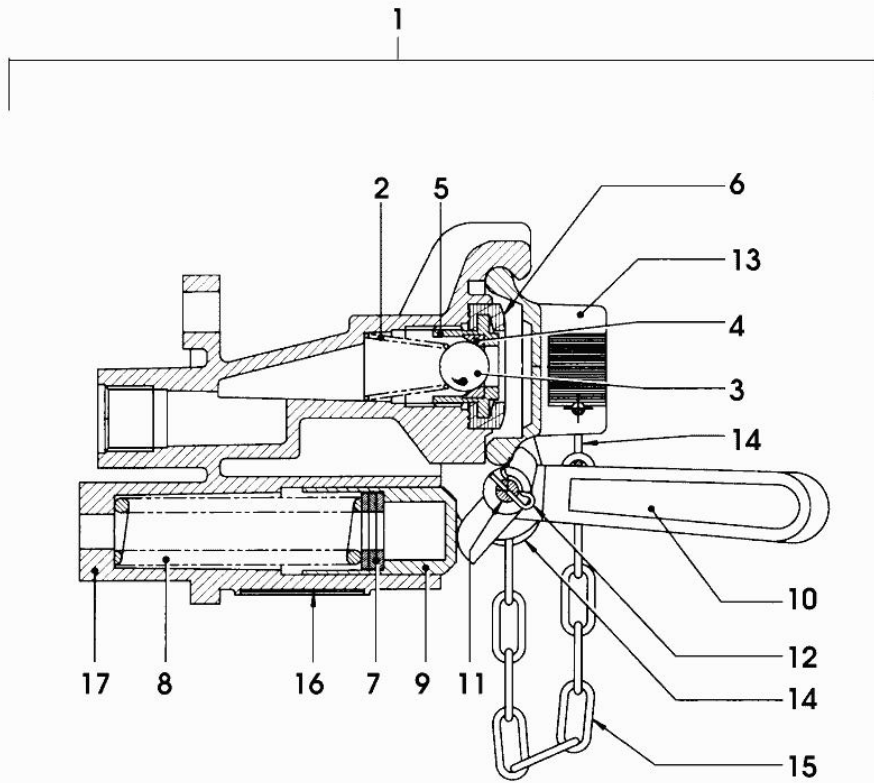
42	0.011.9433.0	1	air pressure gauge 10 bar
----	--------------	---	---------------------------



9\_R8989\_21\_0-D-001

**COUPLING PARTS CUNA**

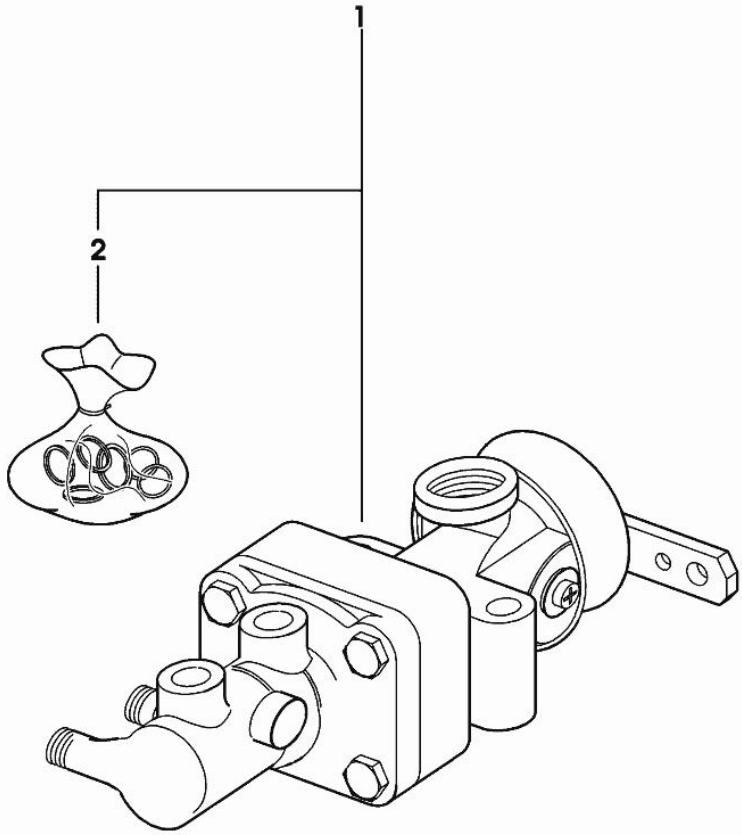
Fig.	P/n	QTY	Name
1	0.010.4582.4	1	joint CUNA
2	0.010.3145.1	2	spring
3	0.010.3145.2	2	ball
4	0.010.3146.0	2	gasket
5	0.010.3146.1	2	ring nut
6	0.010.3146.2	2	gasket
7	0.010.3147.0	3	washer
8	0.010.3147.1	1	spring
9	0.010.3147.2	1	cup
10	0.010.3148.0	1	lever
11	0.010.3148.1	1	pin
12	0.010.3148.2	1	split pin
13	0.010.3149.0	1	cover
14	0.010.3149.1	2	ring
15	0.010.3149.2	1	small chain
16	0.010.3150.0	1	plate
17	0.010.3150.1	1	body



0\_010\_4582\_4

**TRAILER BRAKE VALVE**

Fig.	P/n	QTY	Name
1	0.011.8633.4	1	valve
2	0.900.0136.2	1	accessories



0\_011\_8633\_4

**Buy Now**



Our support email:

[ebooklibonline@outlook.com](mailto:ebooklibonline@outlook.com)