

**COMPRESSOR-PARTS**

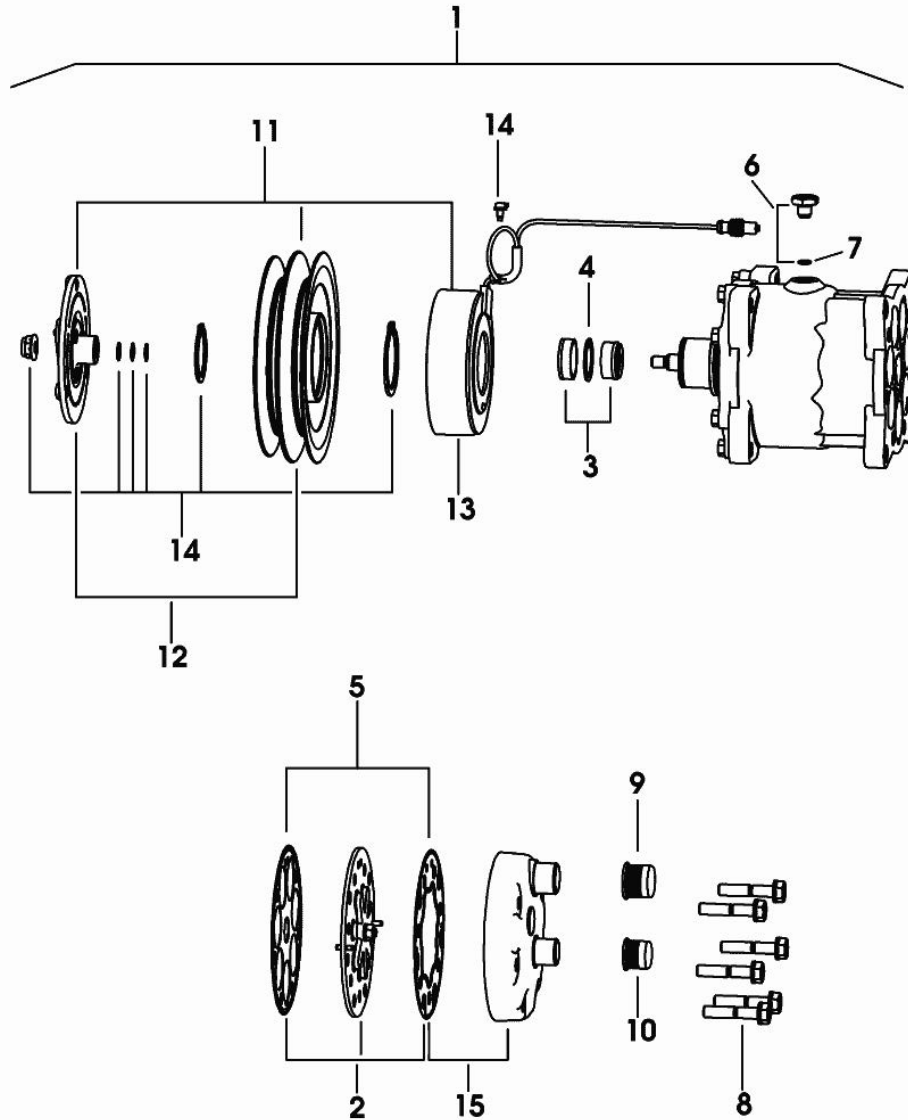
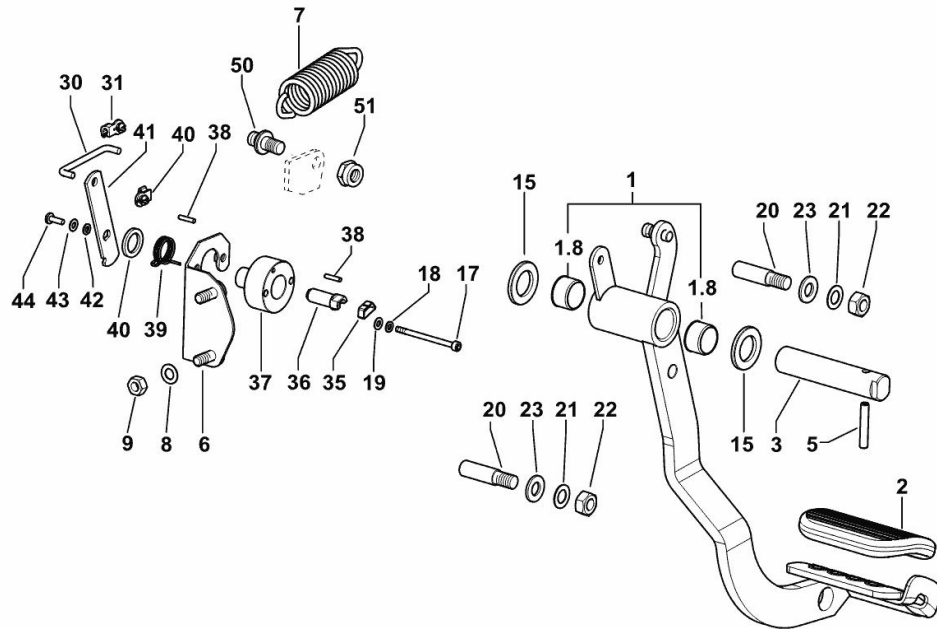


Fig.	P/n	QTY	Name
1	04437338	1	compressor R 134a
2	0.010.3628.0	1	valve
3	0.010.3628.1	1	gasket set
4	0.010.2132.0	1	circlip
5	0.010.3628.2	1	gasket set
6	0.010.3629.0	1	plug
7	0.010.3629.1	1	special oil seal
8	0.010.2133.0	6	screw
9	0.010.3629.2	1	plug
10	0.010.3630.0	1	plug
11	0.010.3630.1	1	pulley
12	0.010.3630.2	1	pulley
13	0.010.3631.0	1	electromagnet
14	0.010.3631.1	1	sub-assy parts
15	0.010.3627.2	1	head

04437338

**CLUTCH CONTROL**



9\_J1565\_01\_0-A-001

Fig.	P/n	QTY	Name
------	-----	-----	------

**Notes:**

[R4.110 VRT]

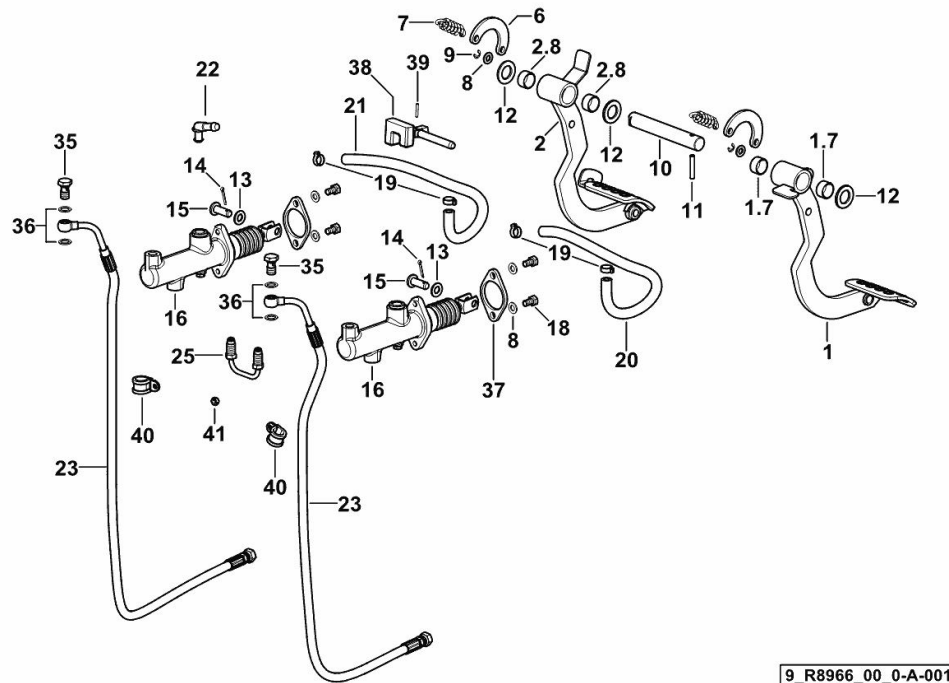
1	0.015.6238.3/10	1	pedal
1.8	2.1555.211.0	2	bushing 20x23x15
2	0.169.6557.0	1	cover
3	2.1699.404.2/10	1	pin
5	2.1630.614.0	1	roll pin 6x36
6	0.011.8652.3	1	bracket
7	2.4049.242.2	1	spring
8	2.1470.004.2	2	lock washer 8
9	2.1011.105.2	2	nut m 8 p.1.25
15	2.1311.012.2	2	flat washer 20
17	2.0312.717.2	2	screw m 4 p.0.4 x 55
18	2.1470.052.2	2	lock washer 4
19	2.1310.028.2	2	flat washer
20	0.011.0860.0	2	pin
21	2.1470.006.2	1	lock washer 10
22	2.1011.106.2	1	nut m 10 p.1.5
23	2.1310.006.2	1	flat washer 10.5x21
30	0.011.8646.0	1	rod
31	0.009.1165.0	2	spring
35	0.011.3791.0	1	clip
36	2.1699.520.2	1	pin
37	0.019.0464.0/10	1	bushing
38	2.1651.206.2	2	pin 3x14
39	2.4099.124.2	1	spring
40	2.1549.436.2	1	spacer
41	0.011.8647.0	1	lever
42	2.1310.028.2	1	flat washer
43	2.1470.052.2	1	lock washer 4
44	2.0332.204.3	1	screw m 4 p.0.7 x 12
50	0.015.4446.0/10	1	pin
51	2.1120.106.2	1	self-locking nut m 10 p.1.25

**BRAKE CONTROLS**

Fig.	P/n	QTY	Name
------	-----	-----	------

**Notes:**

[R4.110 VRT]



9\_R8966\_00\_0-A-001

1	0.015.4435.3/10	1	pedal sx/lh/li
1.7	2.1555.211.0	2	bushing 20x23x15
2	0.015.4432.3/10	1	pedal dx/rh/re
2.8	2.1555.211.0	2	bushing 20x23x15
6	0.009.3951.0/10	2	link
7	2.4049.200.2/30	2	spring
8	2.1310.004.2	6	flat washer 8.4x17
9	2.1430.007.2	2	circlip 6
10	2.1699.406.2	1	pin
11	2.1630.614.0	1	roll pin 6x36
12	2.1311.012.2	3	flat washer 20
13	2.1310.006.2	2	flat washer 10.5x21
14	2.1690.308.2	2	split pin A3x20
15	2.1671.407.2	2	pin 10 x 28
16	0.015.6495.4/10	2	brake pump ( -> 1051 ) ☞ 0.015.6495.4/10
18	2.0112.209.2	4	screw m 8 p 1.25 x 25
19	2.6857.019.0	4	clamp 14
20	0.012.6343.0	0.44	tube
21	0.012.6343.0	0.44	tube
22	0.019.7605.0	2	hose holder ( -> 1051 )
23	0.017.3377.3	2	tube
25	0.255.6660.3/10	1	tube
35	2.3339.431.2/10	2	pipe union m 12 p.1.25x21
36	2.1560.008.0	4	gasket 12.2 x 18
37	0.015.4444.0	2	spacer
38	0.010.7310.3/40	1	bracket
39	2.1630.210.9	1	pin 3 x 20
40	2.6839.066.0/10	2	clamp 16
41	2.1011.103.2	1	nut m 6 p.1

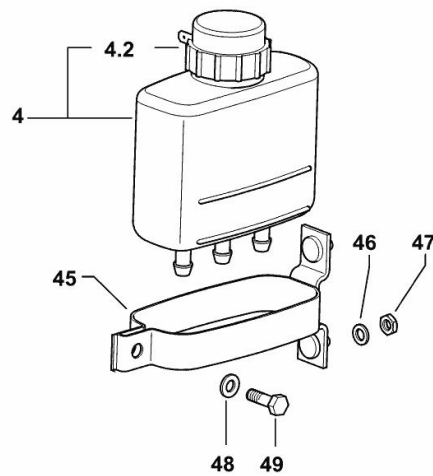
Section: G0 - BODYWORK - CAB  
**BRAKE FLUID RESERVOIR**

Fig.	P/n	QTY	Name
------	-----	-----	------

**Notes:**

[R4.110 VRT]


4	0.009.1780.4/10	1	tank
4.2	0.257.6654.3/10	1	plug
45	0.257.6662.2	1	clamp
46	2.1470.002.2	2	lock washer 6
47	2.1011.203.2	2	nut m 6 p.1
48	2.1310.002.2	1	flat washer 6.4x12.5
49	2.0112.007.2	1	screw m 6 p.1 x 20

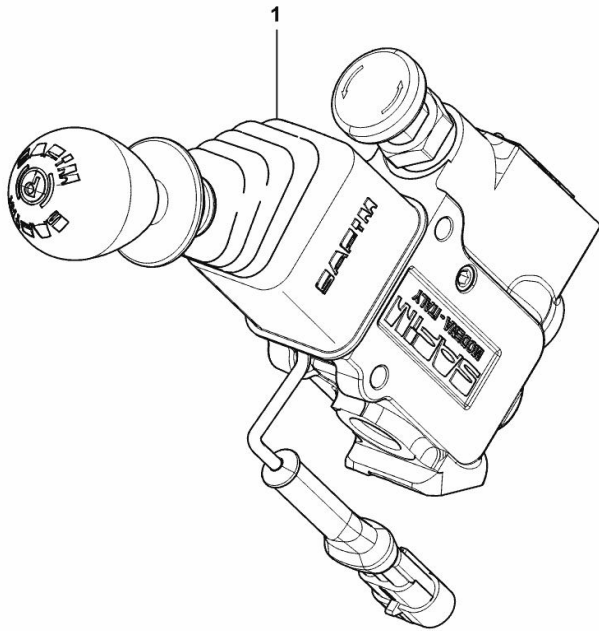


9\_J1565\_01\_0-B-001

Fig.	P/n	QTY	Name
------	-----	-----	------

Notes:  
 [R4.110 VRT]

1	2.3729.719.0/20	1	valve PARK BRAKE  2.3729.719.0/20
---	-----------------	---	---



9\_J1566\_30\_0-A-001

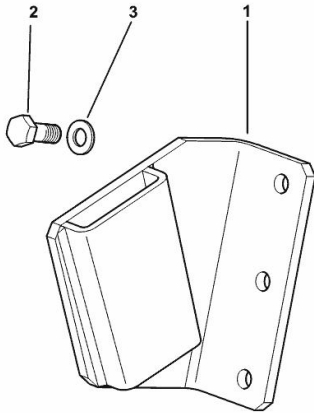
**HANDBRAKE BRACKET FOR TRAILER / FOR PICK-UP HITCH CONTROL  
CABLE**

Fig.	P/n	QTY	Name
------	-----	-----	------

**Notes:**

[R4.110 VRT]

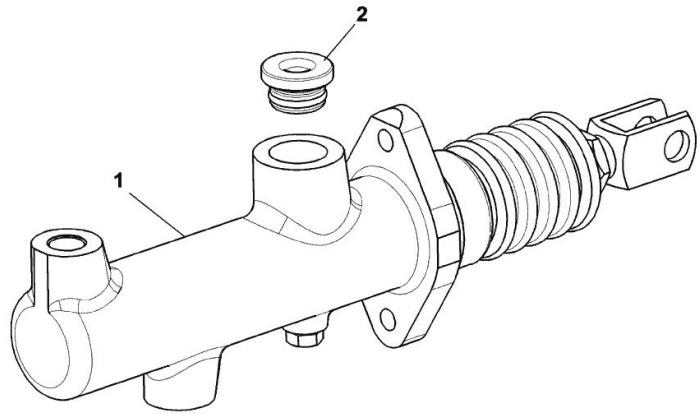
1	0.015.0078.2	1	support
2	2.0112.209.2	3	screw m 8 p 1.25 x 25
3	2.1310.004.2	3	flat washer 8.4x17



9\_H1544\_20\_0-A-001

**MASTER CYLINDER PARTS**

Fig.	P/n	QTY	Name
1	0.015.6495.4/10	1	brake pump
2	0.900.2040.3	1	rubber plug



0.015.6495.4/10

**Buy Now**



Our support email:

[ebooklibonline@outlook.com](mailto:ebooklibonline@outlook.com)