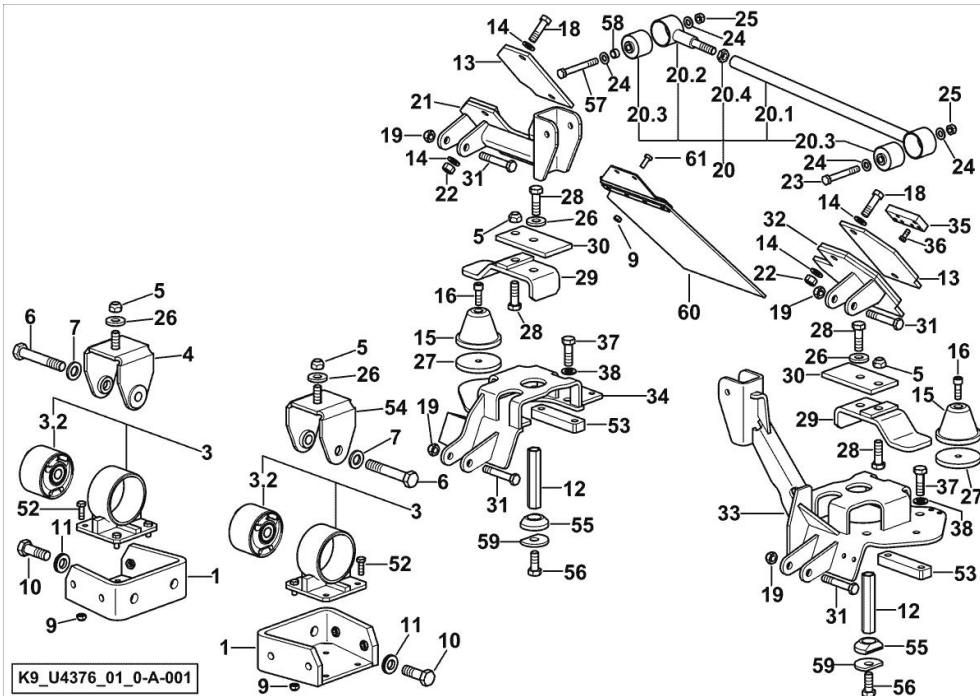


CAB BEARING

Fig.	P/n	QTY	Name
------	-----	-----	------

Notes:

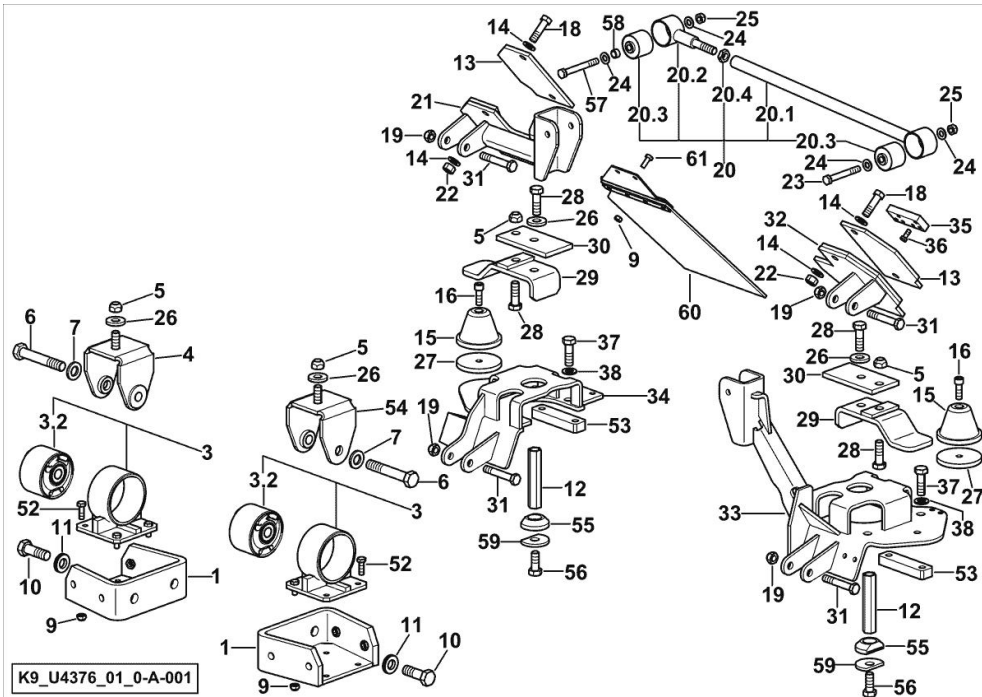
- FOR TYPES WITH PNEUMATIC AND MECHANICAL CAB SUSPENSION [R6/SPARK 160 T4i VRT -> WSXU490200LL50001]



1	0.018.8344.3	2	support
3	0.018.5216.4/10	2	silent-block
3.2	0.013.5024.0	1	silent-block
4	0.019.4968.4	1	fork dx/rh/re
5	2.1121.011.2	4	nut m 16
6	2.0113.833.2	2	screw m 20x120
7	2.1475.108.2	2	spring washer 20
9	2.1121.007.2	10	nut m 10 p.1.5
10	2.0129.077.6	4	screw m 20 p.2x60
11	01167055	4	washer 20.5x40
12	0.019.9279.0/20	2	rod
13	0.018.9353.0	2	plate
14	2.1310.009.2	8	flat washer 15x20
15	0.011.3290.2/10	2	stopper
16	2.0312.412.2	2	screw m 12 p.1.75x35
18	2.0112.519.2	4	screw m 14 p.2x50
19	2.1121.010.2	4	nut m 14 p.2
20	0.011.9412.4/20	1	rod
20.1	0.011.9267.2	1	rod
20.2	0.010.6055.2/10	1	adjustable tensioner
20.3	0.010.6056.2/20	2	bush
20.4	2.1011.509.2	1	nut m 16 p.1.5 - dx/rh/re
21	0.018.8357.4/30	1	plate dx/rh/re
22	2.1011.108.2	4	nut m 14 p.2
23	2.0112.427.2	1	screw m 12 p.1.75 x 90
24	2.1310.007.2	4	flat washer 13 x 24
25	2.1121.008.2	2	nut m 12
26	01139580	4	washer 17
27	0.012.3165.0	2	washer Ø 95 / 12.5
28	2.0113.619.2	4	screw m 16 p.2x50
29	0.018.9203.2	2	bracket
30	0.012.3229.0	2	plate
31	2.0112.526.2	4	screw m 14 p.2x85
32	0.018.9351.4	1	plate sx/lh/li
33	0.020.2558.4/20	1	plate
34	0.020.2561.4/10	1	plate dx/rh/re
35	04426734	1	small block
36	2.0114.207.2	2	screw m 8 p.1.25 x 20
37	2.0112.619.2	8	screw m 16 p.2x50
38	2.1310.010.2	8	flat washer 17x30

CAB BEARING

Fig.	P/n	QTY	Name
52	2.0112.311.2	4	screw m 10 p.1.5 x 30
53	0.018.4088.0/10	4	cap-washer
54	0.019.4967.4	1	fork sx/lh/li
55	0.012.3601.2	2	washer 60
56	2.0112.615.2	2	screw m 16 p.2 x 40
57	2.0112.429.2	1	screw m 12 p.1.75x100
58	2.1549.503.2	1	spacer
59	0.020.0369.0	2	spacer
60	0.016.8026.3/10	1	guard dx/rh/re
61	2.0112.309.2	2	screw m 10 p.1.5 x 25



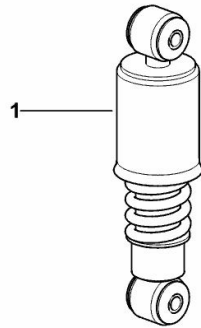
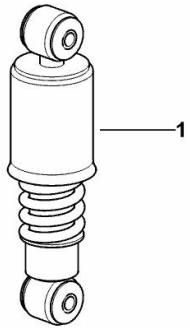
MECHANICAL CAB SUSPENSION - REAR

Fig.	P/n	QTY	Name
------	-----	-----	------

Notes:

[R6/SPARK 160 T4i VRT -> WSXU490200LL50001]

1	0.015.0003.4	2	shock absorber
---	--------------	---	----------------



K9_S3776_02_0-A-001

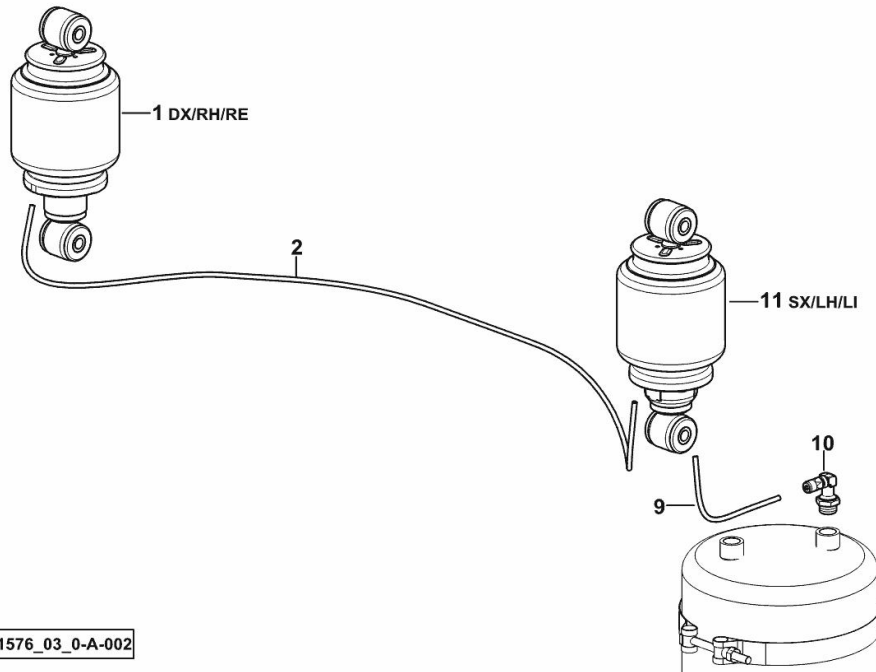
CAB BEARING PNEUMATIC SPRINGING - REAR

Fig.	P/n	QTY	Name
------	-----	-----	------

Notes:

[R6/SPARK 160 T4i VRT -> WSXU490200LL50001]

1	0.019.7906.4/10	1	shock absorber
2	0.019.7513.0	1.43	flexible hose
9	0.019.7513.0	0.27	flexible hose
10	04432095	1	pipe fitting L
11	0.019.7904.4/10	1	shock absorber



K9_U1576_03_0-A-002

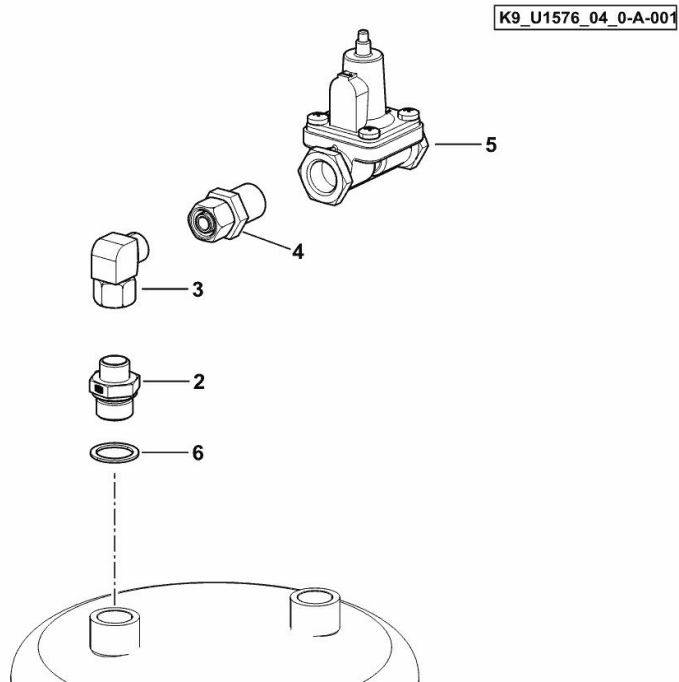
CAB BEARING PNEUMATIC SPRINGING

Fig.	P/n	QTY	Name
------	-----	-----	------

Notes:

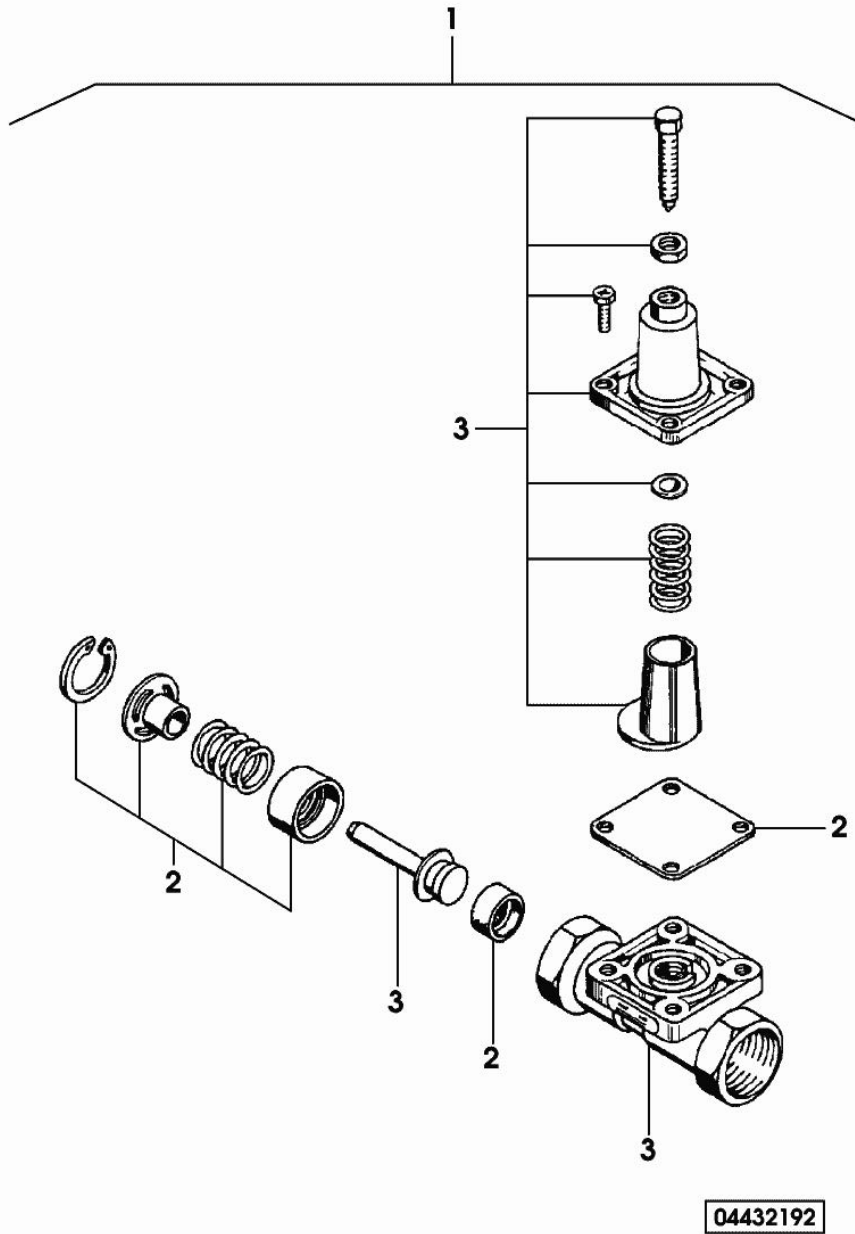
[R6/SPARK 160 T4i VRT -> WSXU490200LL50001]

2	04453867	1	pipe fitting
3	01144832	1	pipe fitting
4	04426733	1	vent
5	04432192	1	valve
			☞ 04432192
6	2.1560.018.0	1	gasket 22.2 x 29



PRESSURE CONTROL VALVE

Fig.	P/n	QTY	Name
1	04432192	1	valve
2	0.900.0460.1	1	spare parts kit
3	0.000.0000.1		cannot be supplied



SELF-ADJUSTING FRONT FENDERS mm 470

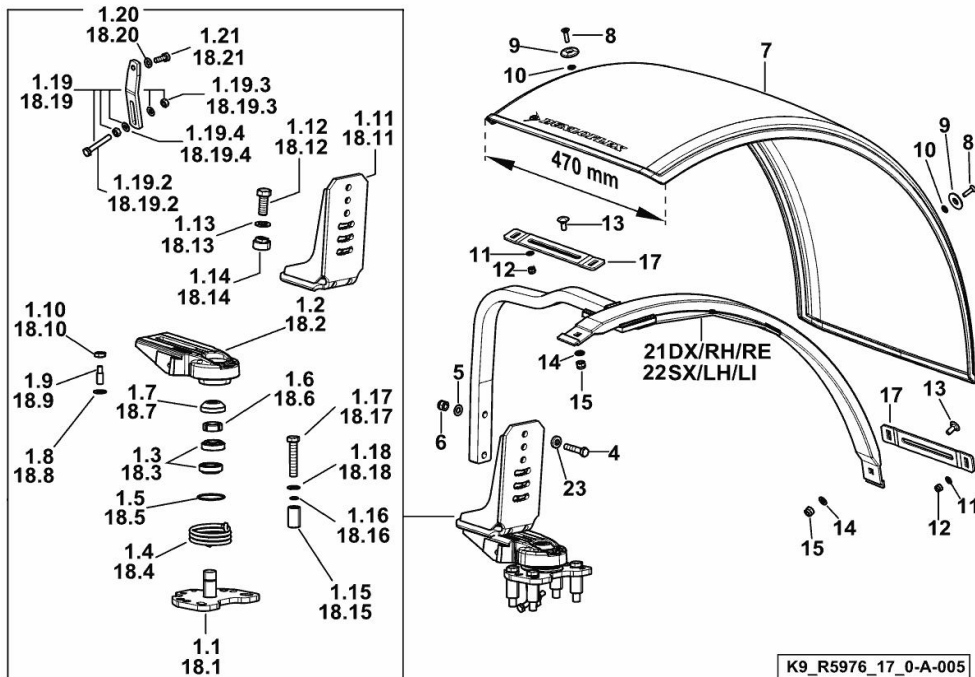


Fig.	P/n	QTY	Name
------	-----	-----	------

Notes:

[R6/SPARK 160 T4i VRT -> WSXU490200LL50001]

1.1	0.018.7702.3	1	support
1.2	0.014.4436.0/10	1	hub
1.3	2.2999.516.0	2	bearing
1.4	2.4099.142.2	1	spring dx/rh/re
1.5	2.1530.125.0	1	oil seal 50.47x2.62
1.6	2.1219.073.2	1	ring nut
1.7	0.018.2881.0	1	cover
1.8	2.0599.113.2	1	grub screw m 14 p.1.5
1.9	2.1475.005.2	1	washer 14
1.10	2.1011.508.2	1	nut m 14 p.1.5
1.11	0.018.2880.2	1	support
1.12	2.0123.715.2	1	screw m 18 p.1.5x40
1.13	0.018.7705.0	1	bush m18x1,5
1.14	2.1310.011.2	1	flat washer 19x34
1.15	2.1549.697.2	4	spacer 19x27x45
1.16	2.1530.033.0	4	oil seal 13.10x2.62
1.17	2.0112.625.2	4	screw m 16 p.2x80
1.18	2.1310.010.2	4	flat washer 17x30
1.19	0.018.6859.3	1	stop
1.19.2	2.0114.321.2	1	screw m 10 p.1.5x70
1.19.3	2.1011.106.2	2	nut m 10 p.1.5
1.19.4	2.1475.103.2	2	washer 10.5
1.20	2.0122.361.2	1	screw m 10 p 1.25 x 30
1.21	2.1310.006.2	1	flat washer 10.5x21
4	2.0112.420.2	4	screw m 12 p.1.75x55
5	2.1011.107.2	8	nut m 12 p.1.75
6	2.1120.007.2	4	self-locking nut m 12 p.1.75
7	0.020.5209.0	2	fender mm 470
8	2.0349.004.0	8	screw m 8 p.1.25 x 30
9	2.1399.020.0/10	8	washer
10	2.1310.004.2	10	flat washer 8.4x17
11	2.1475.002.2	8	conical washer 8
12	2.1120.005.2	8	nut m 8 p.1.25
13	2.0020.306.2	4	screw m 10 x 25
14	2.1475.003.2	4	washer 10
15	2.1120.006.2	4	nut m 10 p.1.5
17	0.019.4607.0	4	plate
18.1	0.018.7702.3	1	support
18.2	0.014.4436.0/10	1	hub
18.3	2.2999.516.0	2	bearing
18.4	2.4099.143.2	1	spring sx/lh/li

Buy Now



Our support email:

ebooklibonline@outlook.com