

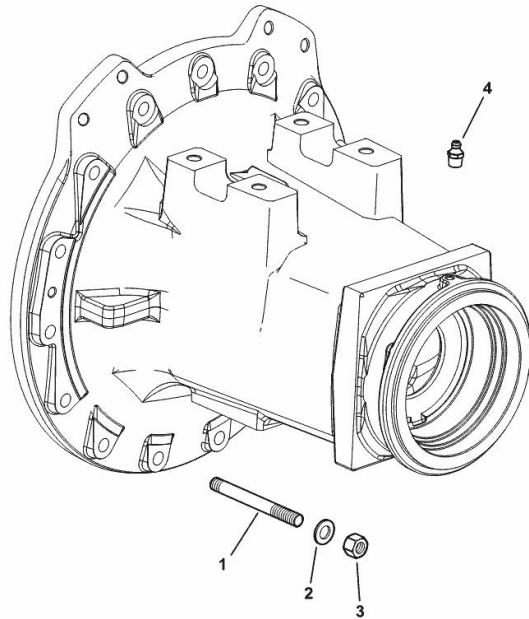
REAR AXLE - MOUNTINGS

Fig.	P/n	QTY	Name
------	-----	-----	------

Notes:

[R6. 150 VRT DCR]

1	2.0432.326.7	30	stud bolt m 14 p.2-1.5x110
2	2.1475.005.7	30	washer 14
3	2.1011.308.2	30	nut m 14 p.1.5
4	2.3820.105.2	2	grease gun m 10 p.1 x 7



9_B7644_01_0-A-001

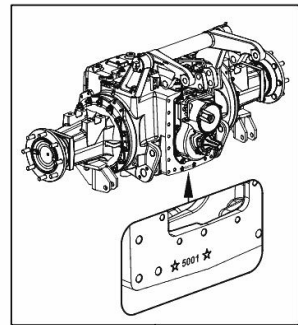
REAR AXLE CROWN WHEEL

Fig.	P/n	QTY	Name
------	-----	-----	------

Notes:

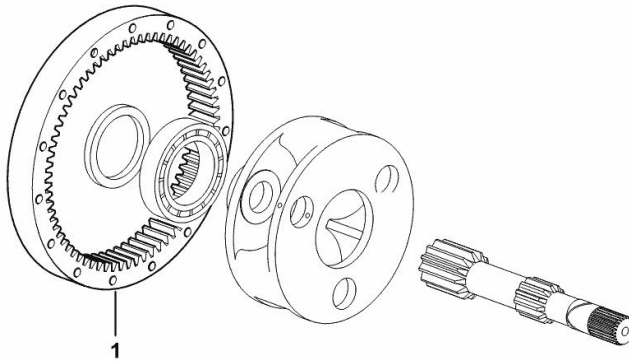
- FOR TYPES WITH FIXED DRIVE SHAFT, APPLIES TO MODELS WITH REAR AXLE SERIAL NUMBERS UP TO 5580 <-- [R6. 150 VRT DCR]

1	0.008.5800.0	2	crown wheel z = 69
---	--------------	---	--------------------



**STAMPIGLIATURA MATRICOLA
PONTE POSTERIORE**
rear axle serial number
printing

9_78347_13_0-B-001



REAR AXLE CROWN WHEEL

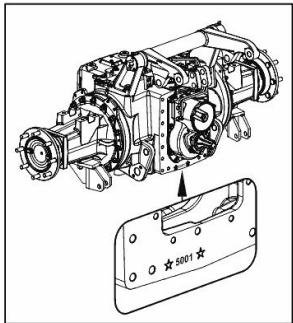
Fig.	P/n	QTY	Name
------	-----	-----	------

Notes:

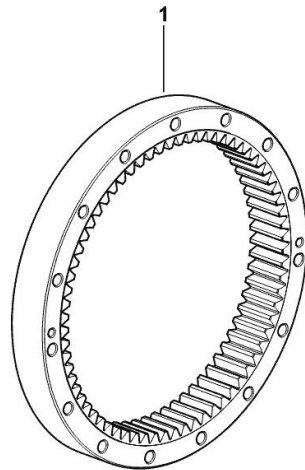
- FOR TYPES WITH FIXED DRIVE SHAFT, APPLIES TO MODELS WITH REAR AXLE SERIAL NUMBERS FROM --> 5581 [R6. 150 VRT DCR] - FOR TYPES WITH EXTENDABLE HALFSHAFTS [R6. 150 VRT DCR]

1	0.008.5800.0/10	2	crown wheel z = 69
---	-----------------	---	--------------------

9_J4247_13_0-A-001



STAMPIGLIATURA MATRICOLA
PONTE POSTERIORE
rear axle serial number
printing



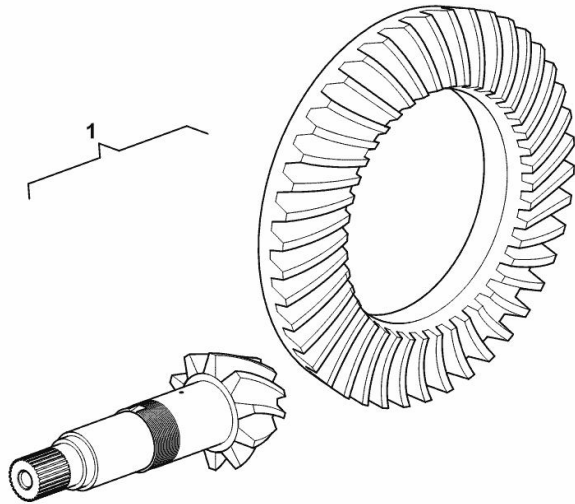
BEVEL WHEEL GEAR - 50 Km/h

Fig.	P/n	QTY	Name
------	-----	-----	------

Notes:

[R6. 150 VRT DCR]

1	0.013.3689.3/30	1	bevel drive Z = 10 / Z = 42
---	-----------------	---	-----------------------------



9_J4235_05_0-A-001

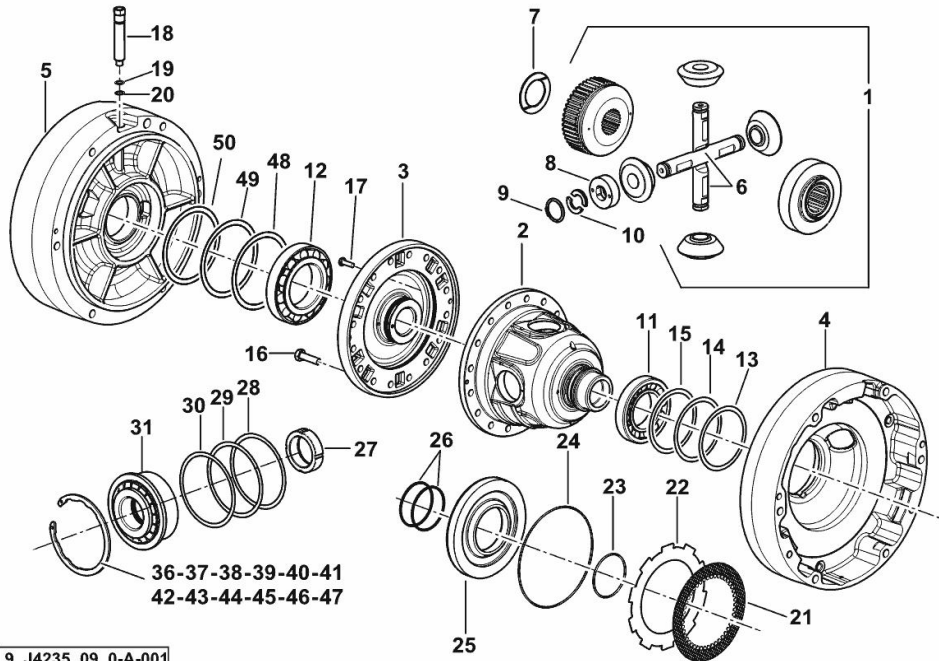
Section: E0 - REAR AXLE
DIFFERENTIAL LOCK

Fig.	P/n	QTY	Name
------	-----	-----	------

Notes:

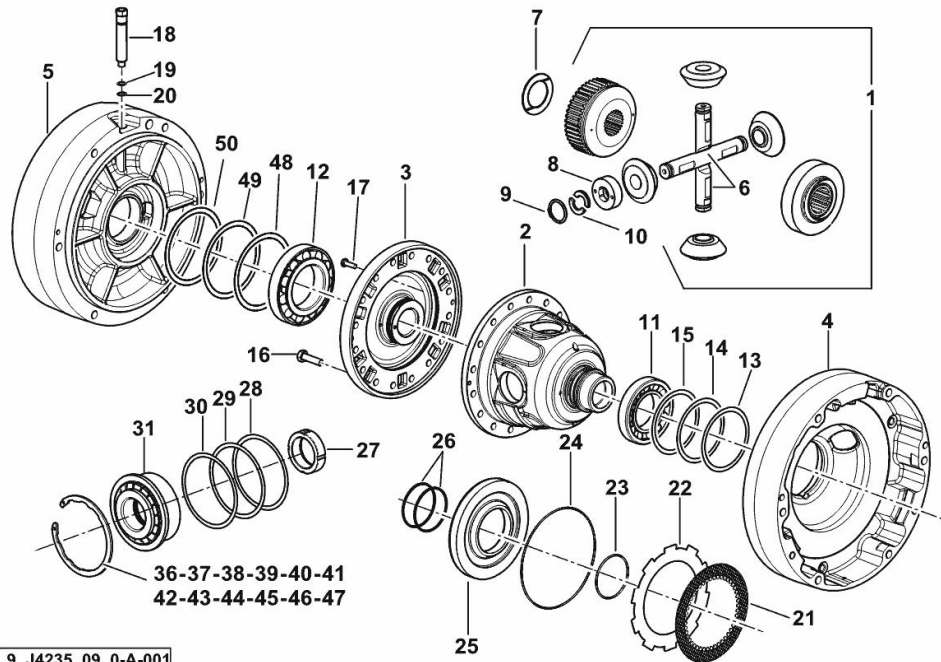
[R6. 150 VRT DCR]

1	0.005.8257.3/20	1	planet gear 6 PIECES IN THE SET
2	0.012.6353.3/20	1	half box
3	0.005.8258.3/20	1	half box
4	0.013.1499.0/40	1	half box
5	0.013.1498.0/40	1	half box
6	0.012.6823.3	1	pin
7	2.1599.889.0	2	slewing ring 55.5x85x2
8	0.264.3550.0/20	4	spacer
9	2.1410.016.1	4	circlip 40
10	0.233.3551.0	8	shoulder ring
11	2.2520.015.0	1	roller bearing 70x125x26.25
12	2.2520.018.0	1	bearing
13	2.1580.419.0	4	shim 105x124x0.2
14	2.1580.420.0	2	shim 105x124x0.5
15	2.1580.421.0	4	shim 105x124x0.05
16	2.0139.013.1	16	screw m 12 p.1.25x45
17	2.0112.209.2	2	screw m 8 p 1.25 x 25
18	0.011.4500.0	1	tube
19	2.1530.034.0	1	oil seal 13.95x2.62
20	2.1560.008.0	1	gasket 12.2 x 18
21	0.013.9447.2	8	disc
22	0.013.9450.0	8	disc
23	2.1539.101.0	1	special oil seal 78.97x3.53
24	2.1539.102.0	1	special oil seal 190.1x3.53
25	0.005.8256.0/10	1	piston
26	2.1569.153.0	2	gasket 85x2x2
27	0.013.3615.0	1	ring nut m 60 p.1.5
28	2.1589.442.0	2	shim 130.2x145x0.50
29	2.1589.443.0	2	shim 130.2x145x0.20
30	2.1589.444.0	2	shim 130.2x145x0.15
31	2.2999.485.0/10	1	roller bearing
36	2.1419.098.0/10	1	circlip 155x5.0
37	2.1419.099.0/10	1	circlip 155x4.9
38	2.1419.100.0/10	1	circlip 155x4.8
39	2.1419.101.0/10	1	circlip 155x4.7
40	2.1419.102.0/10	1	circlip 155x4.6
41	2.1419.103.0/10	1	circlip 155x4.5
42	2.1419.104.0/10	1	circlip 155x4.4
43	2.1419.105.0/10	1	circlip 155x4.3
44	2.1419.106.0/10	1	circlip 155x4.2

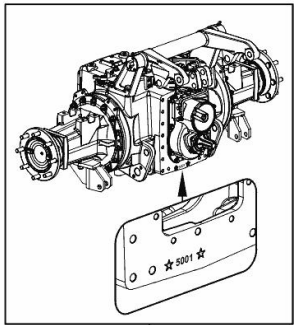


Section: E0 - REAR AXLE
DIFFERENTIAL LOCK

Fig.	P/n	QTY	Name
45	2.1419.130.0	1	circlip 155x3.9
46	2.1419.131.0	1	circlip 155x4.0
47	2.1419.132.0	1	circlip 155x4.1
48	2.1589.089.0	4	shoulder ring 130x149x0.10
49	2.1589.090.0	2	shoulder ring 130x149x0.20
50	2.1589.091.0	4	shoulder ring 130x149x0.50



REAR REDUCTION GEARS AND AXLE SHAFTS



STAMPIGLIATURA MATRICOLA
PONTE POSTERIORE
rear axle serial number
printing

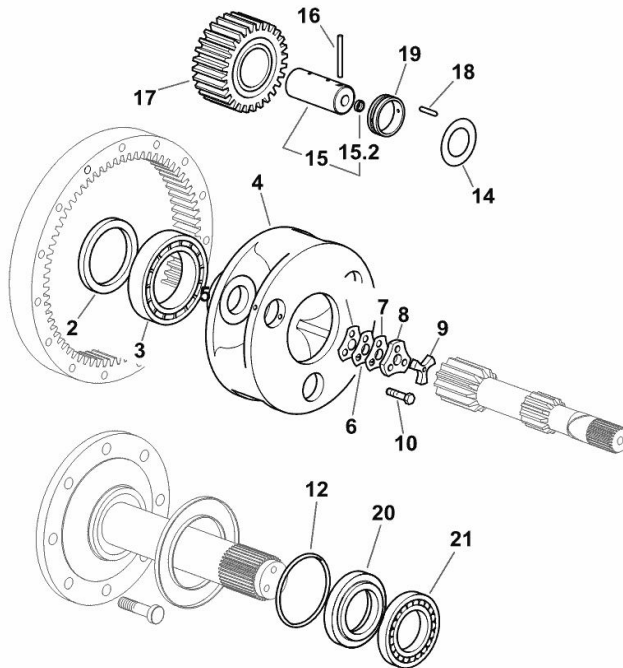


Fig.	P/n	QTY	Name
------	-----	-----	------

Notes:

- FOR TYPES WITH FIXED DRIVE SHAFT, APPLIES TO MODELS WITH REAR AXLE SERIAL NUMBERS UP TO 5580 <-- [R6. 150 VRT DCR]

2	2.1529.056.0/10	2	special oil seal Ø 110/140 x13
3	2.2510.020.0	2	roller bearing Ø 110/170 x38
4	0.008.5990.0/20	2	spider
5	0.212.4765.0	4	shim mm 1.00
6	0.212.4755.0	4	shim mm 0.20
7	0.212.4753.0	4	shim mm 0.15
8	0.212.4752.0/20	2	flange
9	0.212.4751.0	2	spacer
10	2.0139.031.7	6	screw m 12 p.1.25x60
12	2.1532.171.0	2	oil seal 72.39x5.34
14	2.1599.675.0	12	shoulder 54.3x90x1.5
15	0.008.5992.3/10	6	pin
15.2	2.3179.010.4	2	plug
16	2.1630.722.0	6	roll pin
17	0.008.5991.0	6	planet gear
18	2.2999.293.0	240	roller 10 x 28
19	0.008.5993.0	6	spacer
20	0.007.7633.0/20	2	spacer
21	2.2520.018.0	2	bearing

9_60047_10_0-A-001

Buy Now



Our support email:

ebooklibonline@outlook.com