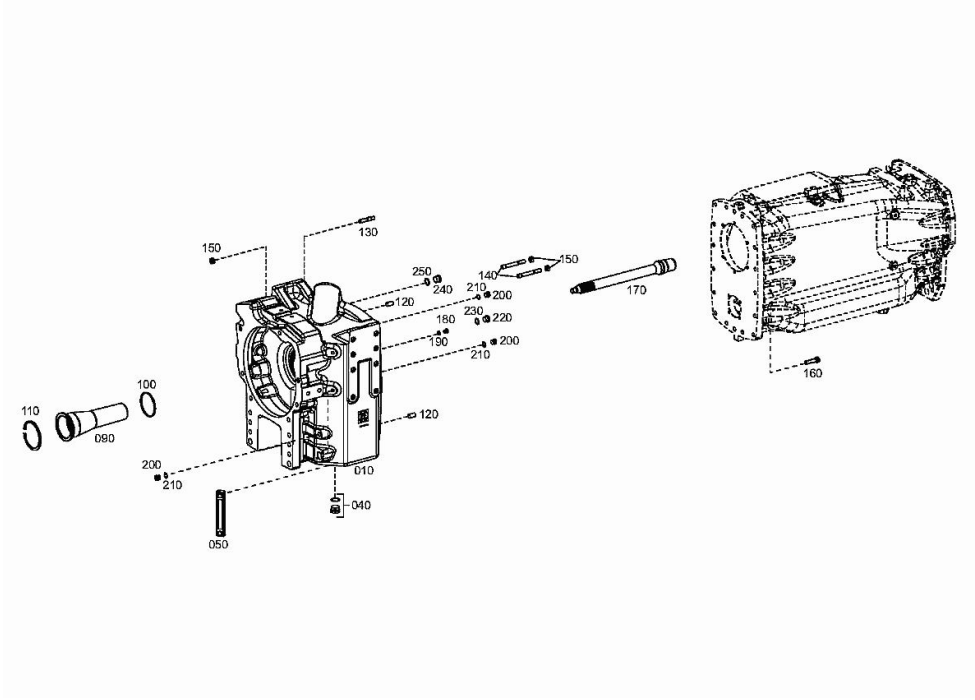


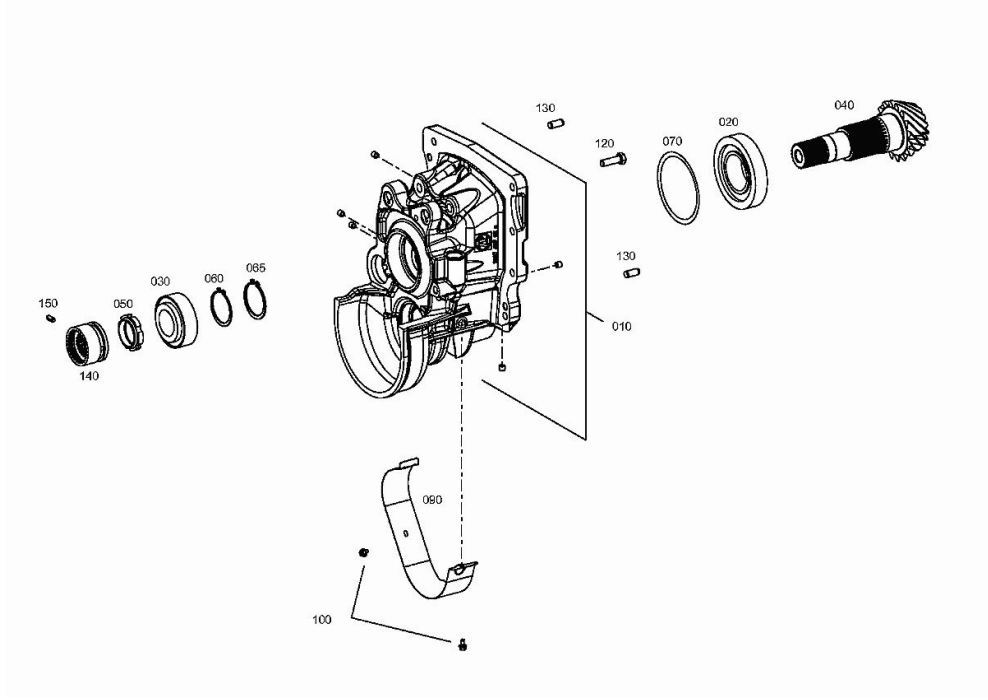
**JUNCTION CASE - 2097 004 001**

Fig.	P/n	QTY	Name
10	0.900.1567.7	1	box
40	0.900.1445.1	2	plug m 33x2
50	0.900.1221.2	1	level indicator
90	0.900.1221.3	1	tube
100	0.900.1221.4	1	oil seal 102 x 6
110	0.900.1221.5	1	circlip 125x4
120	0.900.1220.5	2	cylindrical plug
130	0.900.1445.8	4	grub screw m 14 x 55
140	0.900.1445.9	2	grub screw m 14x100
150	0.900.1618.7	6	nut m14
160	0.900.1444.3	10	screw m 14 x 55
170	0.900.1221.9	1	shaft
180	0.900.1222.0	1	plug
190	0.900.1222.1	1	gasket
200	0.900.0291.5	3	plug
210	0.900.0290.5	3	circlip
220	0.010.2622.3	2	screw m 22 x 1.5
230	01118737	2	oil seal 22 x 27
240	0.900.0291.3	1	plug m 26 p.1.5
250	0.900.0290.8	1	circlip 26x31



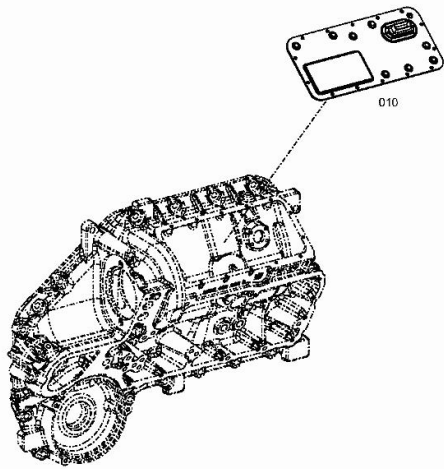
**FLANGE - 2097 004 001**

Fig.	P/n	QTY	Name
10	0.900.1447.8	1	box
20	0.900.1222.3	1	bearing
30	0.900.1222.4	1	bearing
40	0.900.1222.5	1	pinion
50	0.900.1222.6	1	ring nut
60	0.900.1222.7	1	circlip 63x2
65	0.900.1222.8	1	circlip 63x2.5
70	0.900.1222.9	1	shim mm = 1.10
70	0.900.1223.0	1	shim mm = 1.15
70	0.900.1223.1	1	shim mm = 1.20
70	0.900.1223.2	1	shim mm = 1.25
70	0.900.1223.3	1	shim mm = 1.30
70	0.900.1223.4	1	shim mm 1.35
70	0.900.1223.5	1	shim mm = 1.40
70	0.900.1223.6	1	shim mm = 1.45
70	0.900.1223.7	1	shim mm 1.50
70	0.900.1223.8	1	shim mm = 1.55
70	0.900.1223.9	1	shim mm = 1.60
70	0.900.1224.0	1	shim mm = 1.65
70	0.900.1224.1	1	shim mm = 1.70
90	0.900.1447.7	1	cover
100	0.900.1444.9	2	screw m 6 x 12
120	0.010.2885.1	8	screw m 12 x 40
130	0.900.1224.5	2	cylindrical plug
140	0.900.1224.6	1	sleeve
150	0.900.1224.7	1	pin 8x20



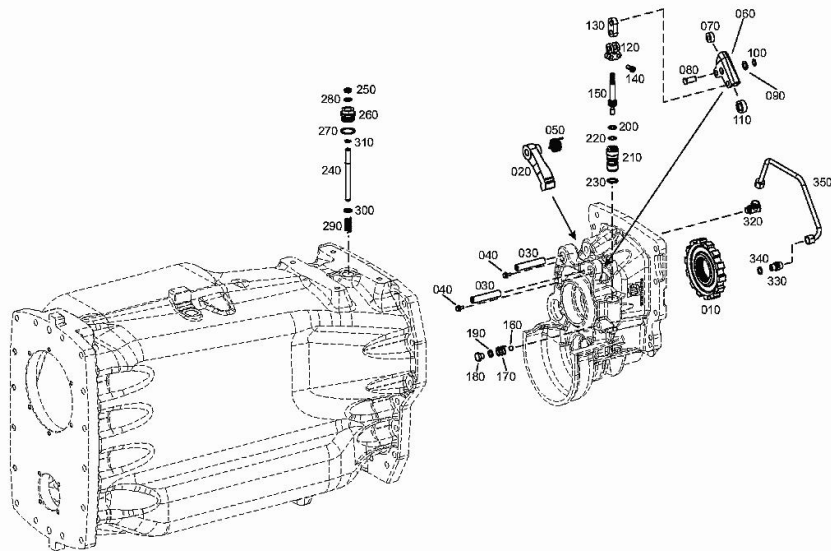
**TRANSMISSION CONTROL UNIT - 2097 004 001**

Fig.	P/n	QTY	Name
10	0.900.1253.6	1	control



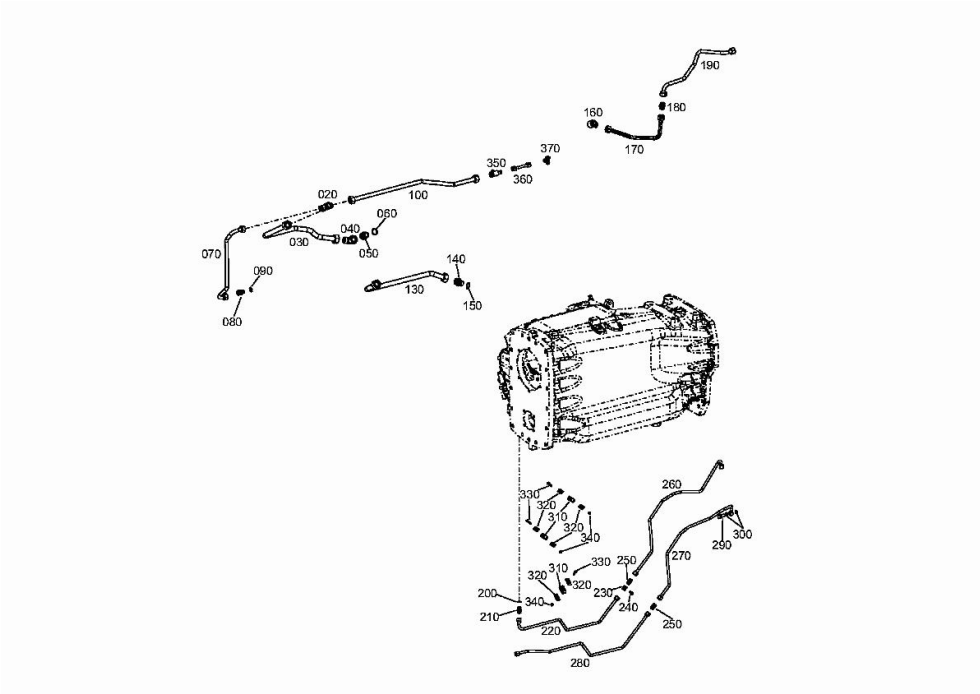
**PARKING LOCK - 2097 004 001**

Fig.	P/n	QTY	Name
10	0.900.1229.5	1	gear
20	0.900.1229.6	1	lever
30	0.900.1229.7	2	pin
40	0.900.1444.9	2	screw m 6 x 12
50	0.900.1229.8	1	spring
60	0.900.1391.9	1	lever
70	0.900.1230.0	1	support
80	0.900.1230.1	3	pin
90	0.900.1230.2	5	spacer
100	0.900.1230.3	3	circlip
110	0.900.1230.4	1	support
120	0.900.1230.5	1	fork
130	0.900.1230.6	1	stay
140	0.900.0469.9	2	screw m 8 p.1.25 x 20
150	0.900.1230.8	1	small piston
160	04309268	1	ball
170	0.900.1230.9	1	spring
180	0.900.0470.0	1	plug m 14 p.1.5
190	04423731	1	oil seal 14 x 18
200	0.900.1231.0	1	oil seal
210	0.900.1231.1	1	cylinder
220	0.900.1231.2	1	oil seal 13x2.5
230	04433588	1	oil seal 20x3
240	0.900.1620.5	1	pin
250	0.900.1231.4	1	small cover
260	0.900.1392.5	1	pipe fitting
270	0.010.2897.0	1	gasket 30x36
280	0.900.1231.2	1	oil seal 13x2.5
290	0.900.1392.1	1	spring
300	0.900.0277.9	1	washer
310	0.900.1390.2	1	circlip 12X1
320	0.900.1446.3	1	pipe fitting
330	04417466	1	pipe fitting
340	04423731	1	oil seal 14 x 18
350	0.900.1392.3	1	tube



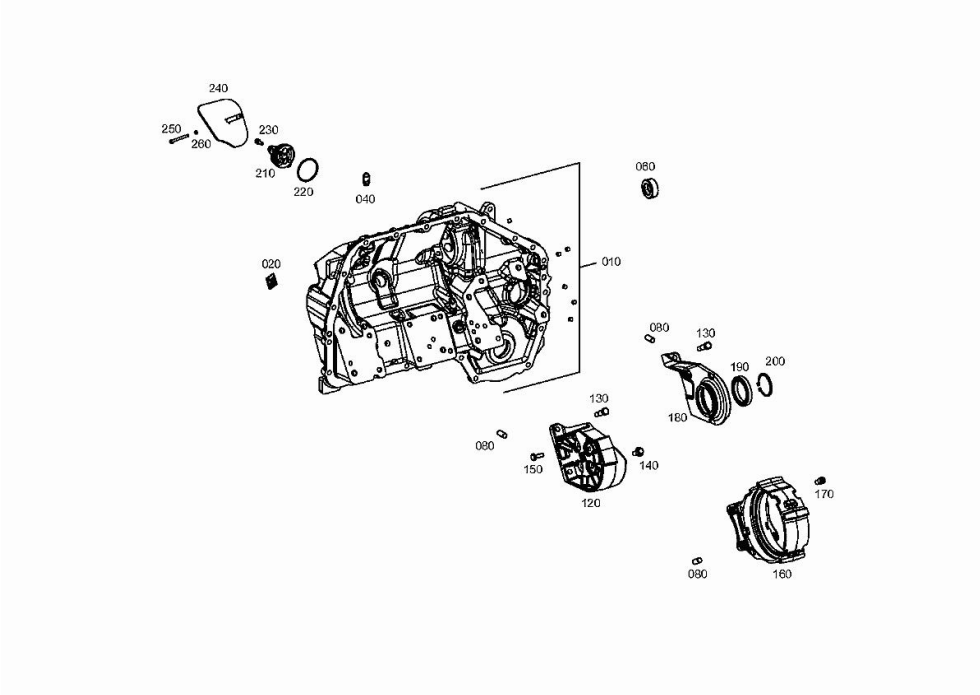
**OIL SUPPLY - 2097 004 001**

Fig.	P/n	QTY	Name
20	0.900.1232.5	1	pipe fitting
30	0.900.1232.6	1	tube
40	0.900.1232.7	1	pipe fitting
50	0.900.0470.3	1	pipe union
60	0.010.2899.0	1	gasket 26x31
70	0.900.1232.8	1	tube
80	0.900.0282.3	1	pipe union
90	0.900.0290.5	1	circlip
100	0.900.1232.9	1	tube
130	0.900.1233.0	1	tube
140	0.900.0470.3	1	pipe union
150	0.010.2899.0	1	gasket 26x31
160	0.900.1446.2	1	pipe fitting
170	0.900.1233.2	1	tube
180	0.900.1233.3	1	pipe fitting
190	0.900.1233.4	1	tube
200	04423731	1	oil seal 14 x 18
210	04417466	1	pipe fitting
220	0.900.1233.5	1	tube
230	0.900.1233.6	1	clamp
240	0.900.1444.9	1	screw m 6 x 12
250	0.900.1233.7	2	pipe fitting
260	0.900.1233.8	1	tube
270	0.900.1233.9	1	tube
280	0.900.1391.1	1	tube
290	0.900.0282.1	1	pipe union
300	04423731	2	oil seal 14 x 18
310	0.900.1234.1	3	clamp
320	0.900.1234.2	6	small cover
330	0.900.1234.3	3	screw 6x25
340	0.900.1234.4	3	nut m 6
350	0.900.1234.5	1	pipe fitting
360	0.900.1234.6	1	tube
370	0.900.1446.3	1	pipe fitting



**GEAR BOX, HYDR. - 2097 004 001**

Fig.	P/n	QTY	Name
10	0.900.1240.5	1	box
20	0.900.0482.2	1	plate
40	0.900.1240.7	1	valve
60	0.900.1240.9	1	plug
80	0.900.1241.0	4	cylindrical plug
120	0.900.1241.1	1	console
130	0.900.1241.2	4	screw
140	0.900.1444.8	2	screw m 12 x 30
150	0.900.1444.0	4	screw m 10 x 30
160	0.900.1241.4	1	support
170	0.900.1445.4	4	screw m 12 x 25
180	0.900.1241.6	1	console
190	0.900.1390.5	1	ball bearing 65x90x13
200	0.900.1236.5	1	circlip
210	0.900.1241.8	1	small cover
220	0.900.1241.9	1	oil seal
230	04434551	2	screw m 8 p.1.25 x 20
240	0.900.1242.1	1	cover
250	0.900.1443.7	1	screw m 6 x 100
260	0.900.1242.3	1	gasket





**Buy Now**



Our support email:

[ebooklibonline@outlook.com](mailto:ebooklibonline@outlook.com)