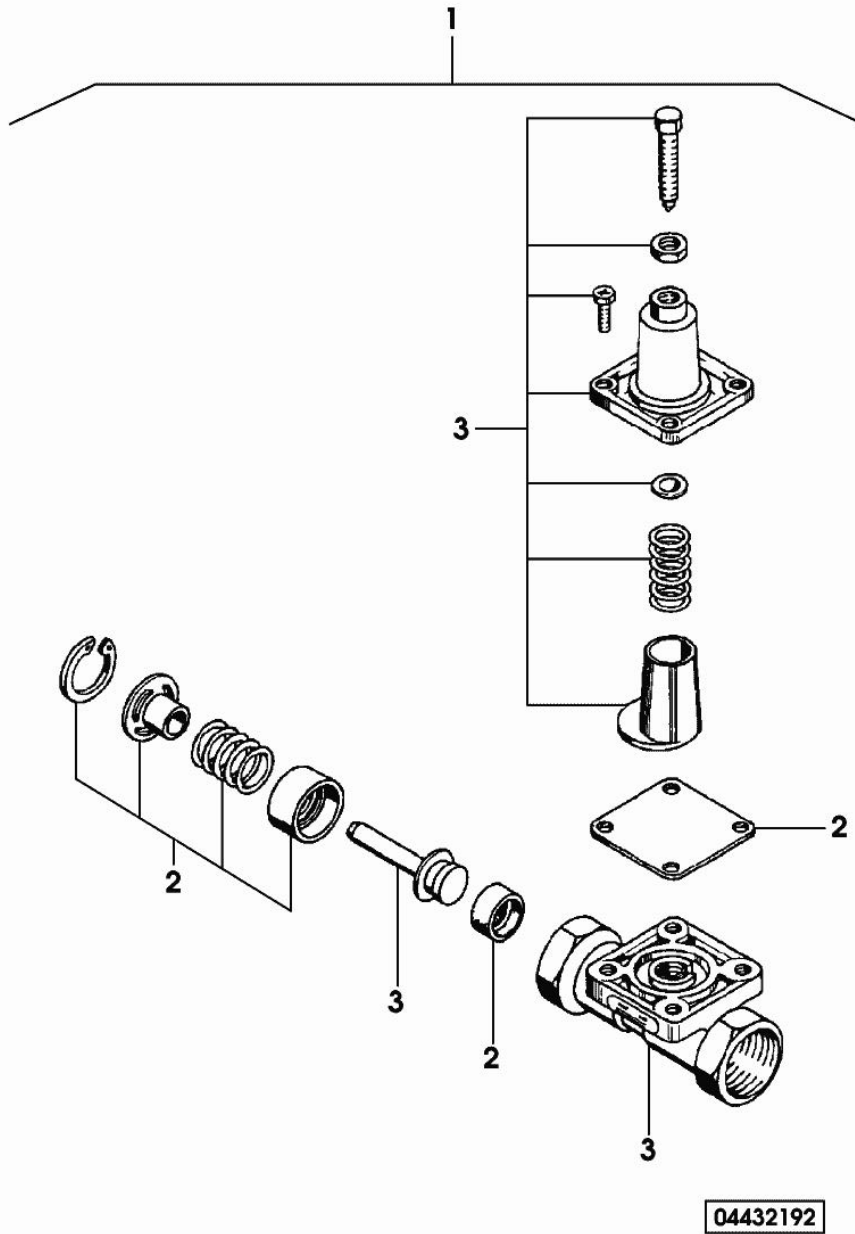


PRESSURE CONTROL VALVE

Fig.	P/n	QTY	Name
1	04432192	1	valve
2	0.900.0460.1	1	spare parts kit
3	0.000.0000.1		cannot be supplied



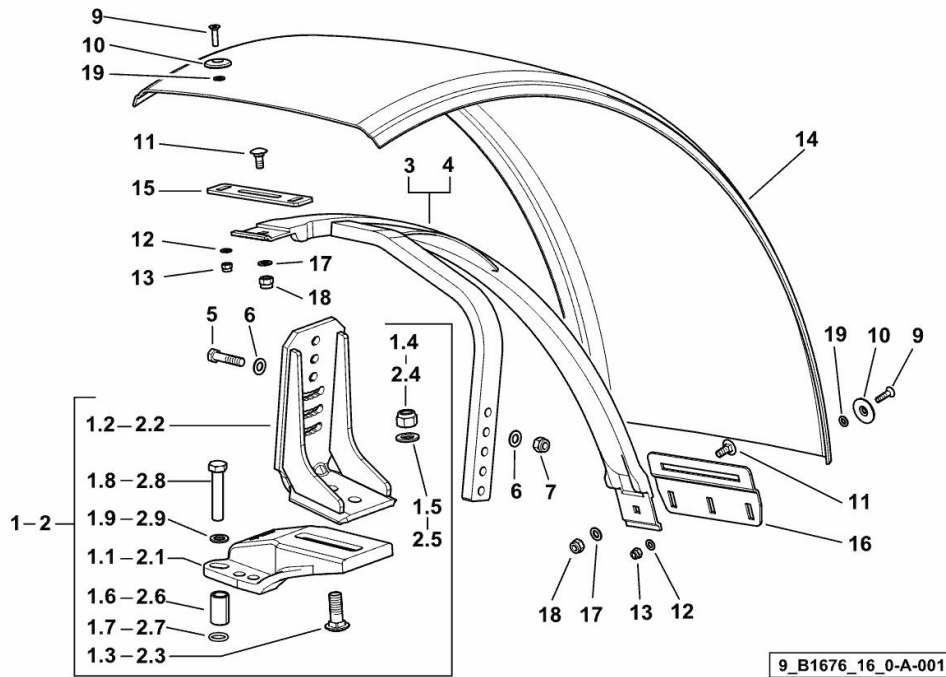
FRONT MUDGUARDS mm 420

Fig.	P/n	QTY	Name
------	-----	-----	------

Notes:

[R6.100 -> ZKDJ830200TL10001]

1	0.018.7524.4	1	support
1.1	0.014.7120.0/10	1	bracket
1.2	0.018.2880.2	1	support
1.3	2.0029.510.2	1	screw m18x50
1.4	2.1120.210.2	1	self-locking nut m 18 p.1.5
1.5	2.1310.011.2	1	flat washer 19x34
1.6	2.1549.697.2	4	spacer 19x27x45
1.7	2.1530.033.0	4	oil seal 13.10x2.62
1.8	2.0112.625.2	4	screw m 16 p.2x80
1.9	2.1310.010.2	4	flat washer 17x30
2	0.018.7524.4	1	support
2.1	0.014.7120.0/10	1	bracket
2.2	0.018.2880.2	1	support
2.3	2.0029.510.2	1	screw m18x50
2.4	2.1120.210.2	1	self-locking nut m 18 p.1.5
2.5	2.1310.011.2	1	flat washer 19x34
2.6	2.1549.697.2	4	spacer 19x27x45
2.7	2.1530.033.0	4	oil seal 13.10x2.62
2.8	2.0112.625.2	4	screw m 16 p.2x80
2.9	2.1310.010.2	4	flat washer 17x30
3	0.014.7115.2	1	chassis frame dx/rh/re
4	0.014.7118.2	1	chassis frame sx/lh/li
5	2.0112.420.2	4	screw m 12 p.1.75x55
6	2.1475.004.2	8	spring washer 12
7	2.1120.007.2	4	self-locking nut m 12 p.1.75
9	2.0349.004.0	10	screw m 8 p.1.25 x 30
10	2.1399.020.0/10	10	washer
11	2.0020.306.2	4	screw m 10 x 25
12	2.1475.002.2	10	conical washer 8
13	2.1120.005.2	10	nut m 8 p.1.25
14	04415574/10	2	fender mm 420
15	0.015.1975.0	2	plate
16	0.015.1976.0	2	plate
17	2.1475.003.2	4	washer 10
18	2.1120.006.2	4	nut m 10 p.1.5
19	2.1310.004.2	10	flat washer 8.4x17

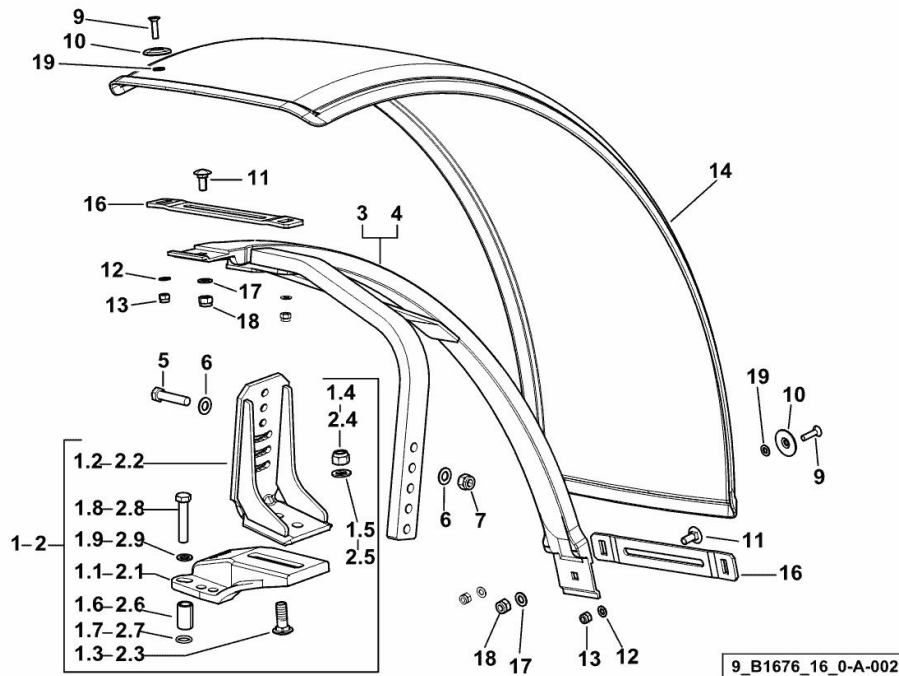


FRONT MUDGUARDS mm 420

Fig.	P/n	QTY	Name
------	-----	-----	------

Notes:

[R6.100 -> ZKDJ830200TL10001]



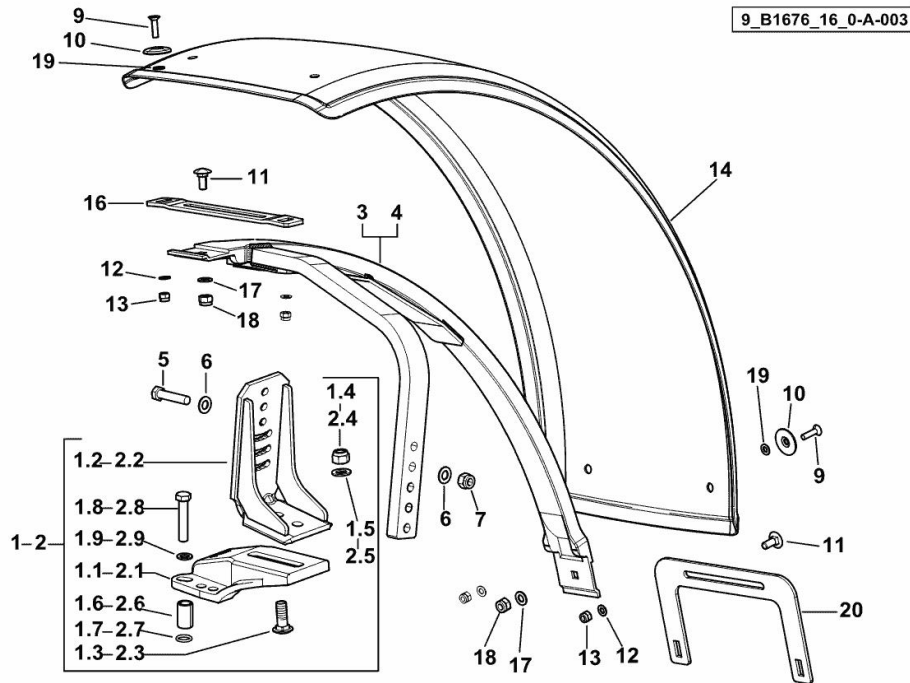
1	0.018.7524.4	1	support
1.1	0.014.7120.0/10	1	bracket
1.2	0.018.2880.2	1	support
1.3	2.0029.510.2	1	screw m18x50
1.4	2.1120.210.2	1	self-locking nut m 18 p.1.5
1.5	2.1310.011.2	1	flat washer 19x34
1.6	2.1549.697.2	4	spacer 19x27x45
1.7	2.1530.033.0	4	oil seal 13.10x2.62
1.8	2.0112.625.2	4	screw m 16 p.2x80
1.9	2.1310.010.2	4	flat washer 17x30
2	0.018.7524.4	1	support
2.1	0.014.7120.0/10	1	bracket
2.2	0.018.2880.2	1	support
2.3	2.0029.510.2	1	screw m18x50
2.4	2.1120.210.2	1	self-locking nut m 18 p.1.5
2.5	2.1310.011.2	1	flat washer 19x34
2.6	2.1549.697.2	4	spacer 19x27x45
2.7	2.1530.033.0	4	oil seal 13.10x2.62
2.8	2.0112.625.2	4	screw m 16 p.2x80
2.9	2.1310.010.2	4	flat washer 17x30
3	0.019.4605.3	1	chassis frame dx/rh/re
4	0.019.4606.3	1	chassis frame sx/lh/li
5	2.0112.420.2	4	screw m 12 p.1.75x55
6	2.1475.004.2	8	spring washer 12
7	2.1120.007.2	4	self-locking nut m 12 p.1.75
9	2.0349.004.0	8	screw m 8 p.1.25 x 30
10	2.1399.020.0/10	8	washer
11	2.0020.306.2	4	screw m 10 x 25
12	2.1475.002.2	8	conical washer 8
13	2.1120.005.2	8	nut m 8 p.1.25
14	0.015.0414.0	2	fender mm 410
16	0.019.4607.0	4	plate
17	2.1475.003.2	4	washer 10
18	2.1120.006.2	4	nut m 10 p.1.5
19	2.1310.004.2	10	flat washer 8.4x17

FRONT MUDGUARDS mm 420

Fig.	P/n	QTY	Name
------	-----	-----	------

Notes:

[R6.100 -> ZKDJ830200TL10001]



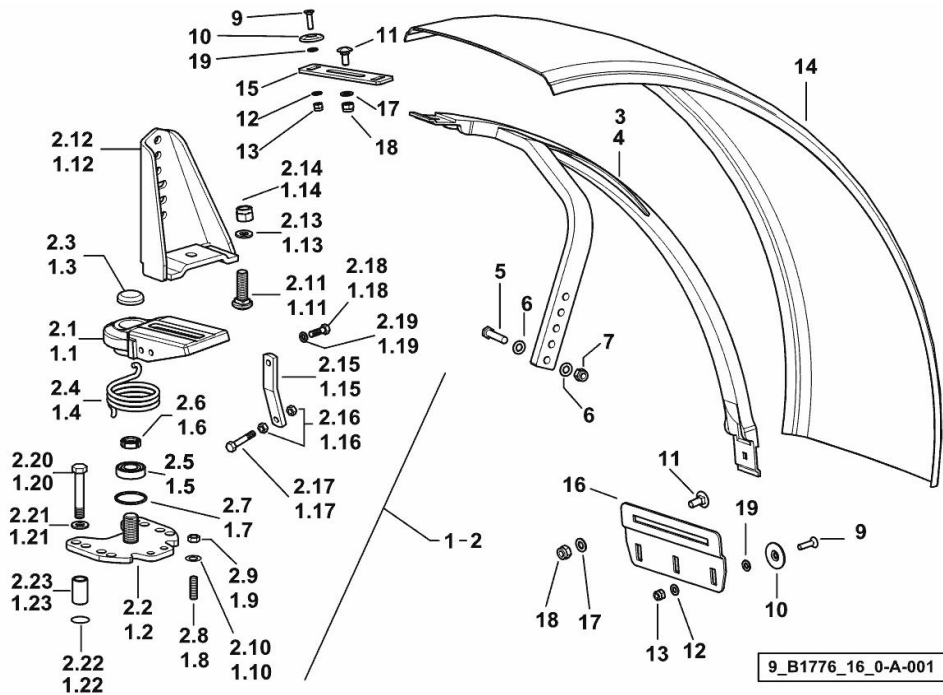
1	0.018.7524.4	1	support
1.1	0.014.7120.0/10	1	bracket
1.2	0.018.2880.2	1	support
1.3	2.0029.510.2	1	screw m18x50
1.4	2.1120.210.2	1	self-locking nut m 18 p.1.5
1.5	2.1310.011.2	1	flat washer 19x34
1.6	2.1549.697.2	4	spacer 19x27x45
1.7	2.1530.033.0	4	oil seal 13.10x2.62
1.8	2.0112.625.2	4	screw m 16 p.2x80
1.9	2.1310.010.2	4	flat washer 17x30
2	0.018.7524.4	1	support
2.1	0.014.7120.0/10	1	bracket
2.2	0.018.2880.2	1	support
2.3	2.0029.510.2	1	screw m18x50
2.4	2.1120.210.2	1	self-locking nut m 18 p.1.5
2.5	2.1310.011.2	1	flat washer 19x34
2.6	2.1549.697.2	4	spacer 19x27x45
2.7	2.1530.033.0	4	oil seal 13.10x2.62
2.8	2.0112.625.2	4	screw m 16 p.2x80
2.9	2.1310.010.2	4	flat washer 17x30
3	0.019.4605.3/10	1	chassis frame dx/rh/re
4	0.019.4606.3/10	1	chassis frame sx/lh/li
5	2.0112.420.2	4	screw m 12 p.1.75x55
6	2.1475.004.2	8	spring washer 12
7	2.1120.007.2	4	self-locking nut m 12 p.1.75
9	2.0349.004.0	8	screw m 8 p.1.25 x 30
10	2.1399.020.0/10	8	washer
11	2.0020.306.2	4	screw m 10 x 25
12	2.1475.002.2	8	conical washer 8
13	2.1120.005.2	8	nut m 8 p.1.25
14	0.020.5208.0	2	fender
16	0.019.4607.0	2	plate
17	2.1475.003.2	4	washer 10
18	2.1120.006.2	4	nut m 10 p.1.5
19	2.1310.004.2	10	flat washer 8.4x17
20	0.020.5263.0	2	plate

SELF-ADJUSTING FRONT FENDERS mm 420

Fig.	P/n	QTY	Name
------	-----	-----	------

Notes:

[R6.100 -> ZKDJ830200TL10001] 10004 <-



1	0.014.7111.4/20	1	support dx/rh/re
1.1	0.014.7112.0	1	hub
1.2	0.014.7113.3	1	plate
1.3	0.014.7122.0	1	cover
1.4	0.014.7114.0	1	spring dx/rh/re
1.5	2.2999.501.0	2	special bearing
1.6	2.1220.006.2	1	ring nut m 25 x 1,5
1.7	2.1530.140.0	1	rubber ring 56.82x2.62
1.8	2.0599.113.2	1	grub screw m 14 p.1.5
1.9	2.1011.508.2	1	nut m 14 p.1.5
1.10	2.1475.005.2	1	washer 14
1.11	2.0029.510.2	1	screw m18x50
1.12	0.014.4437.3	1	support dx/rh/re
1.13	2.1310.011.2	1	flat washer 19x34
1.14	2.1120.210.2	1	self-locking nut m 18 p.1.5
1.15	0.014.7123.0/10	1	plate
1.16	2.1011.106.2	2	nut m 10 p.1.5
1.17	2.0114.321.2	1	screw m 10 p.1.5x70
1.18	2.0122.361.2	1	screw m 10 p 1.25 x 30
1.19	2.1310.006.2	1	flat washer 10.5x21
1.20	2.0112.622.2	4	screw m 16 p.2x65
1.21	2.1310.010.2	4	flat washer 17x30
1.22	2.1530.033.0	4	oil seal 13.10x2.62
1.23	2.1549.628.2	4	spacer 19x27x28
2	0.014.7116.4/20	1	support sx/lh/li
2.1	0.014.7112.0	1	hub
2.2	0.014.7113.3	1	plate
2.3	0.014.7122.0	1	cover
2.4	0.014.7117.0	1	spring sx/lh/li
2.5	2.2999.501.0	2	special bearing
2.6	2.1220.006.2	1	ring nut m 25 x 1,5
2.7	2.1530.140.0	1	rubber ring 56.82x2.62
2.8	2.0599.113.2	1	grub screw m 14 p.1.5
2.9	2.1011.508.2	1	nut m 14 p.1.5
2.10	2.1475.005.2	1	washer 14
2.11	2.0029.510.2	1	screw m18x50
2.12	0.014.4447.3	1	support sx/lh/li
2.13	2.1310.011.2	1	flat washer 19x34
2.14	2.1120.210.2	1	self-locking nut m 18 p.1.5
2.15	0.014.7123.0/10	1	plate
2.16	2.1011.108.2	2	nut m 14 p.2

SELF-ADJUSTING FRONT FENDERS mm 420

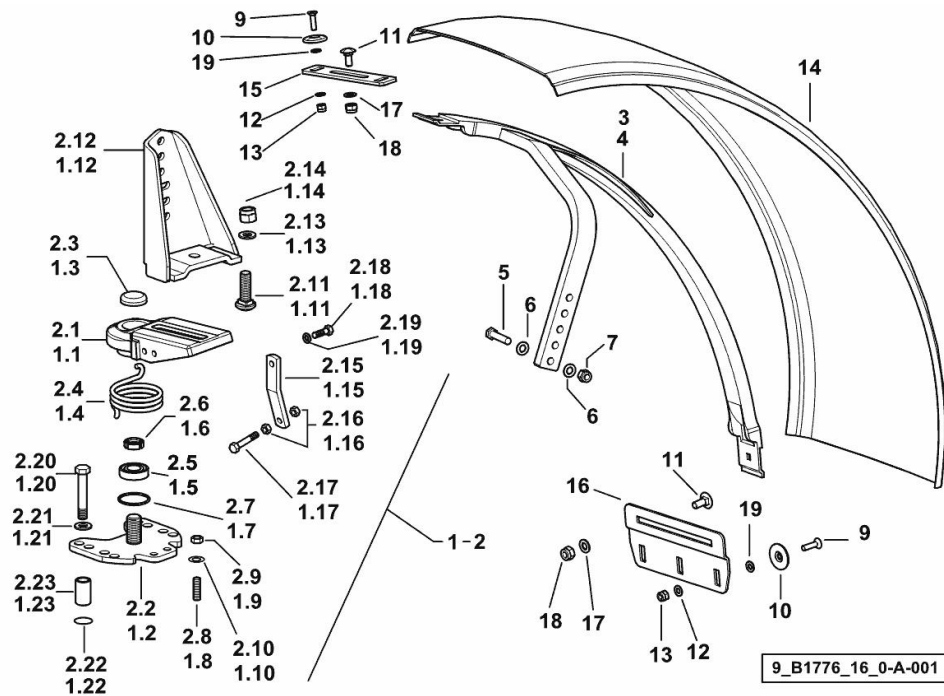


Fig.	P/n	QTY	Name
2.17	2.0114.321.2	1	screw m 10 p.1.5x70
2.18	2.0122.361.2	1	screw m 10 p 1.25 x 30
2.19	2.1310.006.2	1	flat washer 10.5x21
2.20	2.0112.622.2	4	screw m 16 p.2x65
2.21	2.1310.010.2	4	flat washer 17x30
2.22	2.1530.033.0	4	oil seal 13.10x2.62
2.23	2.1549.628.2	4	spacer 19x27x28
3	0.014.7115.2	1	chassis frame dx/rh/re
4	0.014.7118.2	1	chassis frame sx/lh/li
5	2.0112.420.2	4	screw m 12 p.1.75x55
6	2.1475.004.2	8	spring washer 12
7	2.1120.007.2	4	self-locking nut m 12 p.1.75
9	2.0349.002.3	10	screw m 8 p.1.25 x 30
10	2.1399.020.0/10	10	washer
11	2.0020.306.2	4	screw m 10 x 25
12	2.1475.002.2	10	conical washer 8
13	2.1120.005.2	10	nut m 8 p.1.25
14	04415574/10	2	fender mm 420
15	0.015.1975.0	2	plate
16	0.015.1976.0	2	plate
17	2.1475.003.2	4	washer 10
18	2.1120.006.2	4	nut m 10 p.1.5
19	2.1310.004.2	10	flat washer 8.4x17

Buy Now



Our support email:

ebooklibonline@outlook.com