

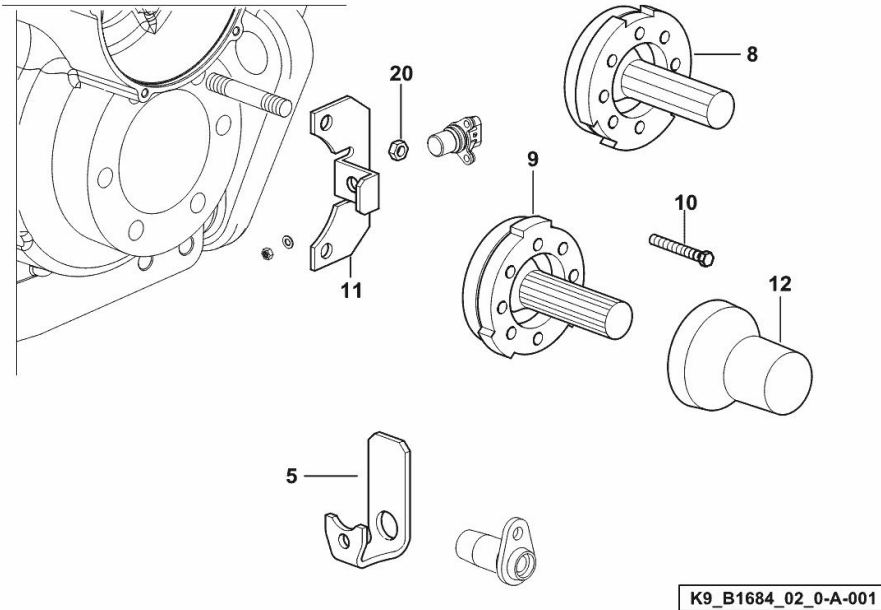
COMPLETION

Fig.	P/n	QTY	Name
------	-----	-----	------

Notes:

- EXPORT U.S.A. [R6.100]

5	04418427/10	1	bracket
8	04455065.3	1	power take-off shaft Z = 6
9	04455303.3	1	power take-off shaft Z = 21
10	2.0119.251.2	8	screw m 12 p.1.75 x 60
11	0.012.9605.0/10	1	support
12	0.012.9643.0/10	1	guard
20	2.1011.105.2	2	nut m 8 p.1.25

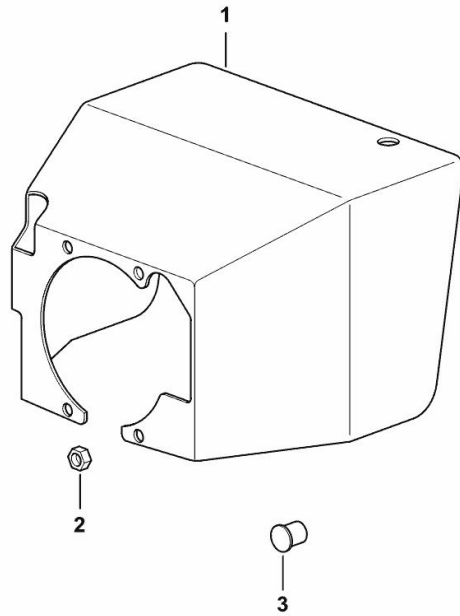


P.T.O. SHAFT PROTECTOR REAR

Fig.	P/n	QTY	Name
------	-----	-----	------

Notes:
[R6.100]

1	04419617/10	1	guard
2	2.1011.105.2	4	nut m 8 p.1.25
3	01167319	21	bottom



K9_95336_20_0-A-001

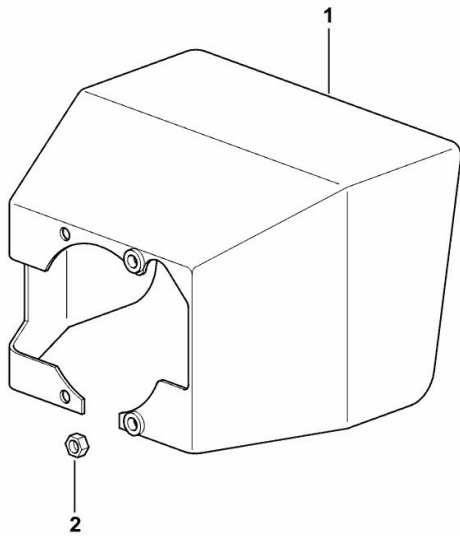
P.T.O. SHAFT PROTECTOR REAR

Fig.	P/n	QTY	Name
------	-----	-----	------

Notes:

- EXPORT U.S.A. [R6.100]

1	0.013.0049.3	1	guard
2	2.1011.105.2	4	nut m 8 p.1.25



K9_A3536_20_0-A-001

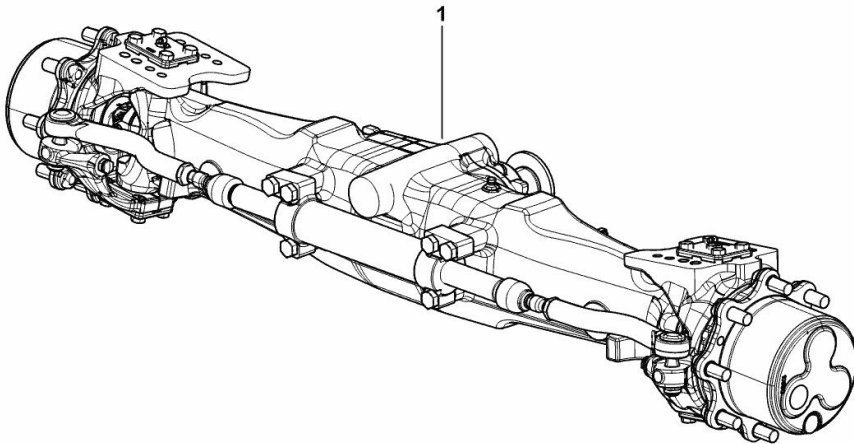
Section: F0 - FRONT AXLE
4WD - FRONT DRIVE AXLE

Fig.	P/n	QTY	Name
------	-----	-----	------

Notes:

- WITH SELF-LOCKING DISC DIFF LOCK [R6.100]

1	0.014.0321.4/20	1	front axle
			☞ 0.014.0321.4/20
			☞ 0.014.0321.4/20
			☞ 0.014.0321.4/20
			☞ 0.014.0321.4/20
			☞ 0.014.0321.4/20
			☞ 0.014.0321.4/20
			☞ 0.014.0321.4/20



K9_D4943_02_0-A-001

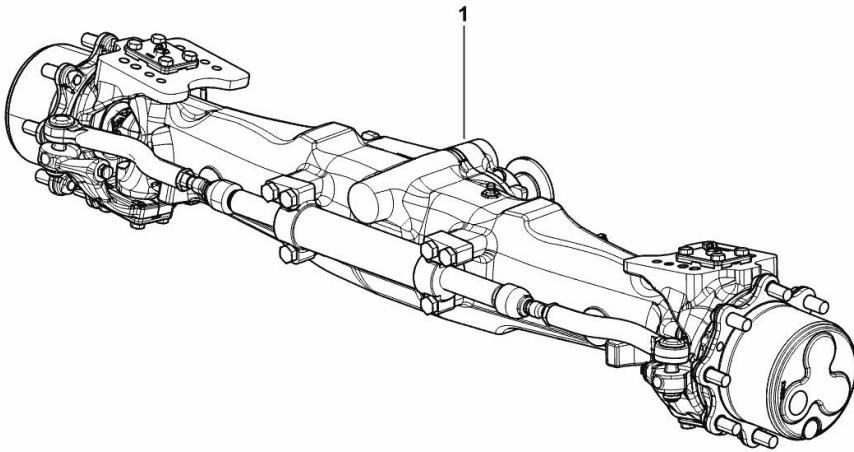
Section: F0 - FRONT AXLE
4WD - FRONT DRIVE AXLE

Fig.	P/n	QTY	Name
------	-----	-----	------

Notes:

- WITH ELECTRO-HYDRAULIC DISC DIFF LOCK [R6.100]

1	0.014.0320.4/20	1	front axle
			☞ 0.014.0320.4/20
			☞ 0.014.0320.4/20
			☞ 0.014.0320.4/20
			☞ 0.014.0320.4/20
			☞ 0.014.0320.4/20
			☞ 0.014.0320.4/20
			☞ 0.014.0320.4/20



K9_D4943_03_0-A-001

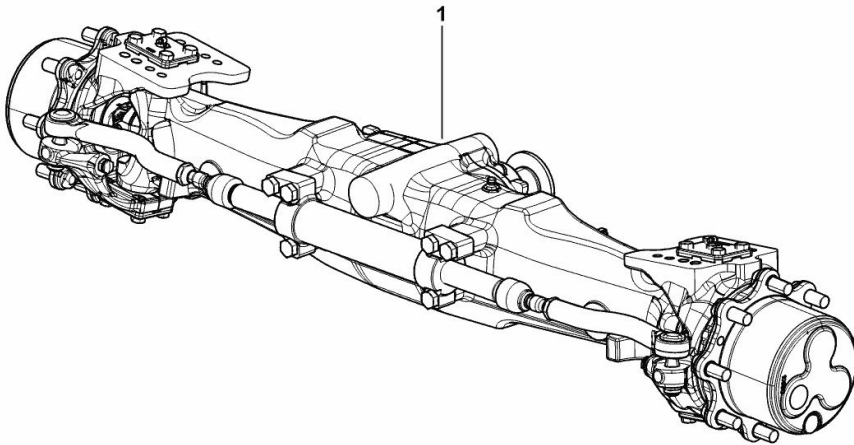
Section: F0 - FRONT AXLE
4WD - FRONT DRIVE AXLE

Fig.	P/n	QTY	Name
------	-----	-----	------

Notes:

- WITH ELECTROHYDRAULIC DISK DIFFERENTIAL LOCK + ASM/SBA [R6.100]

1	0.014.0319.4/20	1	complete axle
			☞ 0.014.0319.4/20
			☞ 0.014.0319.4/20
			☞ 0.014.0319.4/20
			☞ 0.014.0319.4/20
			☞ 0.014.0319.4/20
			☞ 0.014.0319.4/20
			☞ 0.014.0319.4/20



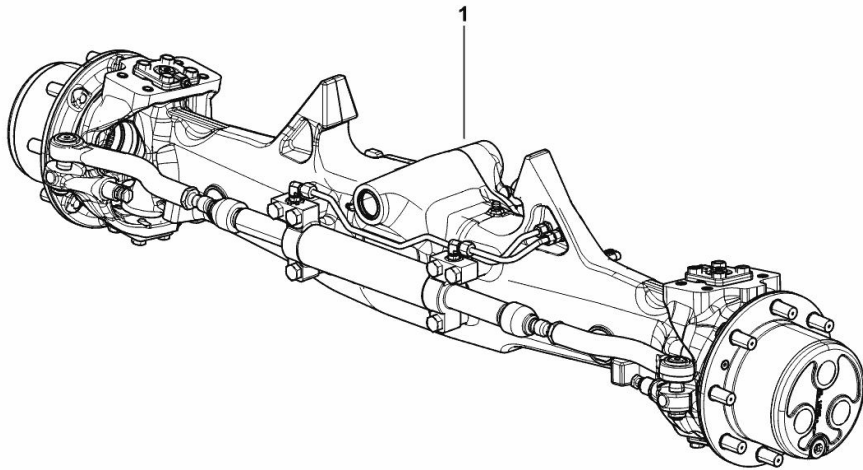
K9_D4943_01_0-A-001

4WD - FRONT AXLE WITH SUSPENSION

Fig.	P/n	QTY	Name
------	-----	-----	------

Notes:
[R6.100]

1	0.014.0317.4/30	1	front axle - 641391 (6049 <-) ☞ 0.014.0317.4/30 ☞ 0.014.0317.4/30 ☞ 0.014.0317.4/30 ☞ 0.014.0317.4/30 ☞ 0.014.0317.4/30 ☞ 0.014.0317.4/30 ☞ 0.014.0317.4/30
1	0.014.0317.4/40	1	front axle (-> 6054) ☞ 0.014.0317.4/40 ☞ 0.014.0317.4/40 ☞ 0.014.0317.4/40 ☞ 0.014.0317.4/40 ☞ 0.014.0317.4/40 ☞ 0.014.0317.4/40 ☞ 0.014.0317.4/40



K9_D4943_00_0-A-001

Buy Now



Our support email:

ebooklibonline@outlook.com