

**BLEEDING TUBE**

Fig.	P/n	QTY	Name
------	-----	-----	------

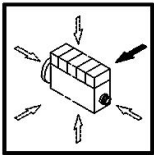
**Notes:**

[R6.110 HI-PROFILE]

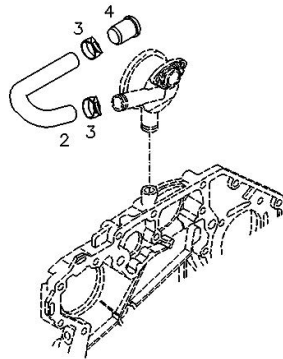
**Engine serial number:**

10078613 10093134 10093153 10116588 10121478 10124197 10125171 10127258 10127260 10127265 10136495  
10137466

2	04198572	1	tube
3	01178750	2	clamp DIN 3021 -A-29X15
4	01167329	1	bottom H 2873 -A24,6X21,5X25-PEWEICH



000 ©



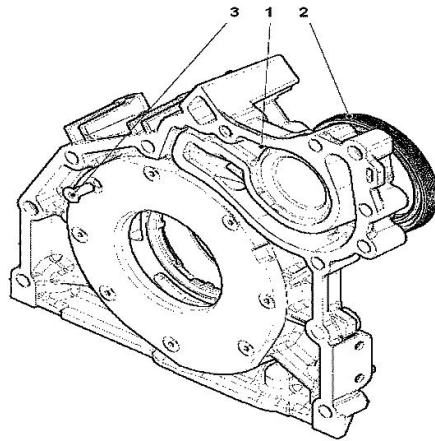
**FLANGE**

Fig.	P/n	QTY	Name
------	-----	-----	------

**Notes:**

[R6.110 HI-PROFILE]

1	04502445	1	oil pump WITH POS.... (2,3)
2	04502202	1	special oil seal
3	01133718	8	screw 8.5 Nm DIN 7991 -M6X16-8.8-A4C



000

**FLANGE**

Fig.	P/n	QTY	Name
------	-----	-----	------

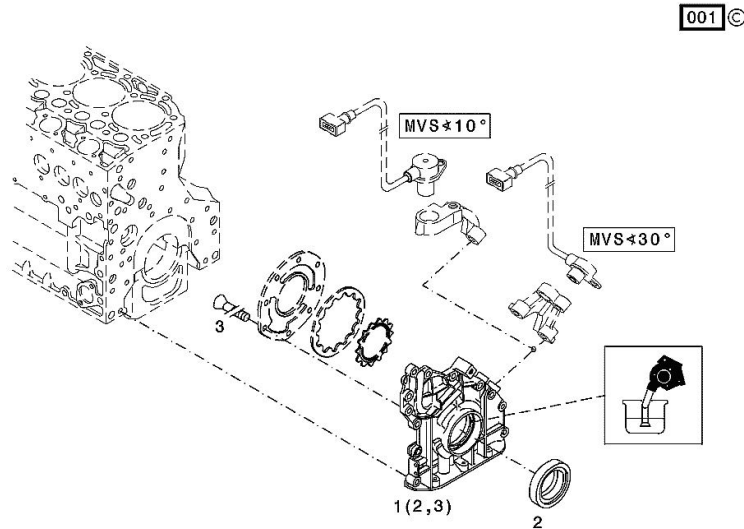
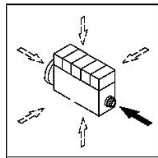
**Notes:**

[R6.110 HI-PROFILE]

**Engine serial number:**

10078613 10093134 10093153 10116588 10121478 10124197 10125171 10127258 10127260 10127265 10136495  
 10137466 10146570 10172778 10172780 10180564 10180566 10186906 10186921 10194511 10194512 10195452  
 10225349 10241977 10245542 10255884 10256130 10256969 10264826 10268959 10270591 10275829 10282971  
 10283373 10285181 10285236 10285256 10289726 10293455 10294372 10298725 10299356 10689441

1	04258382	1	oil pump kpl. WITH POS.... (2,3)
2	04253372	1	oil seal
3	01133718	1	screw DIN 7991 -M6X16-8.8-A4C



**CRANKCASE**

Fig.	P/n	QTY	Name
------	-----	-----	------

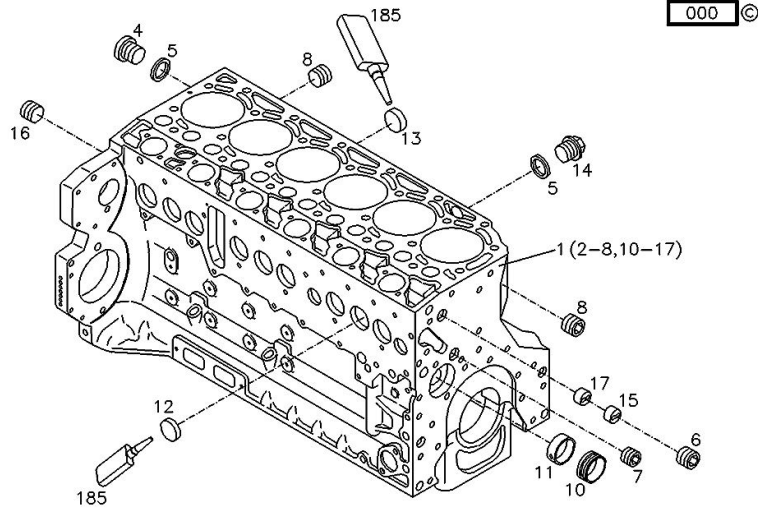
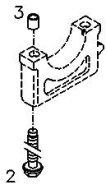
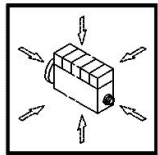
**Notes:**

[R6.110 HI-PROFILE]

**Engine serial number:**

10078613 10093134 10093153 10116588 10121478 10124197 10125171 10127258 10127260 10127265 10136495  
 10137466 10146570 10172778 10172780 10180564 10180566 10186906 10186921 10194511 10194512 10195452  
 10225349 10241977 10245542 10255884 10256130 10256969 10264826 10268959 10270591 10275829 10282971  
 10283373 10285181 10285236 10285256 10289726 10293455 10294372 10298725 10299356

1	04289953	1	crankcase WITH POS.... (2-8.10-17)
2	04254240	14	screw
3	04160764	14	bushing
4	01110423	1	screw DIN 908 -M14X1,5-ST-ZNPHRF
5	01118693	3	gasket 14x20 DIN 7603 -A14X20-CU
6	01180890	1	screw H 2812 -906-M30X1,5-ST-A4C-PRE80
7	01180906	1	screw H 2812 -906-M22X1,5-ST-A4C-PRE80
8	01182031	2	screw H 2812 -906-M14X1,5-ST-A3C-LOCTITE506
10	04251884	6	plug
11	04250086	1	ring
12	01148032	9	cover DIN 443 -A45-ZNPHR
13	01179634	6	plug H 2860 -A36-ST-FE/ZNPHR
14	01100940	2	screw DIN 7604 -AM14X1,5-ST-A4C
15	04202518	1	sleeve
16	04226536	1	bottom
17	04202517	1	sleeve
185	01016125	1	guard H 0699 -DEUTZDW72-250ML



0507 8938

**CRANKCASE**

Fig.	P/n	QTY	Name
------	-----	-----	------

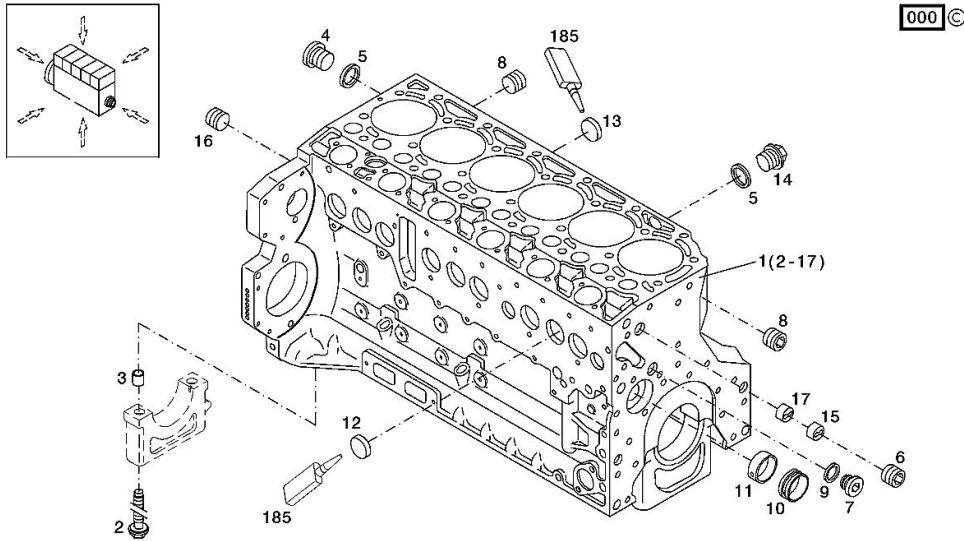
**Notes:**

[R6.110 HI-PROFILE]

**Engine serial number:**

10689441

1	04296583	1	crankcase WITH POS.... (2-17)
2	04254240	14	screw
3	04160764	14	bushing
4	01110423	1	screw DIN 908 -M14X1,5-ST-ZNPHRF
5	01118693	3	gasket 14x20 DIN 7603 -A14X20-CU
6	01180890	1	screw H 2812 -906-M30X1,5-ST-A4C-PRE80
7	04292706	1	plug
8	01182031	2	screw H 2812 -906-M14X1,5-ST-A3C-LOCTITE506
9	01101342	1	oil seal DIN 7603 -D22X27-CU
10	04251884	6	plug
11	04250086	1	ring
12	01148032	9	cover DIN 443 -A45-ZNPHR
13	01148031	6	plug DIN 443 -A36-ZNPHR
14	01100940	2	screw DIN 7604 -AM14X1,5-ST-A4C
15	04202518	1	sleeve
16	04226536	1	bottom
17	04202517	1	sleeve
185	01016125	1	guard H 0699 -DEUTZDW72-250ML

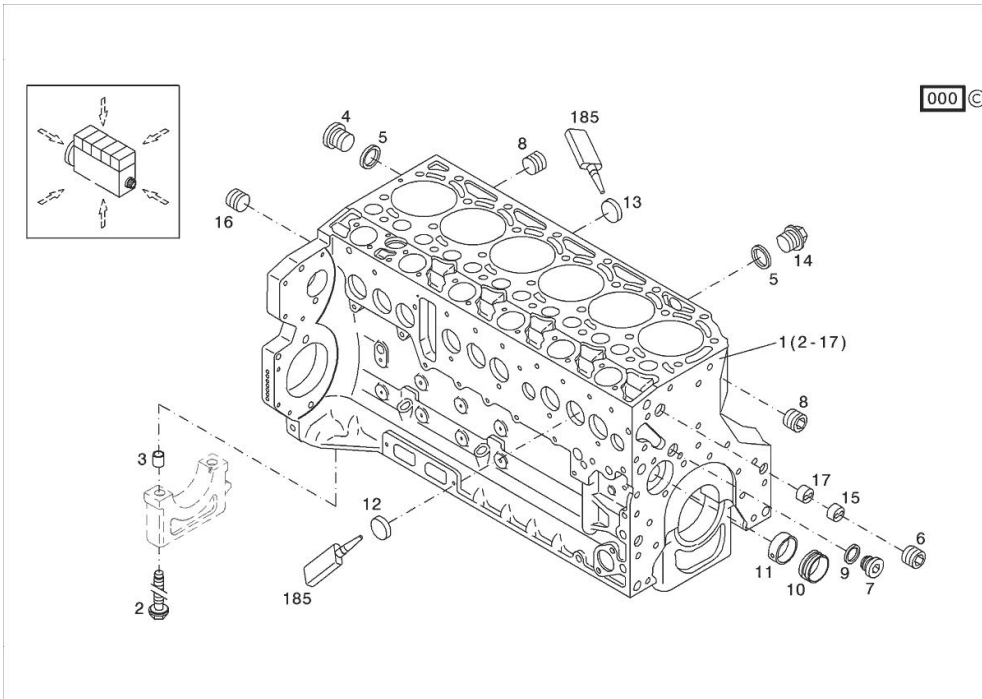


Section: B0 - ENGINE  
**KURBELGEHAEUSE**

Fig.	P/n	QTY	Name
------	-----	-----	------

Notes:  
 [R6.110 HI-PROFILE]

185	01319910	1	guard
1	04506847	1	crankcase MIT POS.... (2-17)
2	04254240	14	screw 50 Nm , 90° , 90°
3	04160764	14	bushing
4	01110423	1	screw 35 Nm DIN 908 -M14X1,5-ST-ZNPHRF
5	01118693	3	gasket 14x20 DIN 7603 -A14X20-CU
6	01180890	1	screw 95 Nm H 2812 -906-M30X1,5-ST-A4C-PRE80
7	04292706	1	plug 80 Nm
8	01182031	2	screw 35 Nm H 2812 -906-M14X1,5-ST-A3C-LOCTITE506
9	01101342	1	oil seal DIN 7603 -D22X27-CU
10	04251884	6	plug
11	04250086	1	ring
12	01148032	9	cover DIN 443 -A45-ZNPHR
13	01148031	6	plug DIN 443 -A36-ZNPHR
14	01100940	2	screw 35 Nm DIN 7604 -AM14X1,5-ST-A4C
15	04202518	1	sleeve
16	04226536	1	bottom 30 Nm
17	04202517	1	sleeve



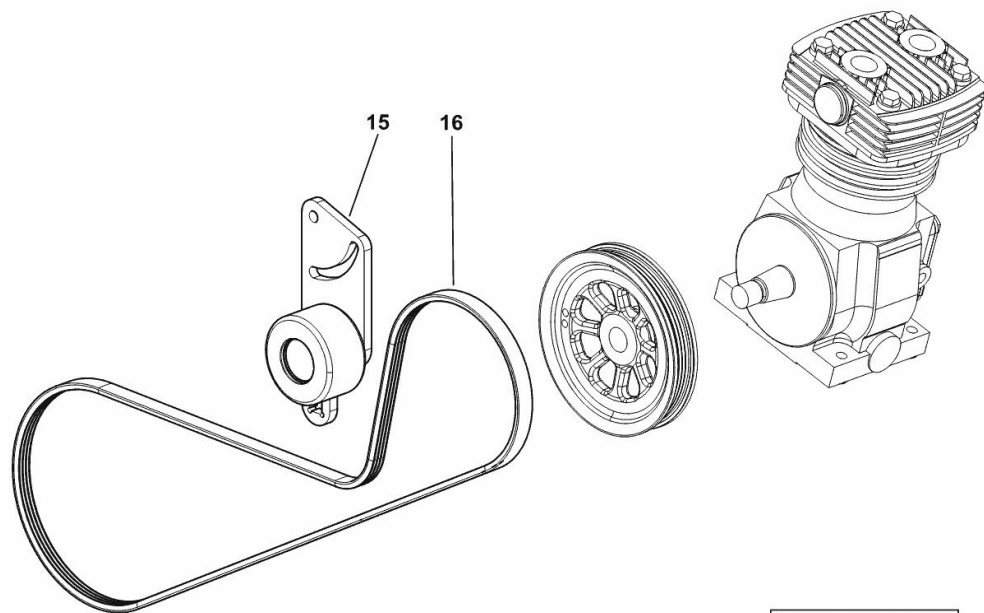
**COMPRESSOR BELT AND BELT TENSIONER**

Fig.	P/n	QTY	Name
------	-----	-----	------

**Notes:**

- WITH 2 SOCKETS [R6.110 HI-PROFILE]

15	04454643.4	1	tensioner
16	04454180	1	belt PV-K 14.2x1410 mm (-> 1001 )



K9\_B1889\_15\_0-B-001

***Buy Now***



Our support email:

[ebooklibonline@outlook.com](mailto:ebooklibonline@outlook.com)