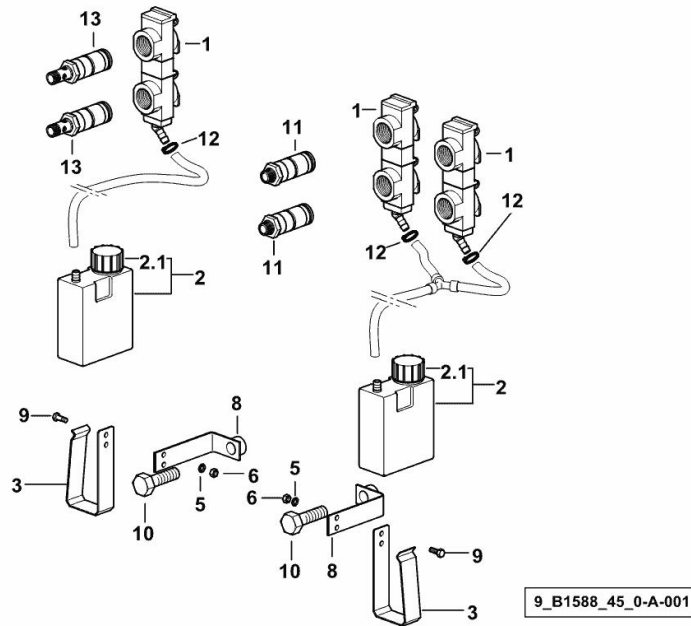


**6-WAY QUICK COUPLERS**

Fig.	P/n	QTY	Name
------	-----	-----	------

**Notes:**

[R6.115 DCR -> ZKDT690200TL10001]



1	04453951	3	small cover
2	04426824.4	2	tank 600 cm <sup>3</sup>
2.1	04428375	1	plug
3	04426826	2	tank support
5	00810311	4	washer 6.4
6	01133500	4	nut vm 6 d980
8	04427959	2	bracket
9	2.0114.005.2	4	screw m 6 p.1.0 x 16
10	2.0129.071.6	2	screw m 18 p.1.5x40
11	04453631	2	socket ☞ 04453631
12	04437395	3	clamp
13	04433073	2	coupling ☞ 04433073

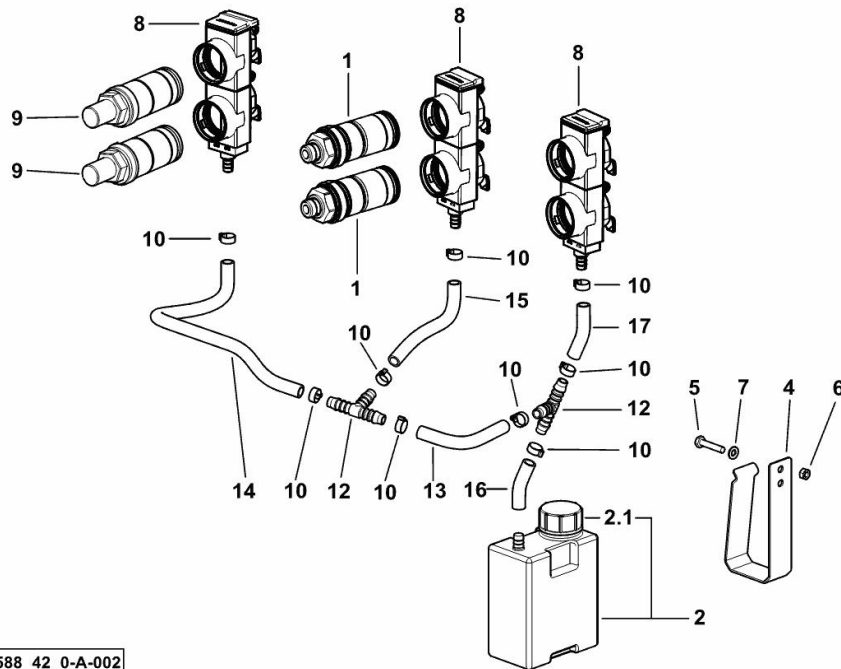
**6-WAY QUICK COUPLERS**

Fig.	P/n	QTY	Name
------	-----	-----	------

**Notes:**

[R6.115 DCR -> ZKDT690200TL10001]

1	04453631	2	socket ☞ 04453631
2	04426824.4	1	tank 600 cm <sup>3</sup>
2.1	04428375	1	plug
4	04426826	1	tank support
5	2.0112.011.2	1	screw m 6 p.1x30
6	2.1011.103.2	1	nut m 6 p.1
7	2.1310.002.2	1	flat washer 6.4x12.5
8	04453951	3	small cover
9	04433073	2	coupling ☞ 04433073
10	2.6857.017.0	9	clamp 13
12	2.3249.135.0	2	pipe union T
13	0.012.9660.0/10	0.15	flexible hose
14	0.012.9660.0/10	0.4	flexible hose
15	0.012.9660.0/10	0.15	flexible hose
16	0.012.9660.0/10	0.05	flexible hose
17	0.012.9660.0/10	0.05	flexible hose



9\_B1588\_42\_0-A-002

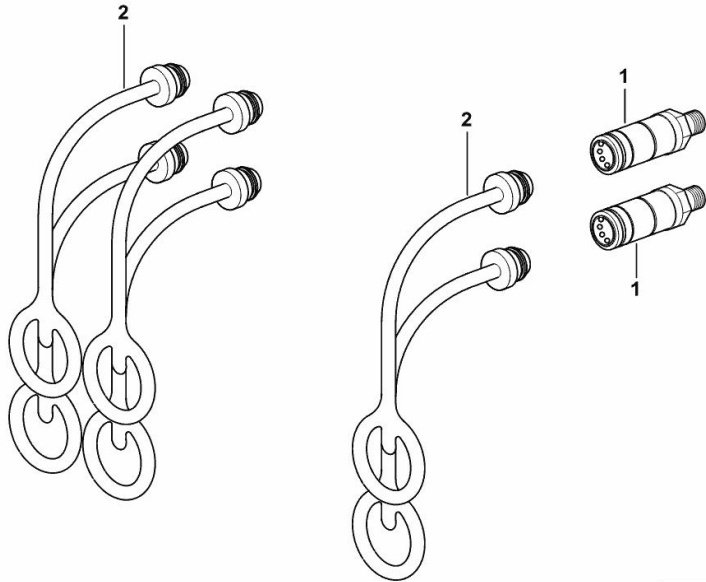
**QUICK COUPLERS WITH PLUGS**

Fig.	P/n	QTY	Name
------	-----	-----	------

**Notes:**

- FOR TYPES WITH MEDIUM HYDRAULIC SYSTEM [R6.115 DCR -> ZKDT690200TL10001]

1	04412157/10	2	coupling FASTER - m 22 p.1.5 / Ø 38 ☞ 04412157/10
2	04416003	6	guard



9\_B1988\_43\_0-A-001

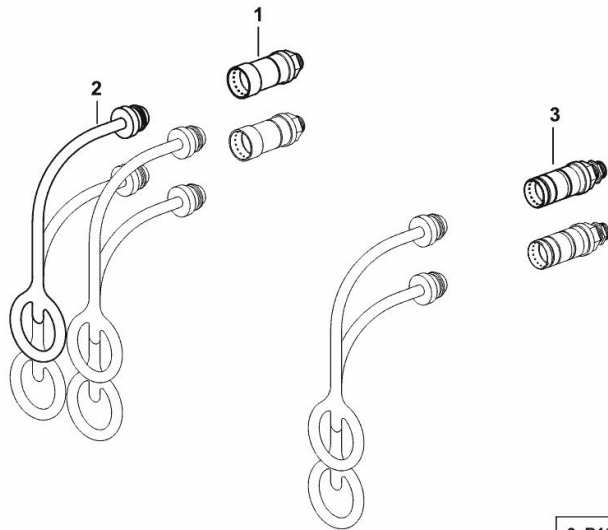
**6-WAY QUICK COUPLERS**

Fig.	P/n	QTY	Name
------	-----	-----	------

**Notes:**

[R6.115 DCR -> ZKDT690200TL10001]

1	04453631	2	socket ☞ 04453631
2	04416003	6	guard
3	04433073	2	coupling ☞ 04433073



9\_B1688\_43\_0-A-001

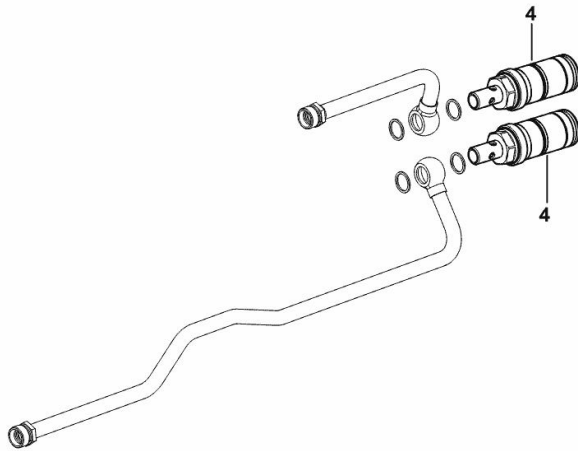
**2 REAR QUICK-ACTION COUPLERS**

Fig.	P/n	QTY	Name
------	-----	-----	------

**Notes:**

- FOR TYPES WITH FRONT LOADER [R6.115 DCR -> ZKDT690200TL10001]

4	04454963	2	socket
---	----------	---	--------



9\_B3659\_78\_0-B-001

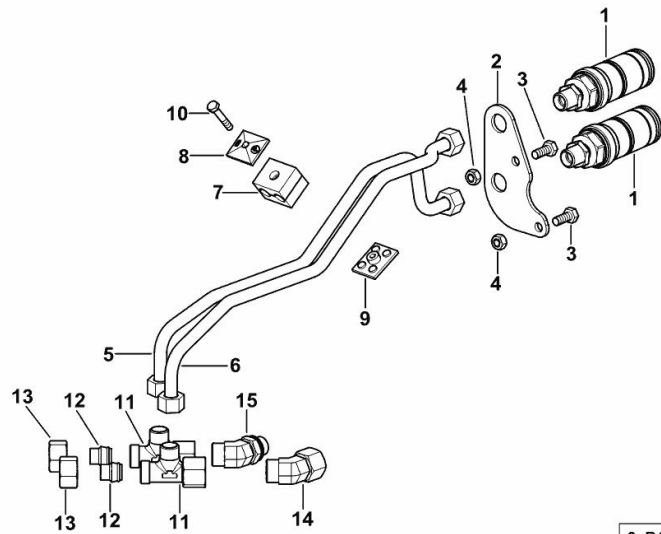
**2 ADDITIONAL REAR SOCKETS**

Fig.	P/n	QTY	Name
------	-----	-----	------

**Notes:**

[R6.115 DCR -> ZKDT690200TL10001]

1	04454962	2	coupling
2	04454799/10	1	support
3	2.0112.207.2	2	screw m 8 p 1.25 x 20
4	2.1011.105.2	2	nut m 8 p.1.25
5	04454795	1	pipng
6	04454794	1	pipng
7	01180439	2	terminal
8	01175616	1	small plate
9	01177274	1	small plate
10	2.0112.013.2	1	screw m 6 p.1 x 35
11	04454966	2	vent
12	01180617	2	cone
13	01179540	2	nut cl 15 h3105
14	04454796	1	vent
15	04454797	1	vent



9\_B1688\_01\_0-A-001

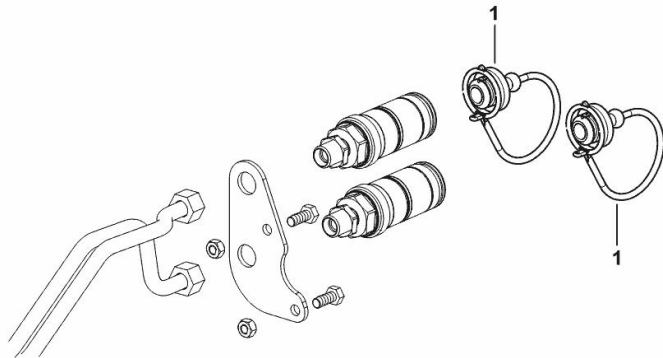
**PLUGS FOR ADDITIONAL QUICK COUPLERS**

Fig.	P/n	QTY	Name
------	-----	-----	------

**Notes:**

[R6.115 DCR -> ZKDT690200TL10001]

1	04416003	2	guard
---	----------	---	-------



9\_B1688\_44\_0-A-001

**Buy Now**



Our support email:

[ebooklibonline@outlook.com](mailto:ebooklibonline@outlook.com)