

R6.115 DCR 4V VRT

Section: H0 - HYDRAULIC AND PNEUMATIC SYSTEM|

Ref: H0.06.1 (1)

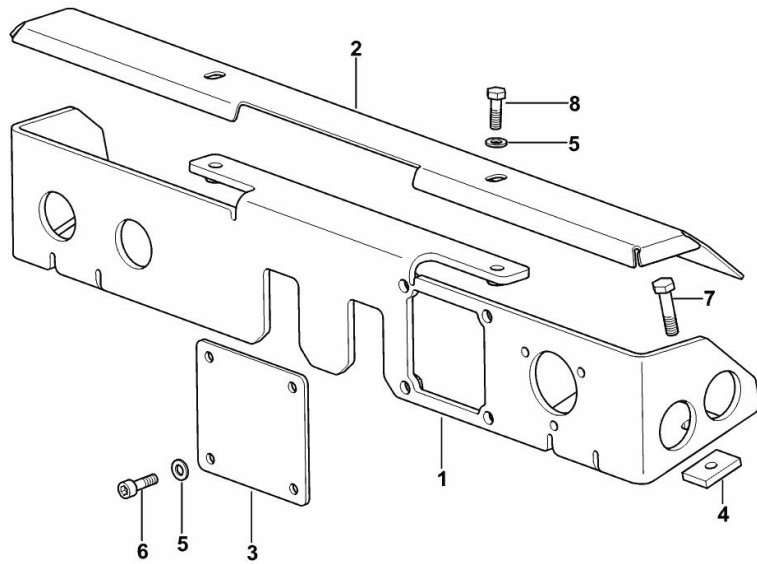
SUPPORT FOR QUICK-ACTION FRONT COUPLERS

Fig.	P/n	QTY	Name
------	-----	-----	------

Notes:

[R6.115 DCR 4V VRT]

1	0.018.2156.3	1	support
2	0.018.2157.0	1	guard
3	0.018.4765.0	1	cover
4	0.018.4858.0	2	cap-washer
5	2.1310.002.2	6	flat washer 6.4x12.5
6	2.0312.106.2	4	screw m 6 p.1 x 20
7	2.0112.209.2	2	screw m 8 p 1.25 x 25
8	2.0112.007.2	2	screw m 6 p.1 x 20



K9_S3159_81_0-A-001

R6.115 DCR 4V VRT

Section: H0 - HYDRAULIC AND PNEUMATIC SYSTEM]

Ref: H0.06.2 (1)

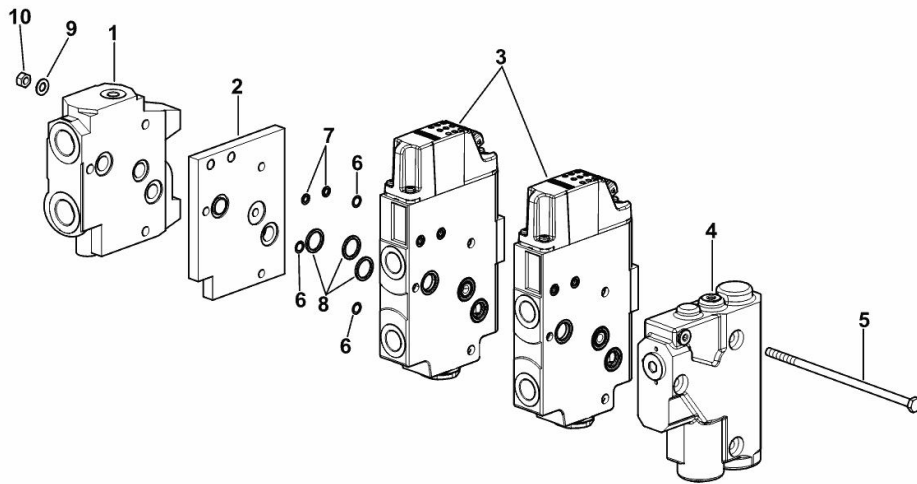
AUXILIARY FRONT HYDRAULIC DISTRIBUTOR WITH 4 OIL WAYS

Fig.	P/n	QTY	Name
------	-----	-----	------

Notes:

[R6.115 DCR 4V VRT]

1	2.3729.110.0/10	1	spool valve ☞ 2.3729.110.0/10
2	0.011.7876.0	1	spacer
3	2.3729.005.0/10	2	spool valve EHS1 ☞ 2.3729.005.0/10
4	2.3729.012.0	1	plate EHS ☞ 2.3729.012.0
5	2.0113.246.2	3	screw m 8 p 1.25x200
6	2.1589.471.0	3	shim 8.1x11.8x0.04
7	2.1531.012.0	2	oil seal 6.75 x 1.78
8	2.1531.048.0	3	oil seal 18.72x2.62
9	2.1475.002.2	3	conical washer 8
10	2.1012.105.2	3	nut m 8 p.1.25 x 10



K9_S3188_15_0-A-001

R6.115 DCR 4V VRT

Section: H0 - HYDRAULIC AND PNEUMATIC SYSTEM|

Ref: H0.06.3 (1)

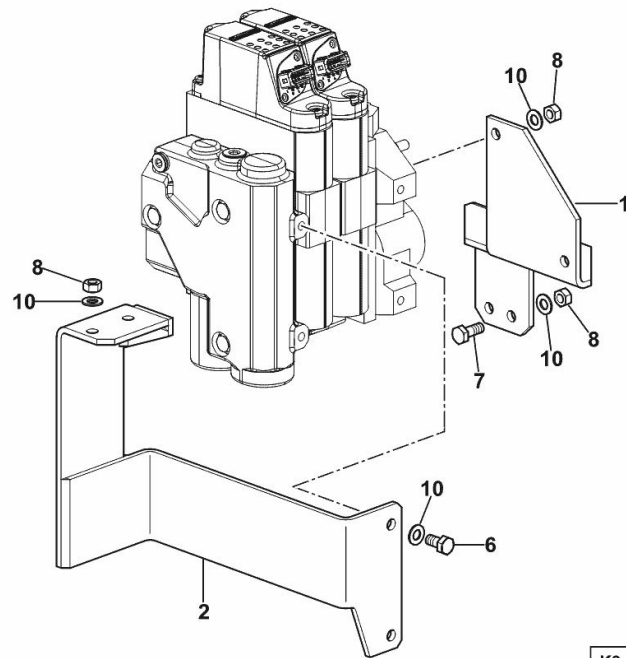
FRONT CONTROL VALVE SUPPORT AND FASTENERS

Fig.	P/n	QTY	Name
------	-----	-----	------

Notes:

[R6.115 DCR 4V VRT]

1	0.018.4193.0	1	bracket
2	0.018.4195.2	1	bracket
6	2.0112.205.2	2	screw m 8 p.1.25 x 16
7	2.0112.207.2	2	screw m 8 p 1.25 x 20
8	2.1011.105.2	6	nut m 8 p.1.25
10	2.1475.002.2	9	conical washer 8



K9_S3188_19_0-B-001

R6.115 DCR 4V VRT

Section: H0 - HYDRAULIC AND PNEUMATIC SYSTEM|

Ref: H0.06.3 (2)

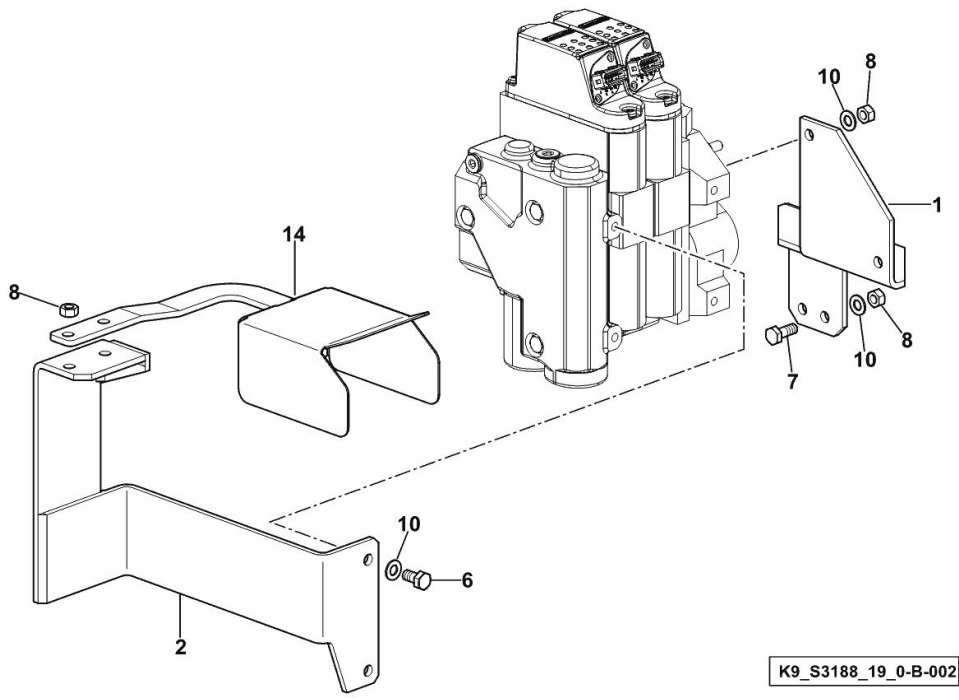
FRONT CONTROL VALVE SUPPORT AND FASTENERS

Fig.	P/n	QTY	Name
------	-----	-----	------

Notes:

[R6.115 DCR 4V VRT]

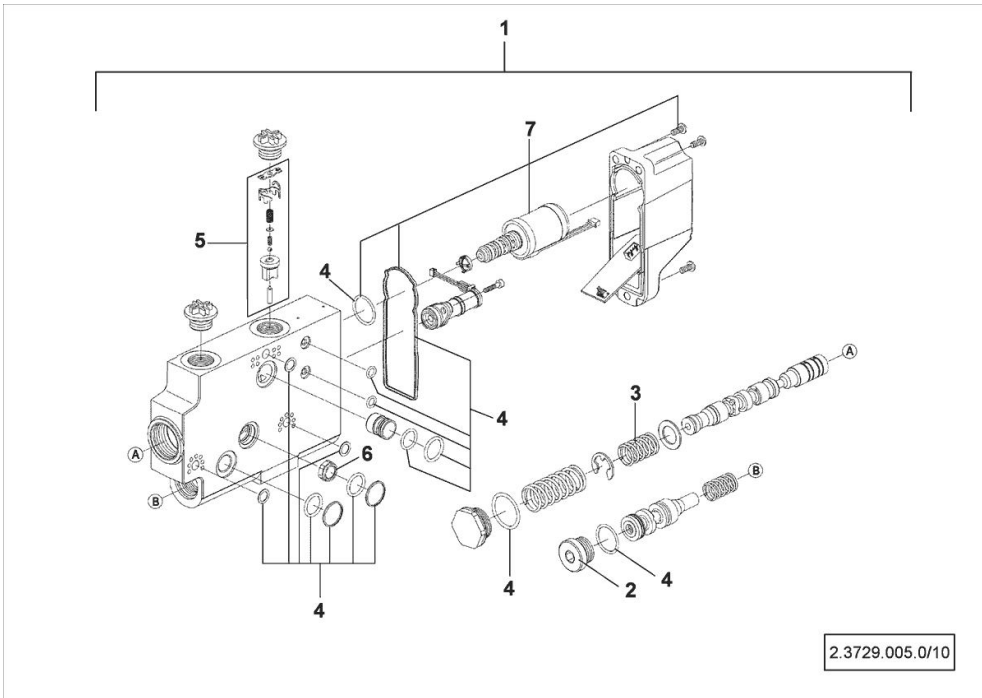
1	0.018.4193.0	1	bracket
2	0.018.4195.2	1	bracket
6	2.0112.205.2	2	screw m 8 p.1.25 x 16
7	2.0112.207.2	2	screw m 8 p 1.25 x 20
8	2.1011.105.2	6	nut m 8 p.1.25
10	2.1475.002.2	6	conical washer 8
14	0.020.1278.3	1	cover



K9_S3188_19_0-B-002

DISTRIBUTOR

Fig.	P/n	QTY	Name
1	2.3729.005.0/10	1	spool valve EHS1
2	0.900.2074.6	1	plug m22x1,5
3	0.900.2468.3	1	spring
4	0.900.2468.4	1	gasket set
5	0.900.2075.0	1	accessories
6	0.900.2468.5	1	valve
7	0.900.2468.6	1	spare parts kit



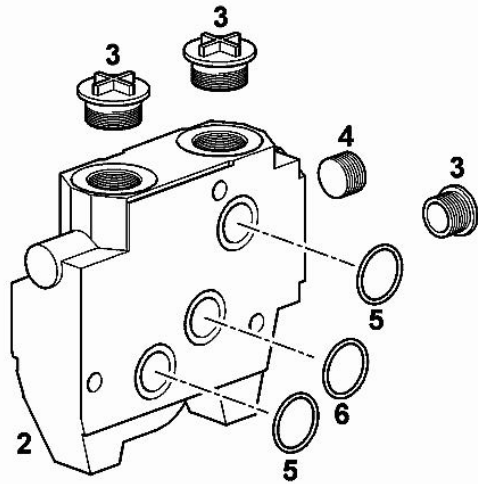
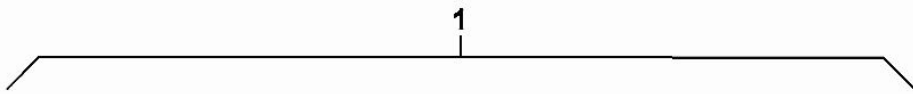
R6.115 DCR 4V VRT

Section: H0 - HYDRAULIC AND PNEUMATIC SYSTEM|

Ref: 2.3729.110.0/10

DISTRIBUTOR

Fig.	P/n	QTY	Name
1	2.3729.110.0/10	1	spool valve
2	0.000.0000.1		cannot be supplied
3	0.000.0000.1		cannot be supplied
4	04418544	1	screw
5	01164379	2	ring 20x2,5
6	04401914	1	gasket



2_3729_110_0_10

R6.115 DCR 4V VRT

Section: H0 - HYDRAULIC AND PNEUMATIC SYSTEM|

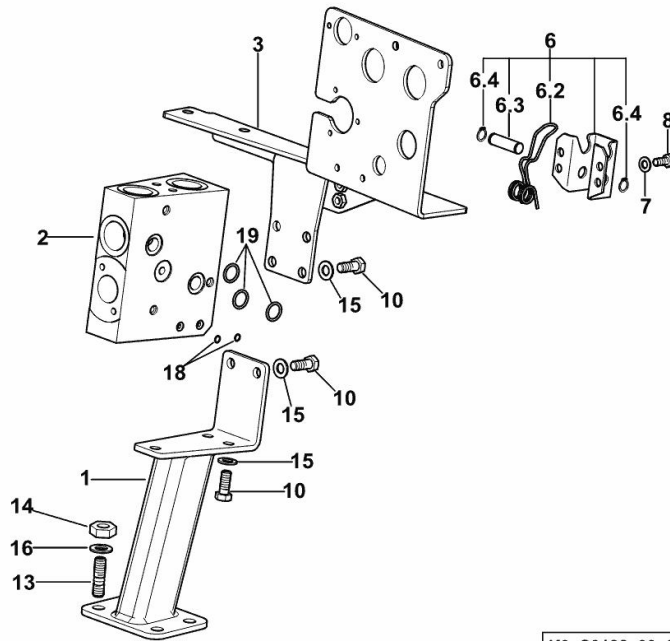
Ref: H0.07.0 (2)

REAR CONTROL VALVE SUPPORT AND FIXINGS

Fig.	P/n	QTY	Name
------	-----	-----	------

Notes:

[R6.115 DCR 4V VRT]



K9_S3188_00_0-A-002

1	0.018.0455.2	1	bracket
2	0.018.0456.0/30	1	manifold
3	0.018.3002.3/40	1	bracket
6	0.009.3492.4/50	1	stop
6.2	2.4099.088.2/10	1	spring
6.3	2.1699.386.2	1	pin 12x42
6.4	2.1410.002.1	2	circlip 12
7	2.1310.004.2	4	flat washer 8.4x17
8	2.0112.206.2	4	screw m 8 p.1.25 x 18
10	2.0112.309.2	9	screw m 10 p.1.5 x 25
13	2.0422.405.7	4	stud bolt m 12 x 25
14	2.1011.107.2	4	nut m 12 p.1.75
15	2.1475.003.2	9	washer 10
16	2.1475.004.2	4	spring washer 12
18	2.1531.012.0	2	oil seal 6.75 x 1.78
19	2.1531.048.0	3	oil seal 18.72x2.62

Buy Now



Our support email:

ebooklibonline@outlook.com