

R6.115 HI-PROFILE DCR ->ZKDT730200TL15001

Section: G0 - BODYWORK - CAB

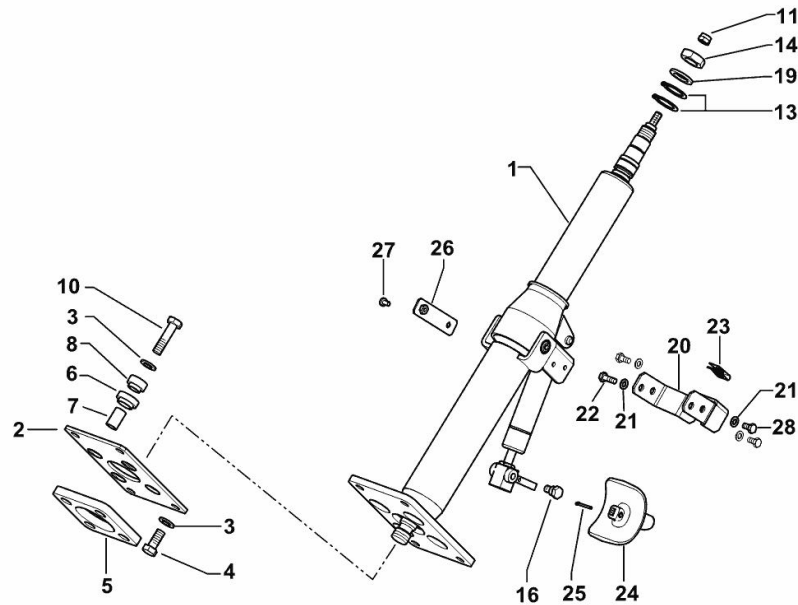
Ref: G0.13.5 (1)

STEERING COLUMN

Fig.	P/n	QTY	Name
------	-----	-----	------

Notes:

[R6.115 HI-PROFILE DCR ->ZKDT730200TL15001] 15006 <-



1	0.014.8754.4/10	1	steering column ☞ 0.014.8754.4/10
2	0.010.7445.0/10	1	plate
3	2.1310.006.2	8	flat washer 10.5x21
4	2.0114.307.2	4	screw m 10 x 20, d933
5	04355546	1	plate
6	04355695	4	spacer
7	04386557	4	spacer
8	0.018.1722.0	4	spacer
10	2.0114.315.2	4	screw m 10 p.1.5 x 40
11	2.1120.105.2	1	self-locking nut m 8 p.1.25
13	2.1410.010.7	2	circlip 25
14	2.1011.510.2	1	nut m 18 p.1.5
16	2.0119.243.2/10	2	screw m 8 p1.25x16
19	2.1470.010.2	1	lock washer 18
20	0.013.2548.0/20	1	bracket
21	2.1475.201.2	4	washer 6.4x12
22	2.0112.005.2	1	screw m 6 p.1 x 16
23	2.6999.035.0	1	clip
24	0.013.2547.0/10	1	lever
25	2.1690.408.2	1	split pin 4 x 20
26	0.014.3119.3	1	plate
27	2.0330.302.2	1	screw m 5x8
28	2.0112.003.2	3	screw m 6 p.1 x 12

9_B1563_00_0-A-001

R6.115 HI-PROFILE DCR ->ZKDT730200TL15001

Section: G0 - BODYWORK - CAB

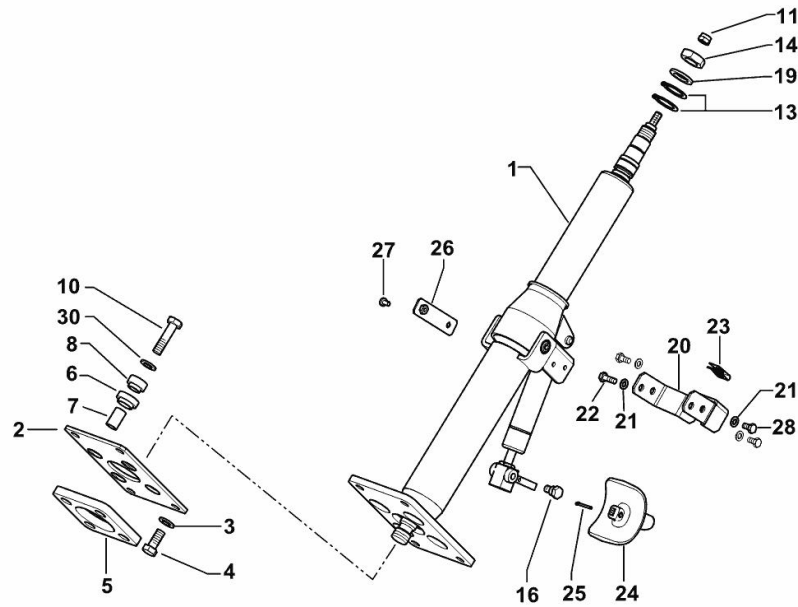
Ref: G0.13.5 (2)

STEERING COLUMN

Fig.	P/n	QTY	Name
------	-----	-----	------

Notes:

[R6.115 HI-PROFILE DCR ->ZKDT730200TL15001] -> 15007

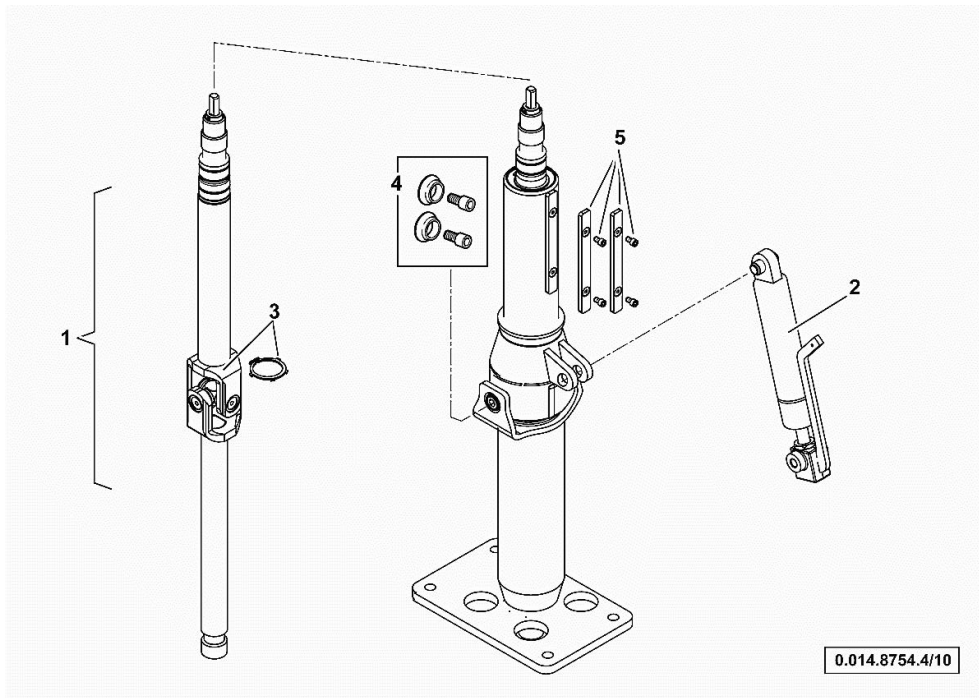


9_B1563_00_0-A-002

1	0.014.8754.4/10	1	steering column ☞ 0.014.8754.4/10
2	0.010.7445.0/10	1	plate
3	2.1310.006.2	4	flat washer 10.5x21
4	2.0114.307.2	4	screw m 10 x 20, d933
5	04355546	1	plate
6	04355695	4	spacer
7	04386557	4	spacer
8	0.018.1722.0	4	spacer
10	2.0114.315.2	4	screw m 10 p.1.5 x 40
11	2.1120.105.2	1	self-locking nut m 8 p.1.25
13	2.1410.010.7	2	circlip 25
14	2.1011.510.2	1	nut m 18 p.1.5
16	2.0119.243.2/10	2	screw m 8 p1.25x16
19	2.1470.010.2	1	lock washer 18
20	0.013.2548.0/20	1	bracket
21	2.1475.201.2	4	washer 6.4x12
22	2.0112.005.2	1	screw m 6 p.1 x 16
23	2.6999.035.0	1	clip
24	0.013.2547.0/10	1	lever
25	2.1690.408.2	1	split pin 4 x 20
26	0.014.3119.3	1	plate
27	2.0330.302.2	1	screw m 5x8
28	2.0112.003.2	3	screw m 6 p.1 x 12
30	2.1399.514.2	4	washer 10.5x27.5x2.5

STEERING COLUMN

Fig.	P/n	QTY	Name
1	0.014.8754.4/10	1	steering column
2	0.900.0305.8	1	spring
3	0.900.0454.6	1	shaft
4	0.900.0063.7	1	pin
5	0.010.3701.0	1	stick



R6.115 HI-PROFILE DCR ->ZKDT730200TL15001

Section: G0 - BODYWORK - CAB

Ref: G0.14.0 (2)

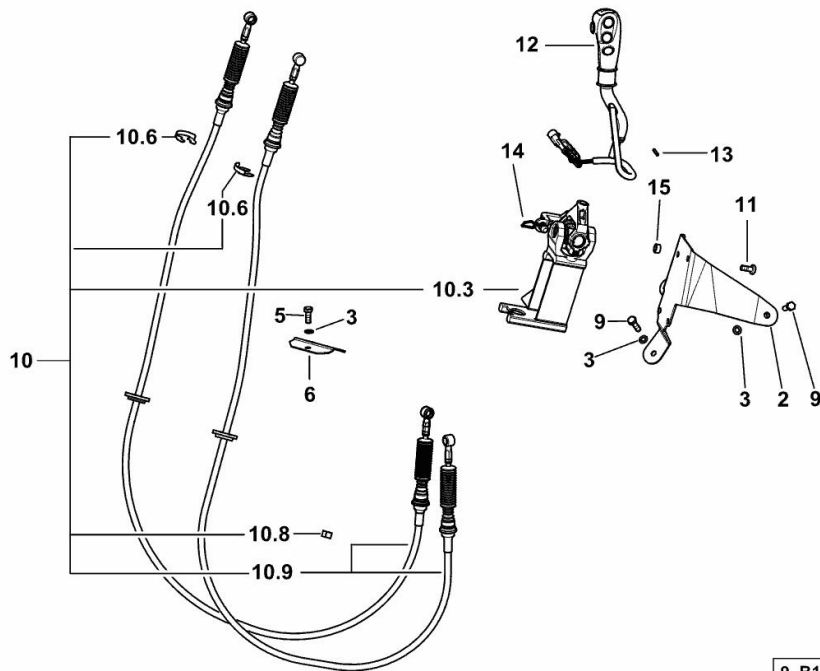
GEAR SHIFTING

Fig.	P/n	QTY	Name
------	-----	-----	------

Notes:

[R6.115 HI-PROFILE DCR ->ZKDT730200TL15001] 15006 <-

2	0.013.7133.2/20	1	bracket
3	2.1470.004.2	4	lock washer 8
5	2.0112.208.2	1	screw m 8 p.1.25 x 22
6	0.013.0713.0	1	bracket
9	2.0112.211.2	3	screw m 8 p.1.25 x 30
10	0.013.7177.4/20	1	group switching
10.3	0.013.3454.4/10	1	console
10.6	04418159	2	circlip
10.8	2.9939.052.0	1	plate
10.9	0.014.1376.3	2	rod
	☞ 0.014.1376.3		
11	2.0330.507.2	4	screw m 8 p.1.25 x 20
12	0.014.4950.4/10	1	gear lever
	☞ 0.014.4950.4/10		
13	2.1630.415.0	1	pin 4 x 40
14	2.6852.001.0	1	clamp 99 x 2.5
15	2.1549.632.2	4	spacer



9_B1564_00_0-A-002

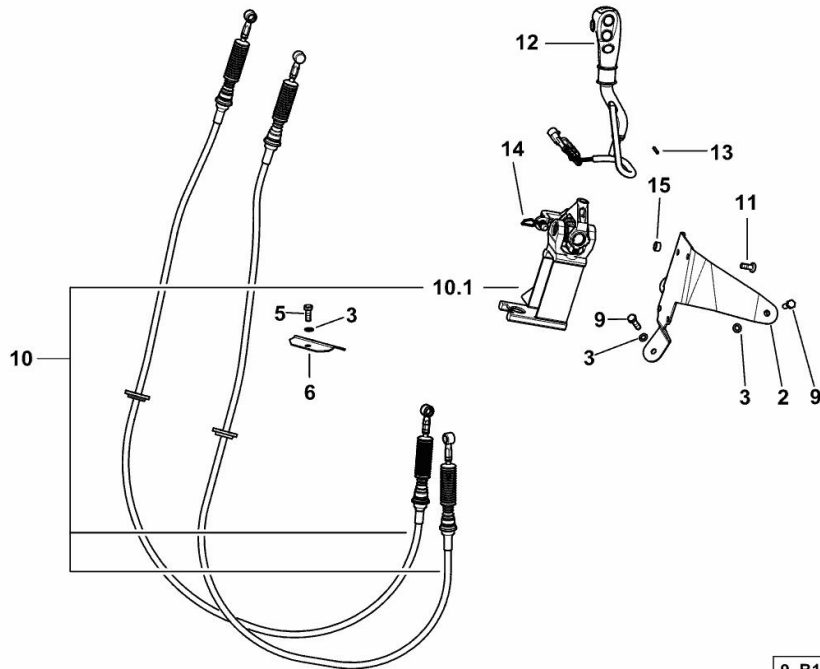
GEAR SHIFTING

Fig.	P/n	QTY	Name
------	-----	-----	------

Notes:

[R6.115 HI-PROFILE DCR ->ZKDT730200TL15001] -> 15007

2	0.013.7133.2/20	1	bracket
3	2.1470.004.2	4	lock washer 8
5	2.0112.208.2	1	screw m 8 p.1.25 x 22
6	0.013.0713.0	1	bracket
9	2.0112.211.2	3	screw m 8 p.1.25 x 30
10	0.018.4991.4	1	control (15012 <-)
10	0.020.4851.4	1	control
10.1	0.018.4985.4	1	control ☞ 0.018.4985.4
11	2.0330.507.2	4	screw m 8 p.1.25 x 20
12	0.014.4950.4/10	1	gear lever ☞ 0.014.4950.4/10
13	2.1630.415.0	1	pin 4 x 40
14	2.6852.001.0	1	clamp 99 x 2.5
15	2.1549.632.2	4	spacer



R6.115 HI-PROFILE DCR ->ZKDT730200TL15001

Section: G0 - BODYWORK - CAB

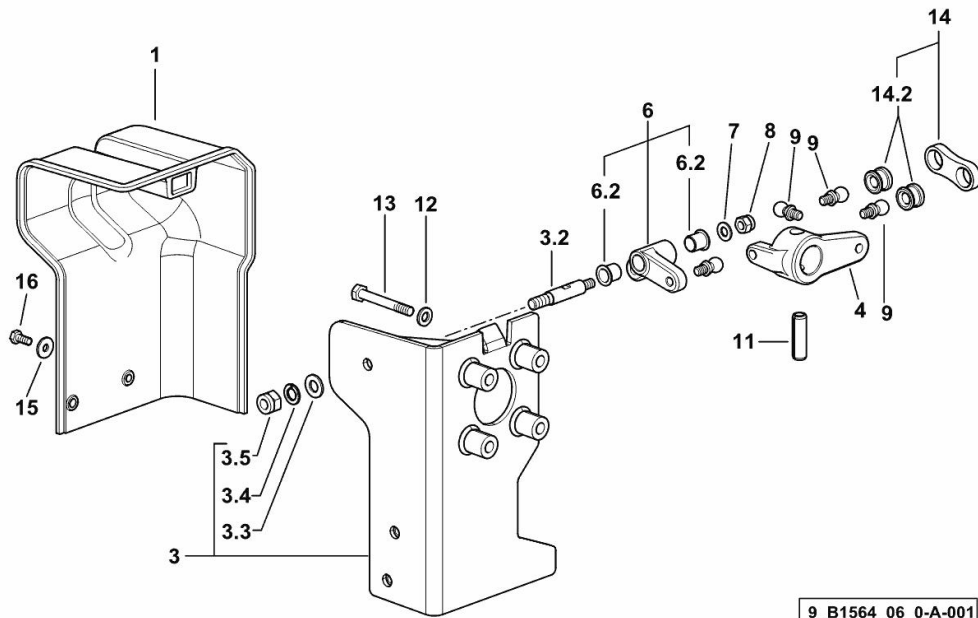
Ref: G0.14.1 (1)

DRIVE FOR GEAR CHANGE BOX

Fig.	P/n	QTY	Name
------	-----	-----	------

Notes:

[R6.115 HI-PROFILE DCR ->ZKDT730200TL15001]



1	0.014.1790.0/40	1	hood
3	0.014.1944.4/10	1	console
3.2	0.015.0364.0	1	small shaft
3.3	2.1310.006.2	1	flat washer 10.5x21
3.4	2.1474.010.2	1	washer 10
3.5	2.1120.006.2	1	nut m 10 p.1.5
4	0.014.1942.0/30	1	lever
6	0.014.1949.3/30	1	gear lever
6.2	2.2841.043.0	2	bushing 12 x 14 x 15
7	2.1310.004.2	1	flat washer 8.4x17
8	2.1120.005.2	1	nut m 8 p.1.25
9	0.014.1947.0	4	small pin
11	2.1630.915.2	1	roll pin 12x40
12	2.1475.202.2	4	spring washer 8.4 x 16
13	2.0112.221.2	4	screw m 8 p.1.25 x 60
14	0.014.1951.3/10	1	small lever
14.2	0.255.6454.0	2	pin seat
15	2.1312.003.2	2	washer 6
16	2.0112.004.2	2	screw m 6 p.1 x 14

9_B1564_06_0-A-001

R6.115 HI-PROFILE DCR ->ZKDT730200TL15001

Section: G0 - BODYWORK - CAB

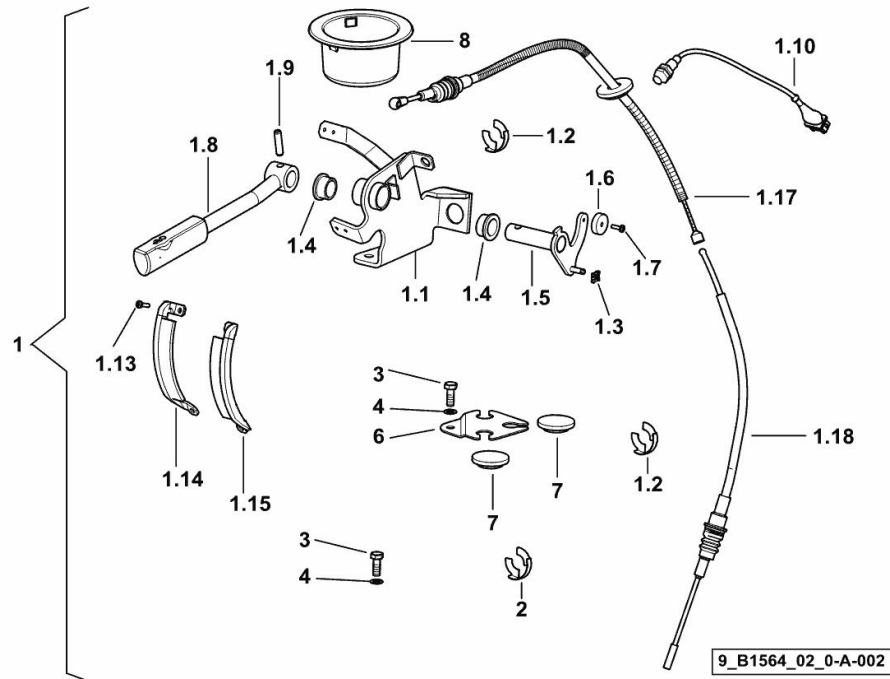
Ref: G0.14.2 (2)

SUPER CREEPER - REDUCTION GEAR UNIT CONTROLS

Fig.	P/n	QTY	Name
------	-----	-----	------

Notes:

[R6.115 HI-PROFILE DCR ->ZKDT730200TL15001]



1	0.013.6426.4/30	1	lever
1.1	0.013.0627.2/20	1	console
1.2	04418159	1	circlip
1.3	01175725	1	clip 6, d128
1.4	04413063	2	bushing
1.5	0.013.0579.3/10	1	operation
1.6	04365126	1	magnet
1.7	2.0332.205.2	1	screw
1.8	0.013.0589.4/10	1	lever
1.9	2.1630.713.2	1	pin 8x32
1.10	04436527	1	position sensor
1.13	2.0362.005.2	4	screw m4x15
1.14	0.013.9016.2	1	brush
1.15	0.013.9019.2	1	brush
1.17	0.014.9283.3	1	rod
1.18	0.014.9291.3	1	rod
2	04418159	2	circlip
3	2.0112.208.2	3	screw m 8 p.1.25 x 22
4	2.1470.004.2	3	lock washer 8
6	0.013.3401.0	1	bracket
7	0.013.1681.0	2	plug
8	0.013.4912.0	1	hood

Buy Now



Our support email:

ebooklibonline@outlook.com