

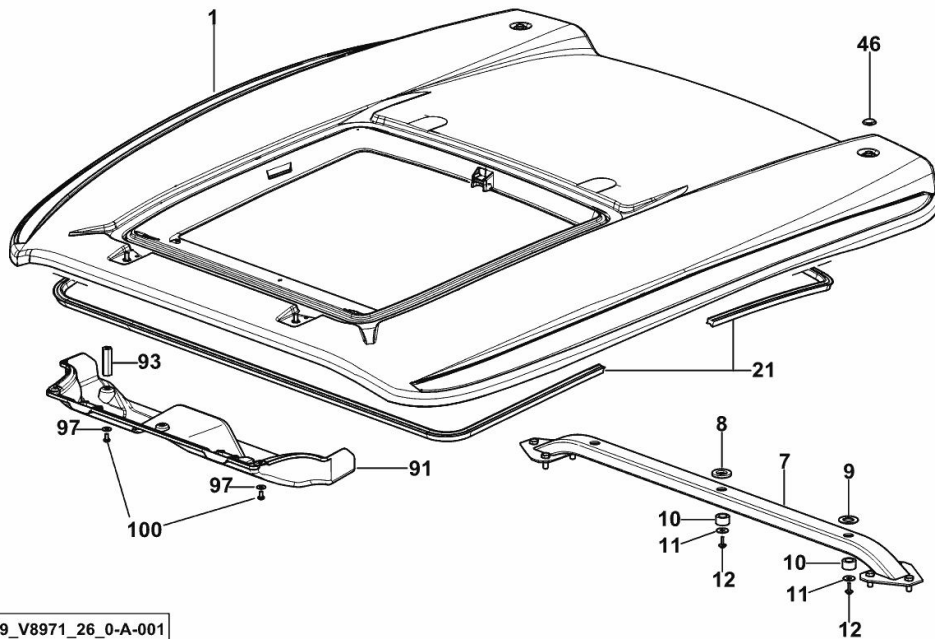
**ROOF**

Fig.	P/n	QTY	Name
------	-----	-----	------

**Notes:**

FOR FIXED WINDSCREEN [R6.120.4 T4i VRT]

1	0.020.2846.3	1	roof
7	0.010.7460.3/10	1	crosspiece
8	2.1569.183.0	1	rubber plug Ø 40x5
9	2.1569.198.0	2	rubber plug Ø 40x2
10	2.1569.181.0	3	rubber plug Ø 28x16
11	2.1312.004.3	3	washer 8,4x24x2
12	2.0363.306.3	15	screw m 6x18
21	04438115/10	1	gasket mm 2000
46	04413793	11	cap
91	0.019.5383.0	1	cover
93	0.019.6605.0	2	spacer
97	2.1312.003.3	5	washer 6.6 x 18
100	2.0339.025.3	5	screw m 6 x 16



K9\_V8971\_26\_0-A-001

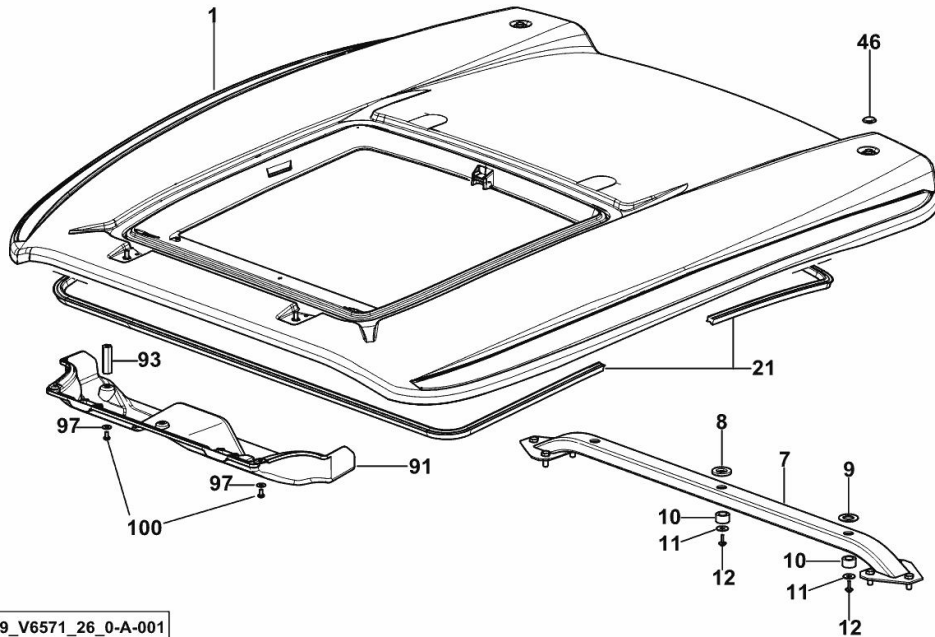
**ROOF**

Fig.	P/n	QTY	Name
------	-----	-----	------

**Notes:**

- FOR OPENING WINDSCREEN [R6.120.4 T4i VRT]

1	0.020.2846.3	1	roof
7	0.010.7460.3/10	1	crosspiece
8	2.1569.183.0	1	rubber plug Ø 40x5
9	2.1569.198.0	2	rubber plug Ø 40x2
10	2.1569.181.0	3	rubber plug Ø 28x16
11	2.1312.004.3	3	washer 8,4x24x2
12	2.0363.306.3	15	screw m 6x18
21	04438115/10	1	gasket mm 2000
46	04413793	11	cap
91	0.020.9122.0	1	cover
93	0.019.6605.0	2	spacer
97	2.1312.003.3	5	washer 6.6 x 18
100	2.0339.025.3	5	screw m 6 x 16



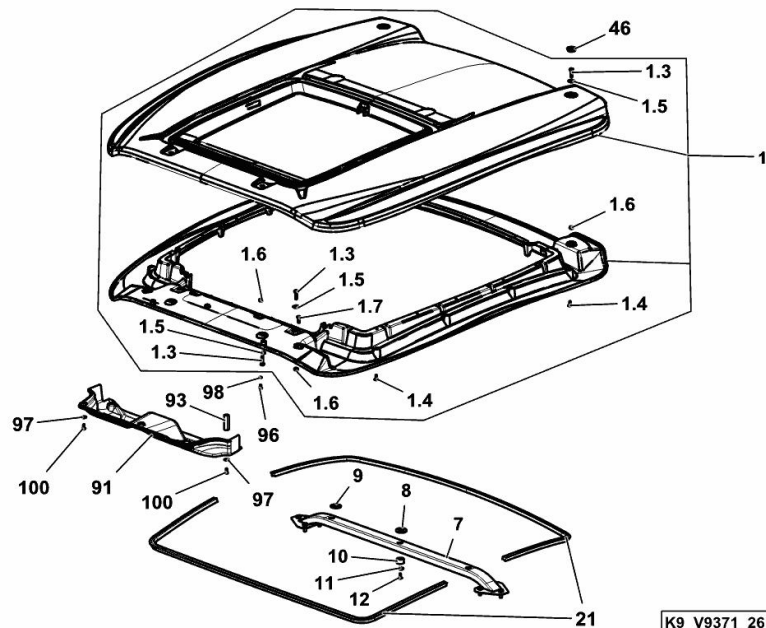
K9\_V6571\_26\_0-A-001

**ROOF F.O.P.S.**

Fig.	P/n	QTY	Name
------	-----	-----	------

**Notes:**

FOR FIXED WINDSCREEN [R6.120.4 T4i VRT]



K9\_V9371\_26\_0-A-001

1	0.020.2846.3	1	roof
1.3	2.0112.211.2	6	screw m 8 p.1.25 x 30
1.4	2.0363.306.3	12	screw m 6x18
1.5	2.1312.004.2	6	washer 8x24x2
1.6	2.1011.105.2	6	nut m 8 p.1.25
1.7	2.0112.207.2	2	screw m 8 p 1.25 x 20
7	0.010.7460.3/10	1	crosspiece
8	2.1569.183.0	1	rubber plug Ø 40x5
9	2.1569.198.0	2	rubber plug Ø 40x2
10	2.1569.181.0	3	rubber plug Ø 28x16
11	2.1312.004.3	3	washer 8,4x24x2
12	2.0363.306.3	15	screw m 6x18
21	04438115/10	1	gasket mm 2000
46	04413793	11	cap
91	0.019.5383.0	1	cover
93	0.019.6605.0	2	spacer
96	2.0330.404.2	5	screw m 6 x 12
97	2.1312.003.3	5	washer 6.6 x 18
98	2.1310.002.3	5	flat washer 6.4 x 12 x 1.6
100	2.0339.025.3	5	screw m 6 x 16

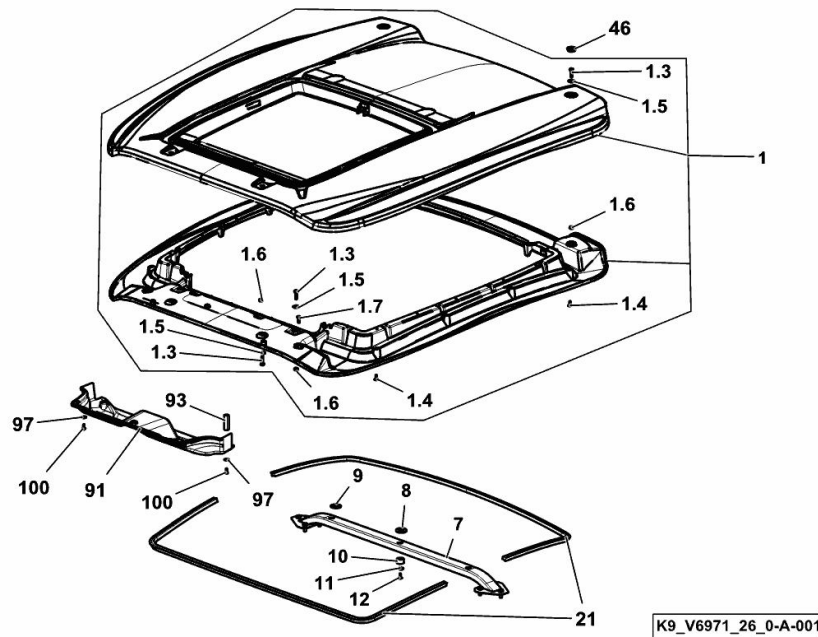
**ROOF F.O.P.S.**

Fig.	P/n	QTY	Name
------	-----	-----	------

**Notes:**

- FOR OPENING WINDSCREEN [R6.120.4 T4i VRT]

1	0.020.2846.3	1	roof
1.3	2.0112.211.2	6	screw m 8 p.1.25 x 30
1.4	2.0363.306.3	12	screw m 6x18
1.5	2.1312.004.2	6	washer 8x24x2
1.6	2.1011.105.2	6	nut m 8 p.1.25
1.7	2.0112.207.2	2	screw m 8 p 1.25 x 20
7	0.010.7460.3/10	1	crosspiece
8	2.1569.183.0	1	rubber plug Ø 40x5
9	2.1569.198.0	2	rubber plug Ø 40x2
10	2.1569.181.0	3	rubber plug Ø 28x16
11	2.1312.004.3	3	washer 8,4x24x2
12	2.0363.306.3	15	screw m 6x18
21	04438115/10	1	gasket mm 2000
46	04413793	11	cap
91	0.020.9122.0	1	cover
93	0.019.6605.0	2	spacer
97	2.1312.003.3	5	washer 6.6 x 18
100	2.0339.025.3	5	screw m 6 x 16

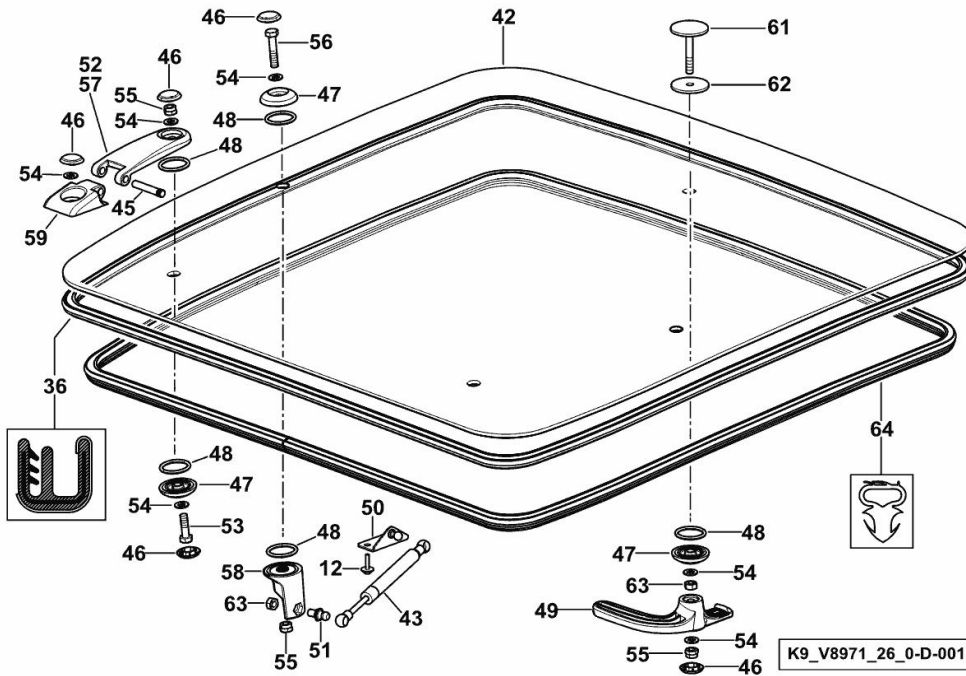


**SKYLIGHT**

Fig.	P/n	QTY	Name
------	-----	-----	------

**Notes:**

FOR FIXED WINDSCREEN [R6.120.4 T4i VRT]



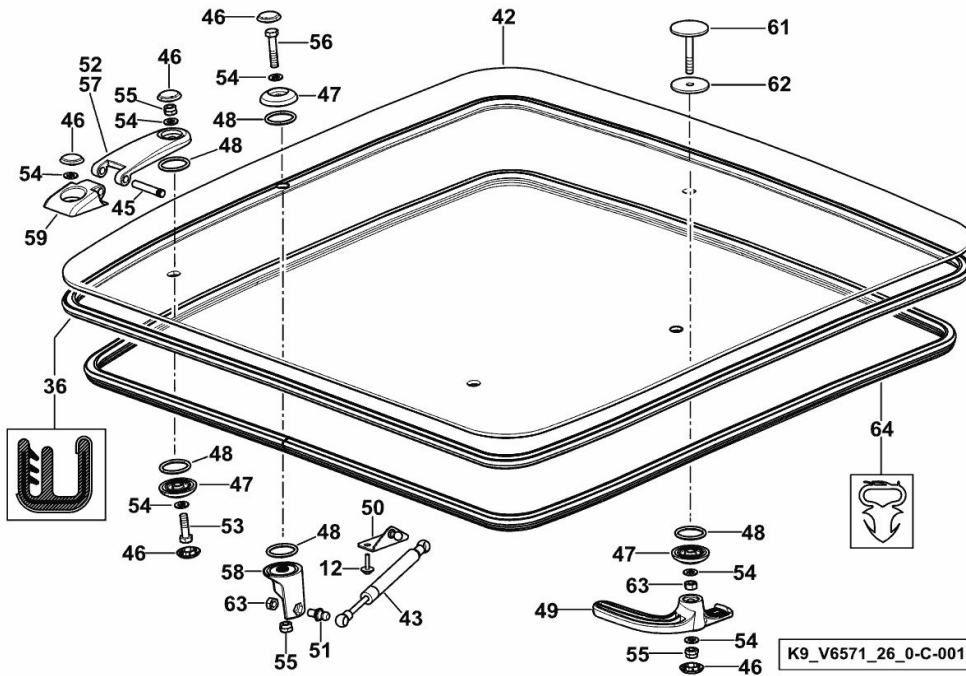
12	2.0363.306.3	15	screw m 6x18
36	0.010.9556.0	1	gasket mm 1760
42	0.010.6476.0/10	1	window glass
43	04414159	2	shock absorber
45	2.1699.486.2	2	pin
46	04413793	11	cap
47	04411716	5	washer
48	2.1530.078.0	9	oil seal 29.74x3.53
49	0.010.6477.0	1	handle
50	0.010.7739.3	2	support
51	04399070	1	ball joint
52	0.010.7525.0	1	hinge dx/rh/re
53	2.0112.210.2	2	screw m 8 p.1.25 x 28
54	2.1310.004.2	12	flat washer 8.4x17
55	2.1120.105.2	9	self-locking nut m 8 p.1.25
56	2.0112.215.2	2	screw m 8 p.1.25 x 40
57	0.010.6479.0	1	hinge sx/lh/li
58	0.010.7738.0/10	2	support
59	0.010.6480.0	2	hinge
61	0.010.7736.2	1	screw
62	0.010.7737.0	1	gasket
63	2.1011.105.2	3	nut m 8 p.1.25
64	0.010.8352.0	1	gasket mm 2900

**SKYLIGHT**

Fig.	P/n	QTY	Name
------	-----	-----	------

**Notes:**

- FOR OPENING WINDSCREEN [R6.120.4 T4i VRT]



12	2.0363.306.3	15	screw m 6x18
36	0.010.9556.0	1	gasket mm 1760
42	0.010.6476.0/10	1	window glass
43	04414159	2	shock absorber
45	2.1699.486.2	2	pin
46	04413793	11	cap
47	04411716	5	washer
48	2.1530.078.0	9	oil seal 29.74x3.53
49	0.010.6477.0	1	handle
50	0.010.7739.3	2	support
51	04399070	1	ball joint
52	0.010.7525.0	1	hinge dx/rh/re
53	2.0112.210.2	2	screw m 8 p.1.25 x 28
54	2.1310.004.2	12	flat washer 8.4x17
55	2.1120.105.2	9	self-locking nut m 8 p.1.25
56	2.0112.215.2	2	screw m 8 p.1.25 x 40
57	0.010.6479.0	1	hinge sx/lh/li
58	0.010.7738.0/10	1	support
59	0.010.6480.0	2	hinge
61	0.010.7736.2	1	screw
62	0.010.7737.0	1	gasket
63	2.1011.105.2	3	nut m 8 p.1.25
64	0.010.8352.0	1	gasket mm 2900

**SKYLIGHT F.O.P.S.**

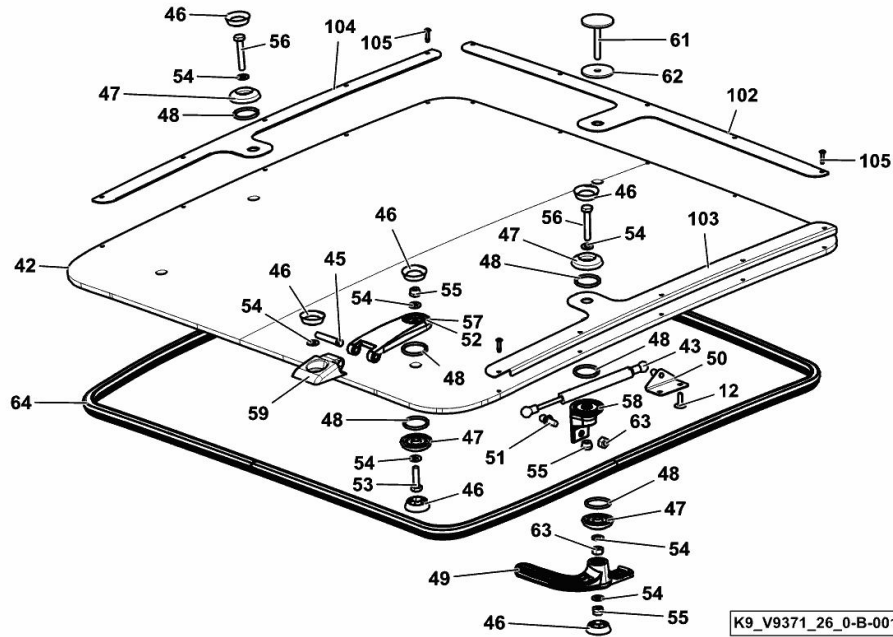


Fig.	P/n	QTY	Name
------	-----	-----	------

**Notes:**

FOR FIXED WINDSCREEN [R6.120.4 T4i VRT]

12	2.0363.306.3	15	screw m 6x18
42	0.020.6570.0	1	window glass
43	04414159	2	shock absorber
45	2.1699.486.2	2	pin
46	04413793	11	cap
47	04411716	5	washer
48	2.1530.078.0	9	oil seal 29.74x3.53
49	0.010.6477.0	1	handle
50	0.010.7739.3	2	support
51	04399070	1	ball joint
52	0.010.7525.0	1	hinge dx/rh/re
53	2.0112.211.2	2	screw m 8 p.1.25 x 30
54	2.1310.004.2	12	flat washer 8.4x17
55	2.1120.105.2	9	self-locking nut m 8 p.1.25
56	2.0112.217.2	2	screw m 8 p.1.25 x 45
57	0.010.6479.0	1	hinge sx/lh/li
58	0.010.7738.0/10	2	support
59	0.010.6480.0	2	hinge
61	0.010.7736.2	1	screw
62	0.010.7737.0	1	gasket
63	2.1011.105.2	3	nut m 8 p.1.25
64	0.010.8352.0	1	gasket mm 2900
102	0.020.5778.0	1	brace
103	0.020.5853.0	1	brace dx/rh/re
104	0.020.5883.0	1	brace sx/lh/li
105	2.1856.205.0	15	rivet

**Buy Now**



Our support email:

[ebooklibonline@outlook.com](mailto:ebooklibonline@outlook.com)