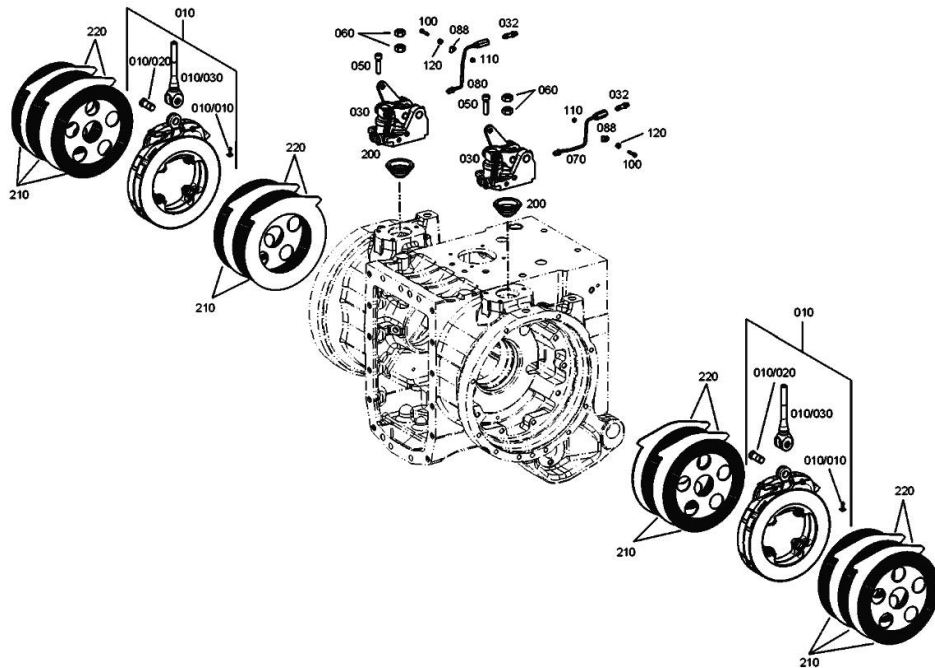


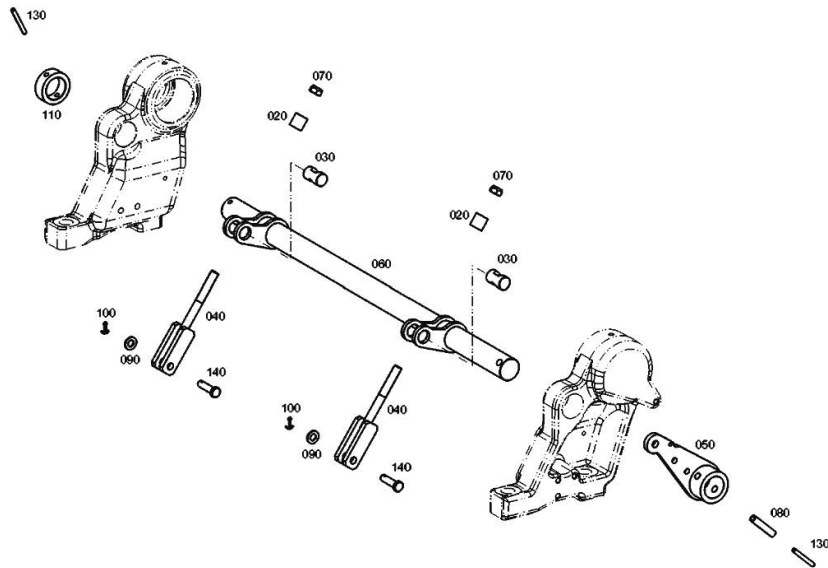
**REAR BRAKES - 2095 011 001**

Fig.	P/n	QTY	Name
10	0.900.1583.9	2	transmission brake
10.10	04435741	1	split pin
10.20	04435740	1	pin
10.30	04428551	1	rod
30	0.900.2018.5	2	operation
32	0.900.2124.5	2	breather
50	0.900.0469.7	6	screw m 10 x 40
60	0.900.2019.0	4	nut
70	04428558	1	tube sx/lh/li
80	04428559	1	tube dx/rh/re
88	0.900.0468.2	2	clamp 6x12
100	0.900.0280.1	2	screw m 5 x 25
110	0.900.2181.3	2	nut
120	0.900.2181.4	2	nut
200	0.900.0800.9	2	rubber bushing
210	0.900.1584.6	10	disc
220	0.900.0801.3	8	disc



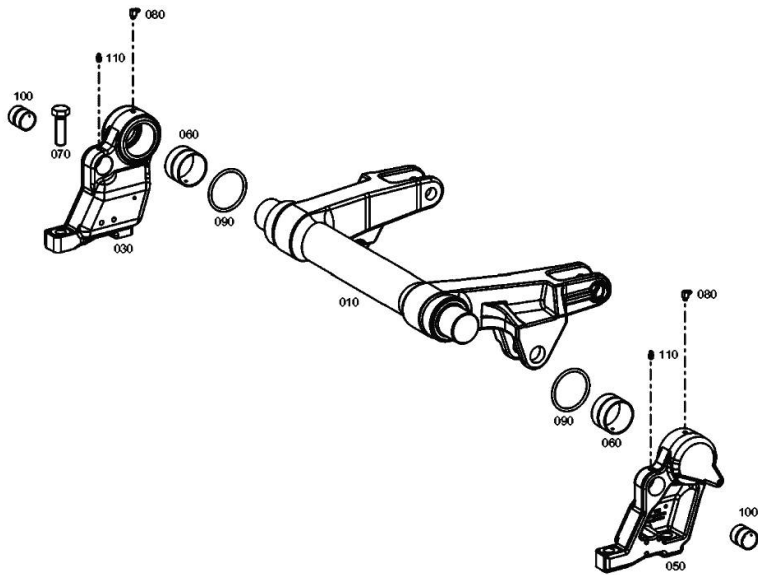
**BRAKE CONTROLS - 2095 011 001**

Fig.	P/n	QTY	Name
20	0.900.1239.8	2	tube
30	0.900.1239.9	2	pin
40	0.900.2095.0	2	rod
50	0.900.2124.6	1	lever
60	0.900.2095.1	1	shaft
70	0.900.0281.9	2	nut m 12
80	0.900.2018.9	1	pin
90	0.900.0466.9	2	washer
100	0.900.2082.0	2	pin
110	0.900.1240.3	1	spacer
130	0.010.2901.1	2	pin 6x50
140	0.900.2015.9	2	ring



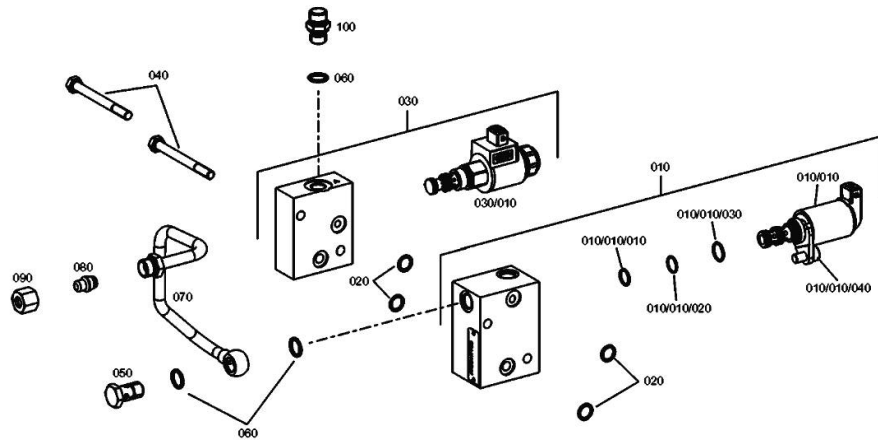
**LIFTING - 2095 011 001**

Fig.	P/n	QTY	Name
10	0.900.0824.6	1	shaft
30	0.900.1407.9	1	bearing block dx/rh/re
50	0.900.1408.0	1	bearing block sx/lh/li
60	04417549	2	special bushing
70	0.900.0469.1	4	screw m 20x65
80	0.900.0498.6	2	grease gun
90	04417552	2	ring 78.5x6
100	0.900.1431.3	2	bearing
110	0.010.2922.2	2	grease gun m 8 p.1 x 8



**SOLENOID VALVE - 2095 011 001**

Fig.	P/n	QTY	Name
10	0.900.0952.1	1	control
10.10	0.900.0952.8	1	solenoid valve DV
10.10.10	0.900.1377.6	1	gasket 13 x 1.5
10.10.20	0.900.1377.5	1	gasket 12,4 x 1,78
10.10.30	0.900.1377.7	1	gasket 14x1.78
10.10.40	0.900.1377.8	1	screw m 8 x 16
20	0.900.0801.4	4	ring 11,3 x 2,4 NBR-70-10
30	0.900.1363.3	1	small block
30.10	0.900.1384.6	1	solenoid valve
40	0.900.1363.4	2	screw
50	0.900.2189.8	1	screw
60	04423731	3	oil seal 14 x 18
70	0.900.2181.6	1	piping
80	0.900.1638.1	1	plug
90	04417784	1	nut
100	0.900.2209.1	1	pipe union



**GEARBOX - 2095 011 001**

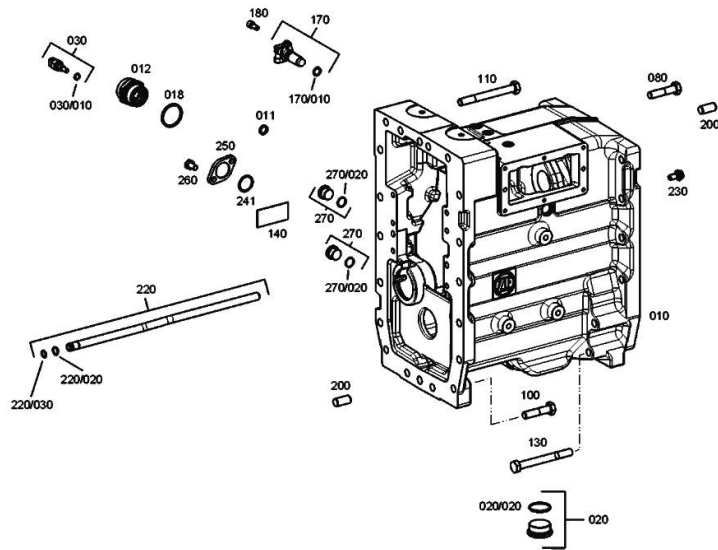
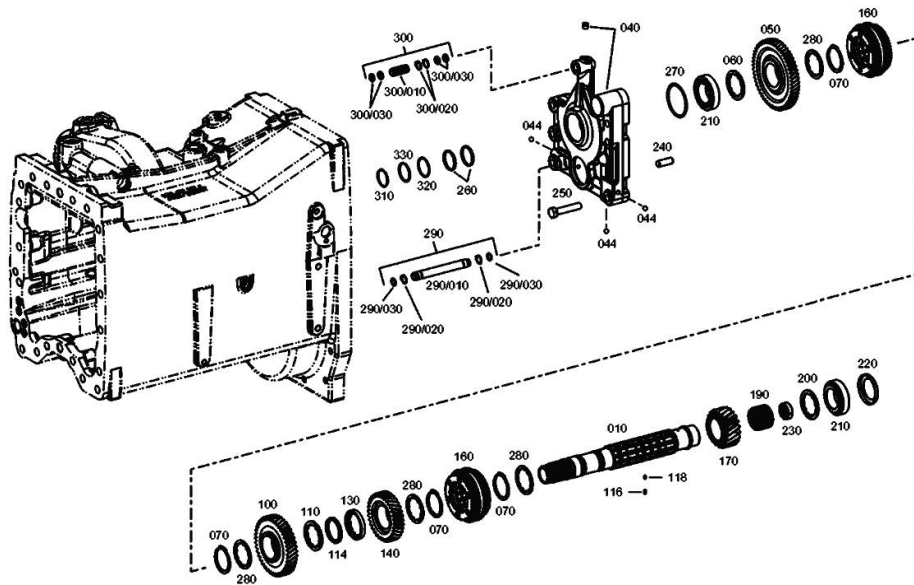


Fig.	P/n	QTY	Name
10	0.900.2189.9	1	box
11	04433579	1	oil seal 13.80 - 2.60
12	0.900.2182.1	1	insert
18	01118830	1	oil seal 42x49
20	04435197	1	plug
20.20	02315144	1	oil seal 38x2.5
30	0.900.0800.6	1	temperature gauge
30.10	0.900.0801.6	1	ring 11x2 ZFN 744 FPM-80-10
80	0.010.2887.1	1	screw m 14 x 60
100	0.010.2887.1	12	screw m 14 x 60
110	0.010.3354.1	6	screw m 14x130
130	0.010.3354.1	4	screw m 14x130
140	04416088	1	number plate
170	04438450	1	speed sensor L = 53,0mm
170.10	04417747	1	oil seal 15.54x2.62
180	04434551	1	screw m 8 p.1.25 x 20
200	04416090	4	cylindrical plug 16 m 6x30
220	0.010.3437.0	1	flexible hose
220.2	0.010.3344.1	1	circlip 15x1
220.3	06214801	1	oil seal 12x1.5
230	04416628	1	screw
241	0.010.3257.2	1	gasket 28x2.5
250	0.900.2190.0	1	cover
260	0.900.1639.3	2	screw
270	04434343	2	screw
270.20	04415900	1	oil seal

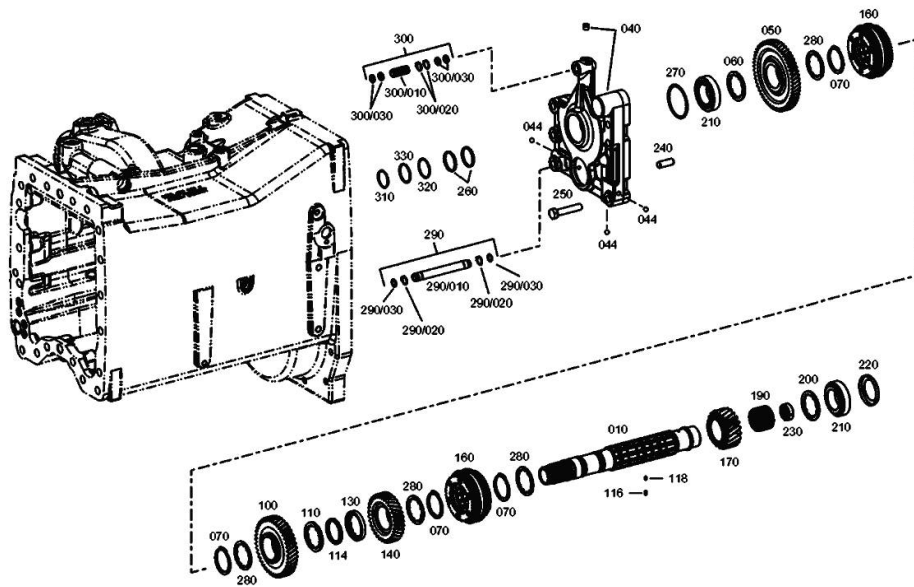
Section: D0 - TRANSMISSION  
**LAYSHAFT - 2095 011 001**

Fig.	P/n	QTY	Name
10	0.900.0956.3	1	shaft
40	0.900.1289.3	1	cap
44	04415909	3	ball
50	0.900.2183.3	1	gear
60	04416108	1	shim mm 3.2
70	04416096	4	circlip
100	0.900.0956.1	1	gear
110	04416099	1	shim mm 4.0
114	04416100	1	ring
116	04416101	1	pin 4x8
118	04416102	1	pin 2.5x8
130	04416103	1	shim
140	0.900.2183.4	1	gear
160	0.900.0462.5	2	lock synchronizer
170	0.900.2183.5	1	gear
190	0.900.2223.5	1	needle
200	0.010.3418.0	1	washer mm 3.3
200	0.010.3418.1	1	washer mm 3.4
200	04416108	1	shim mm 3.2
200	04416109	1	shim mm 3.5
210	04416110	2	roller bearing
220	02374320	1	fan
230	04416112	1	bearing
240	04416439	2	cylindrical plug 12x25
250	0.010.3354.2	6	screw m 12 x 60
250	0.900.0282.7	1	slewing ring
260	04335064	2	oil seal 34x3
270	04417246	1	shim mm 1.00
270	04417247	1	shim mm 1.05
270	04417248	1	shim mm 1.10
270	04417249	1	shim mm 1.15
270	04417250	1	shim mm 1.20
270	04417251	1	shim mm 1.25
270	04417252	1	shim mm 1.30
270	04417253	1	shim mm 1.35
270	04417254	1	shim mm 1.40
270	04417268	1	shim mm 1.45
270	04417269	1	shim mm 1.50
270	04417270	1	shim mm 1.60
270	04417271	1	shim mm 1.60
270	04419713	1	shim mm 1.65
270	04419714	1	shim mm 1.70
270	04419715	1	shim mm 1.75
270	04419716	1	shim mm 1.80



Section: D0 - TRANSMISSION  
**LAYSHAFT - 2095 011 001**

Fig.	P/n	QTY	Name
270	04419717	1	shim mm 1.85
270	04419718	1	shim mm 1.90
270	04419719	1	shim mm 1.95
270	04419720	1	shim mm 2.00
270	04419721	1	shim mm 2.05
270	04419722	1	shim mm 2.10
270	04419723	1	shim mm 2.15
270	04419724	1	shim mm 2.20
280	0.010.3437.1	4	flexible hose
290.10	04416629	1	tube
290.20	0.010.3344.1	2	circlip 15x1
290.30	06214801	2	oil seal 12x1.5
300	0.010.3436.1	1	flexible hose
300.10	04431768	1	tube
300.20	0.010.3344.1	2	circlip 15x1
300.30	04419168	4	oil seal 11x2.5
310	0.900.0293.6	1	locking segment
320	04431776	1	ring mm 1.30
330	04416116	1	circlip



**Buy Now**



Our support email:

[ebooklibonline@outlook.com](mailto:ebooklibonline@outlook.com)