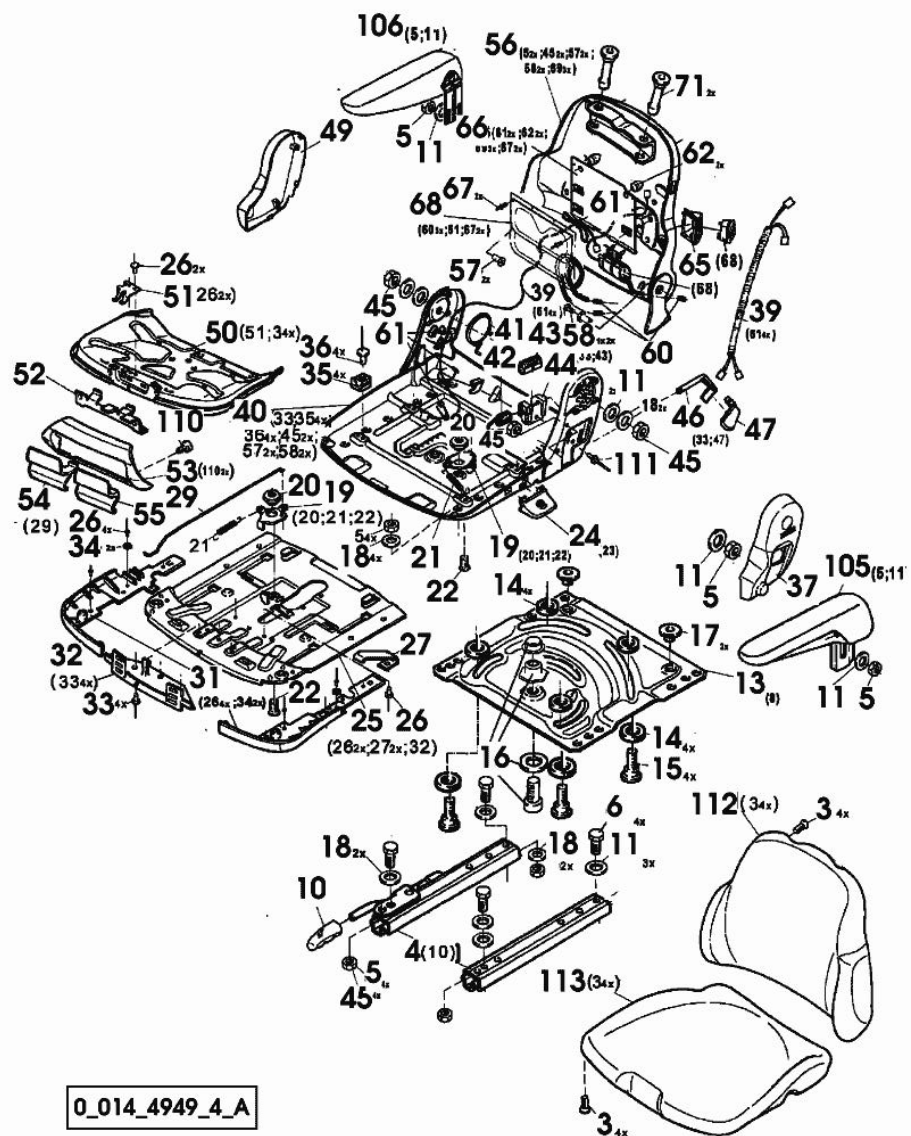


SEAT-COMPONENTS

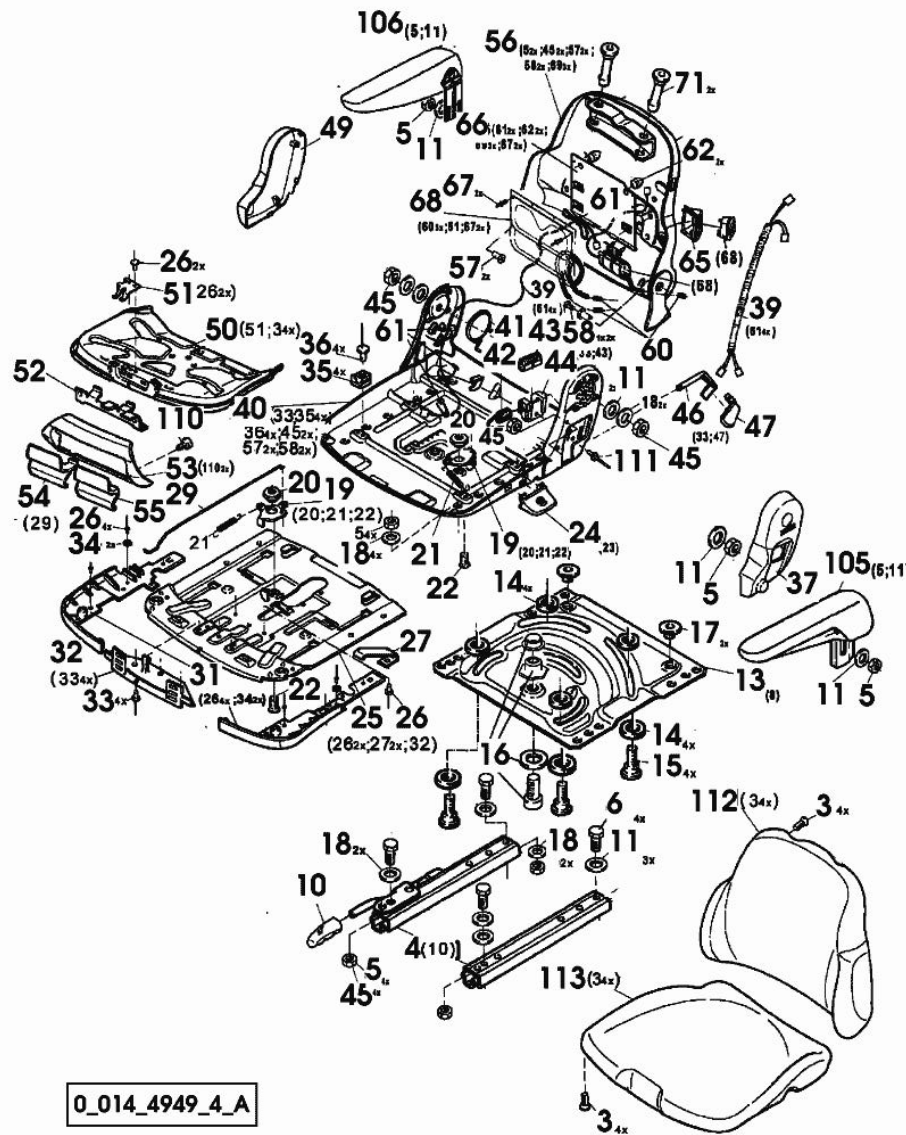
Fig.	P/n	QTY	Name
1	0.000.0000.1		cannot be supplied
3	0.010.3500.2	8	screw m 5
4	0.010.2954.0	1	seat guide
5	0.010.2401.0	10	nut m 8
6	0.010.2405.0	4	pin m 8 x 16
10	0.010.2943.2	1	knob
11	0.010.2945.0	7	washer 8.4
13	0.010.3072.2	1	plate
14	0.009.4371.2	8	shim
15	04418310	4	pin
16	0.010.3517.0	1	screw
17	0.010.3073.0	2	bush
18	0.010.3152.0	8	gasket
19	0.010.3071.2	2	lever
20	0.010.3072.1	2	bush
21	04350966	2	spring
22	0.010.3509.1	2	screw
24	0.010.3074.0	1	handle
25	0.010.3068.0	1	plate
26	04418973	7	rivet
27	0.010.3068.1	1	super reduction gear
29	0.010.3072.0	1	rod
31	0.010.3069.0	1	hood
32	0.010.3069.1	1	console
33	0.010.3511.0	4	rivet
34	0.010.3151.1	2	washer
35	0.010.3068.2	4	support
36	0.010.3540.0	4	rivet
37	0.900.0297.7	1	cover sx/lh/li
39	0.900.0297.8	1	electric cable
40	0.010.3544.0	1	chassis frame
41	0.900.0370.8	1	clip
42	0.900.0297.9	1	spring
43	0.900.0298.0	1	stop
44	0.900.0298.1	1	accessories
45	0.010.2948.1	2	nut m 8
46	0.900.0298.2	1	lever
47	0.900.0298.3	1	lever
49	0.900.0298.4	1	cover dx/rh/re
50	0.010.3069.2	1	plate
51	0.010.3070.0	1	plate
52	0.010.3070.1	1	grille
53	0.010.3070.2	1	cover
54	0.010.3071.0	1	handle dx/rh/re



0\_014\_4949\_4\_A

SEAT-COMPONENTS

Fig.	P/n	QTY	Name
55	0.010.3071.1	1	handle sx/lh/li
56	0.000.0000.1	1	cannot be supplied
57	0.010.2953.1	2	special bushing
58	0.010.2948.0	2	screw m 8 x 40
60	0.010.3510.2	3	guard
61	0.900.0298.5	4	cable
62	02310080	2	shock absorber
65	0.010.3066.1	1	body
66	0.010.3067.1	1	plate
67	0.010.3510.1	1	rivet
68	0.010.3067.0	2	support
71	0.010.2950.2	2	special bushing
105	0.900.0298.6	1	armrest sx/lh/li
106	0.900.0298.7	1	armrest dx/rh/re
110	0.010.2943.1	2	screw
111	0.900.0298.8	1	rivet
112	0.900.0297.4	1	backrest
113	0.900.0297.5	1	cushion



0\_014\_4949\_4\_A

SEAT-COMPONENTS

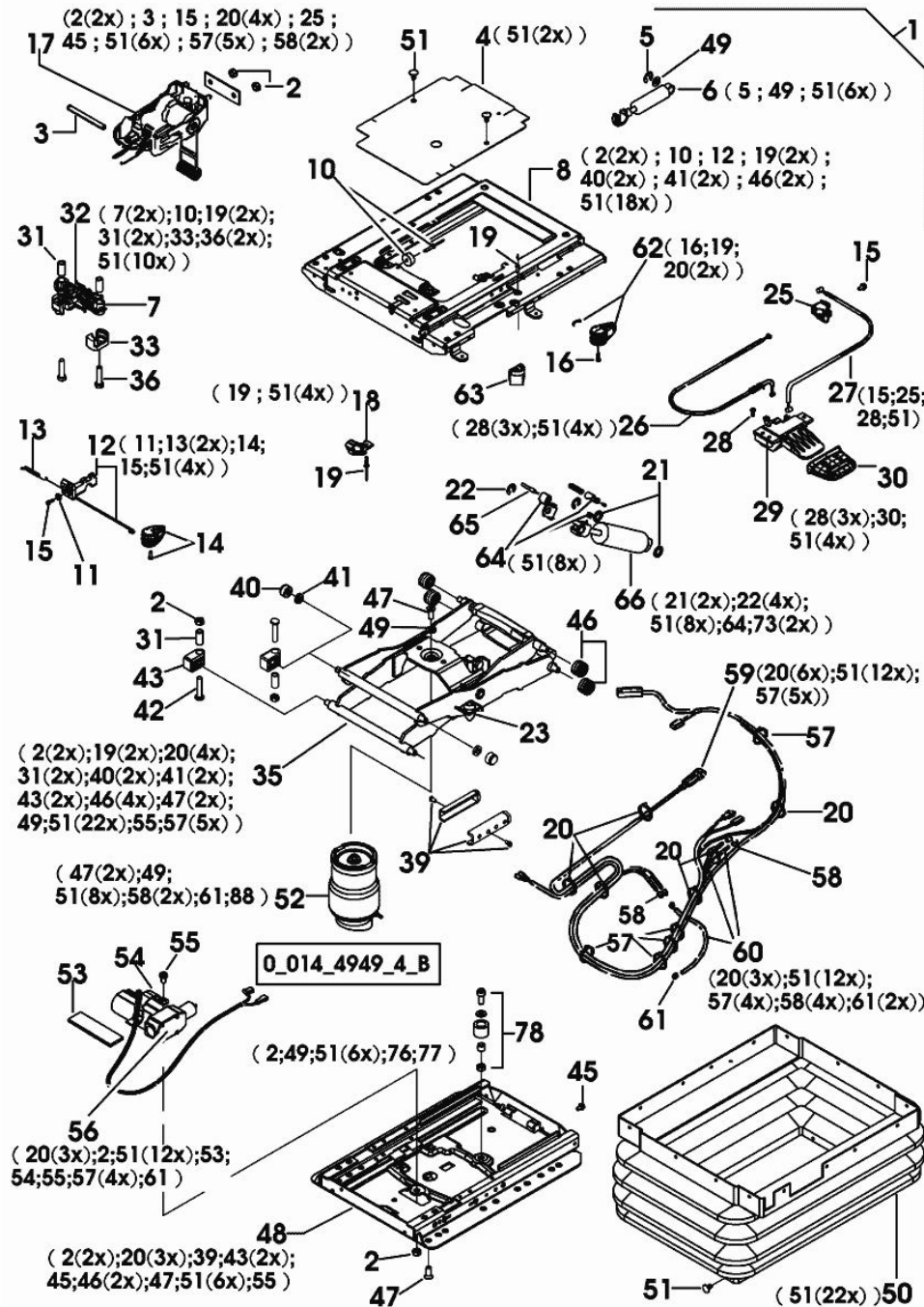


Fig.	P/n	QTY	Name
1	0.010.3076.0	1	seat springs
2	0.000.0000.1	6	cannot be supplied
3	0.000.0000.1		cannot be supplied
4	0.010.2277.1	1	cover
5	0.000.0000.1		cannot be supplied
6	0.900.0133.6	1	shock absorber
7	0.010.2956.0	2	special bushing
8	0.900.0134.4	1	casing
10	0.900.0133.7	1	stop
11	0.000.0000.1		cannot be supplied
12	0.900.0133.9	1	lever
13	0.900.0133.8	2	spring
14	0.010.2077.2	1	knob
15	0.000.0000.1		cannot be supplied
16	0.000.0000.1		cannot be supplied
17	0.900.0132.3	1	lever
18	0.010.2271.2	2	ring
19	0.000.0000.1		cannot be supplied
20	0.000.0000.1		cannot be supplied
21	0.000.0000.1		cannot be supplied
22	0.000.0000.1		cannot be supplied
23	0.010.2275.1	2	stop
25	0.000.0000.1		cannot be supplied
26	0.010.2272.0	1	electric cable
27	0.010.3077.0	1	electric cable
28	0.010.2943.1	3	screw
29	0.010.2272.2	1	lever
30	0.010.3526.1	1	grip
31	0.010.2955.2	4	tube
32	0.900.0134.0	1	seat support
33	0.010.2956.1	1	support
35	0.900.0131.5	1	chassis frame
36	0.900.0131.4	2	screw
40	0.010.3526.2	2	roller
41	0.000.0000.1		cannot be supplied
42	0.000.0000.1		cannot be supplied
43	0.010.2959.1	2	support
45	0.000.0000.1		cannot be supplied
46	04402577	4	roller
47	0.000.0000.1		cannot be supplied
48	0.010.3907.1	1	plate
49	0.000.0000.1		cannot be supplied
50	0.010.3907.2	1	guard
51	0.000.0000.1		cannot be supplied

**SEAT-COMPONENTS**

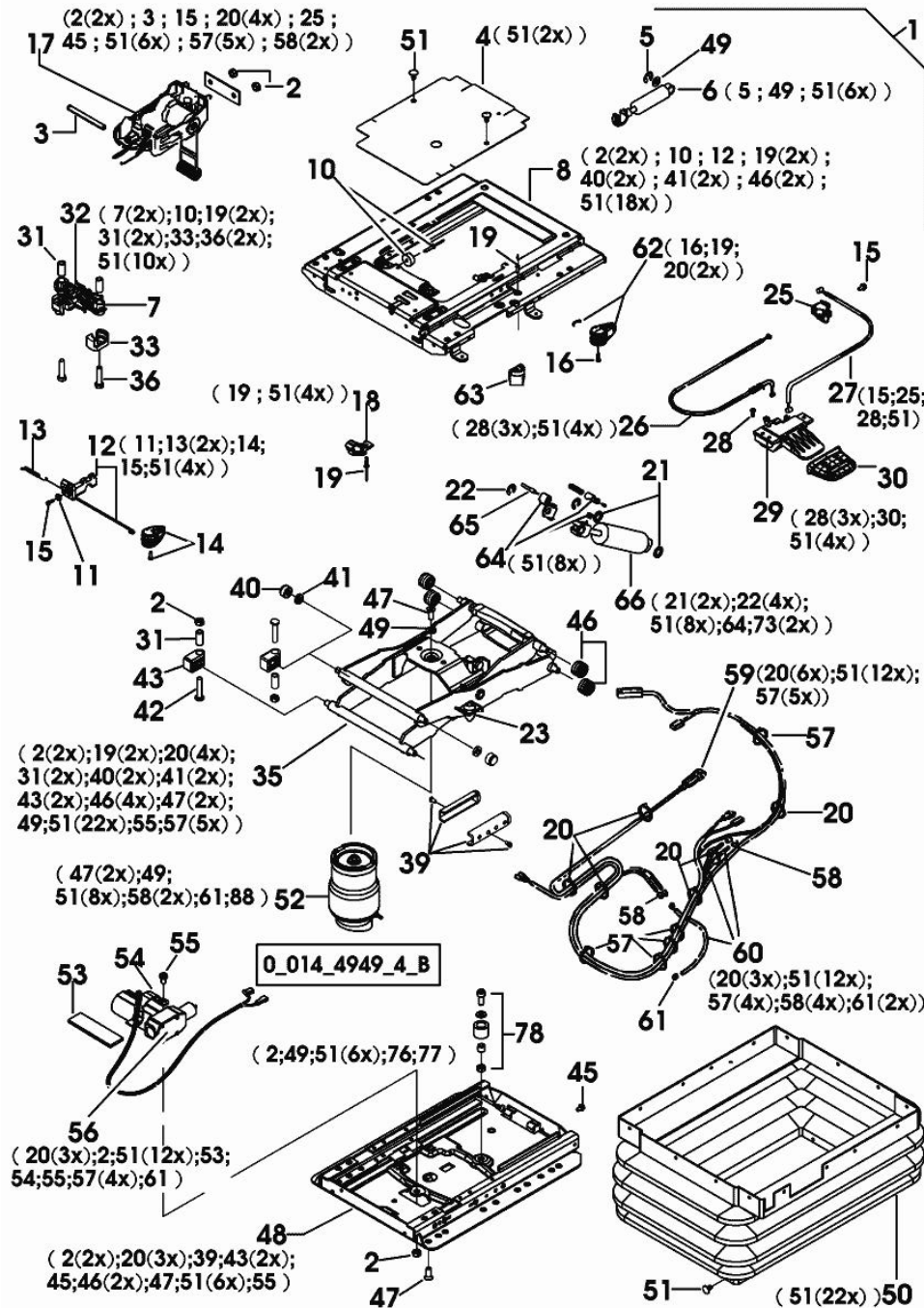
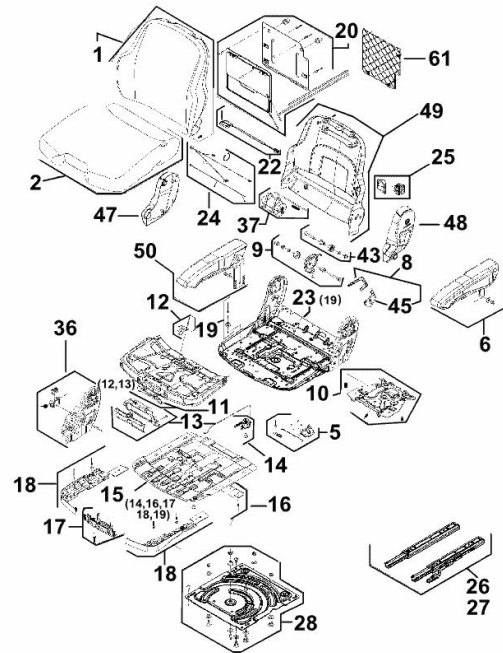


Fig.	P/n	QTY	Name
52	0.900.0131.6	1	spring
53	0.000.0000.1	1	cannot be supplied
54	0.000.0000.1	1	cannot be supplied
55	0.000.0000.1	1	cannot be supplied
56	0.900.0134.2	1	compressor
57	0.000.0000.1	1	cannot be supplied
58	0.000.0000.1	1	cannot be supplied
59	0.010.3077.2	1	electric cable
60	0.900.0134.5	1	electric cable
61	0.000.0000.1	2	cannot be supplied
62	0.010.3078.0	1	knob
63	0.010.3544.1	1	pin
64	0.010.3078.1	1	window repair kit
65	0.010.3544.2	1	push-button
66	0.900.0134.6	1	shock absorber
78	0.010.2277.2	1	sub-assy parts

**SEAT-COMPONENTS**



0.014.4949.4\_10\_A

Fig.	P/n	QTY	Name
1	0.900.0297.4	1	backrest
2	0.900.0297.5	1	cushion
5	0.010.3074.0	1	handle
6	0.900.0298.6	1	armrest sx/lh/li
8	0.900.0298.2	1	lever
9	0.900.1533.1	1	bearing dx/rh/re
10	0.900.1533.2	1	plate
11	0.900.1533.3	1	small plate
12	0.010.3070.0	1	plate
13	0.900.1533.3	1	small plate
14	0.010.3071.2	1	lever
15	0.900.1533.4	1	plate
16	0.900.1533.5	1	plate
17	0.010.3069.1	1	console
18	0.010.3069.0	1	hood
19	0.900.1533.6	1	small plate
20	0.900.1533.7	1	plate
22	0.900.1533.8	1	magnet
23	0.010.3905.1	1	plate
24	0.900.1533.9	1	electric cable
25	0.900.1534.0	1	body
26	0.900.0371.4	1	seat guide
27	0.900.1534.1	1	sub-assy parts
28	0.900.1534.2	1	plate
36	0.900.0298.1	1	accessories
37	0.900.1534.3	1	compressor
43	0.900.1534.4	1	bearing sx/lh/li
45	0.900.0298.3	1	lever
47	0.900.0298.4	1	cover dx/rh/re
48	0.900.0297.7	1	cover sx/lh/li
49	0.900.1534.5	1	backrest
50	0.900.0298.7	1	armrest dx/rh/re
61	0.900.1420.2	1	net mesh

**SEAT-COMPONENTS**

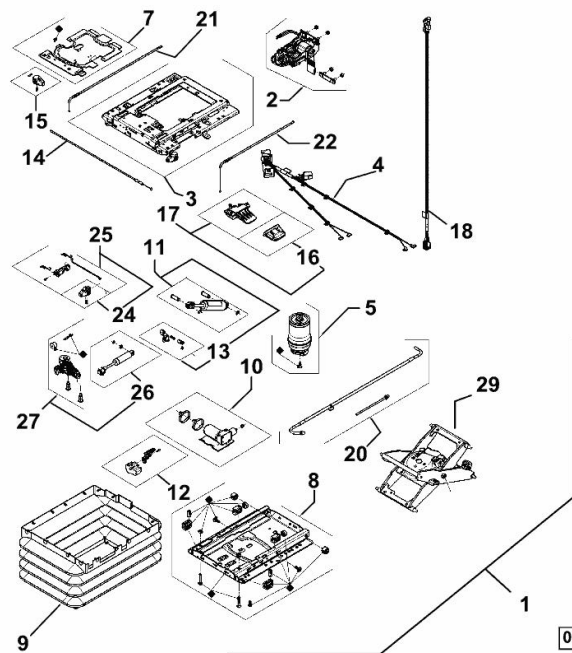
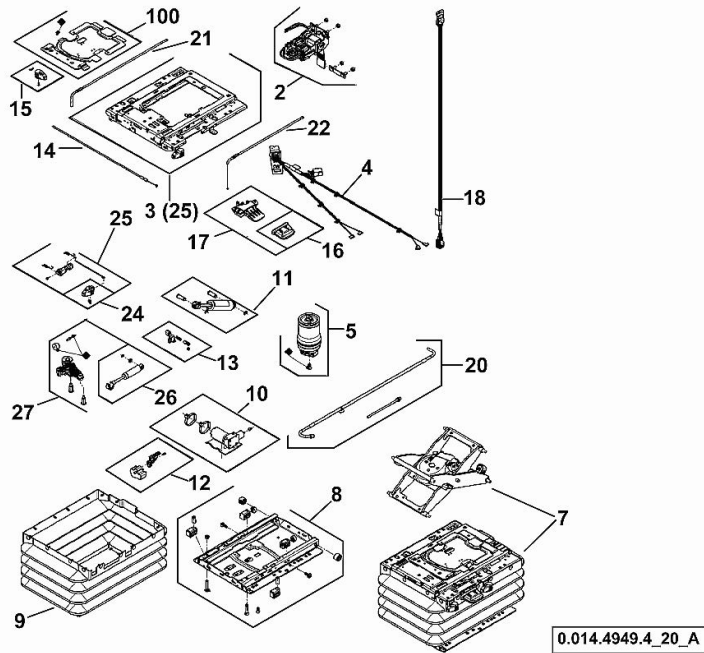


Fig.	P/n	QTY	Name
1	0.900.1535.1	1	seat springs
2	0.900.1534.7	1	controls assembly
3	0.900.1534.8	1	plate
4	0.900.1534.9	1	electric cable
5	0.900.1535.0	1	shock absorber
7	0.900.1534.6	1	cover
8	0.900.1535.2	1	plate
9	0.900.1535.3	1	bellows
10	0.900.1535.4	1	compressor
11	0.900.1535.5	1	tyre
12	0.900.1535.6	1	body
13	0.900.1535.7	1	body
14	0.900.1535.8	1	rod
15	0.010.3078.0	1	knob
18	0.900.1535.9	1	electric cable
20	0.900.1536.0	1	tube
21	0.900.1536.1	1	rod
22	0.900.1536.2	1	rod
24	04418262	1	knob
25	0.900.1536.3	1	controls assembly
26	0.900.1536.4	1	shock absorber
27	0.900.1536.5	1	body
29	0.000.0000.1		cannot be supplied

**SEAT-COMPONENTS**

Fig.	P/n	QTY	Name
2	0.900.1534.7	1	controls assembly
3	0.900.1534.8	1	plate
4	0.900.1534.9	1	electric cable
5	0.900.1535.0	1	shock absorber
7	0.900.1535.1	1	seat springs
8	0.900.1535.2	1	plate
9	0.900.1535.3	1	bellows
10	0.900.1535.4	1	compressor
11	0.900.1535.5	1	tyre
12	0.900.1535.6	1	body
13	0.900.1535.7	1	body
14	0.900.1535.8	1	rod
15	0.010.3078.0	1	knob
16	0.010.3526.1	1	grip
17	0.010.2272.2	1	lever
18	0.900.1535.9	1	electric cable
20	0.900.1536.0	1	tube
21	0.900.1536.1	1	rod
22	0.900.1536.2	1	rod
24	0.010.2077.2	1	knob
25	0.900.1536.3	1	controls assembly
26	0.900.1536.4	2	shock absorber
27	0.900.1536.5	1	body
100	0.900.1534.6	1	cover



**Buy Now**



Our support email:

[ebooklibonline@outlook.com](mailto:ebooklibonline@outlook.com)