

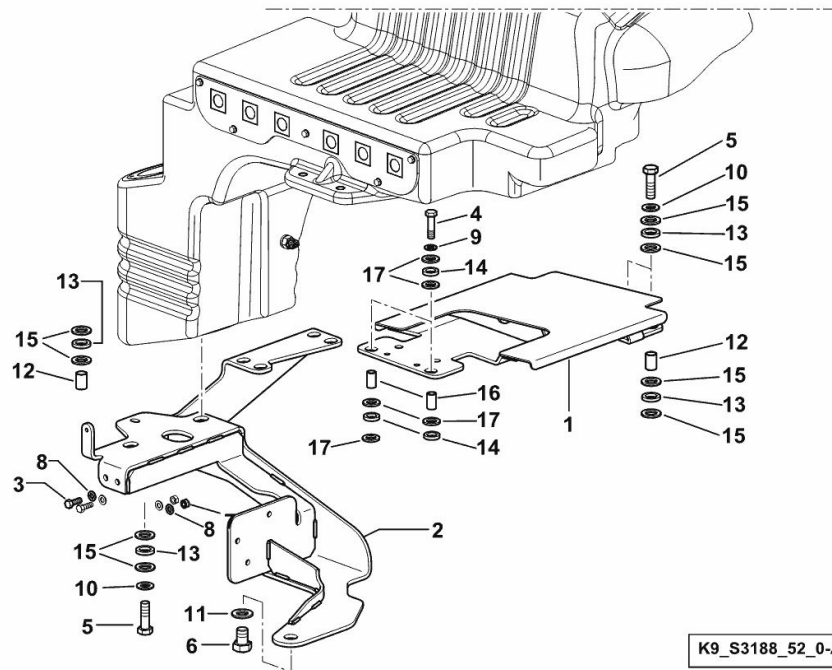
OIL TANK SUPPORT

Fig.	P/n	QTY	Name
------	-----	-----	------

Notes:

[R6.130.4 T4i VRT]

1	0.018.1596.3/20	1	bracket
2	0.018.1679.3/40	1	bracket
3	2.0112.209.2	2	screw m 8 p 1.25 x 25
4	2.0112.315.2	2	screw m 10 p.1.5 x 40
5	2.0112.517.2	4	screw m 14 p.2 x 45
6	2.0112.709.2	1	screw m 18 p.2.5x25
7	2.1011.105.2	2	nut m 8 p.1.25
8	2.1310.004.2	4	flat washer 8.4x17
9	2.1310.006.2	2	flat washer 10.5x21
10	2.1310.009.2	4	flat washer 15x20
11	2.1310.011.2	1	flat washer 19x34
12	2.1549.359.2	4	spacer
13	2.1549.361.0	8	rubber plug
14	2.1549.362.0	4	rubber plug
15	2.1569.217.2	16	washer
16	2.1579.064.2	2	spacer
17	2.1599.510.2	7	spacer



R6.130.4 T4i VRT

Section: H0 - HYDRAULIC AND PNEUMATIC SYSTEM|

Ref: H0.01.15 (1)

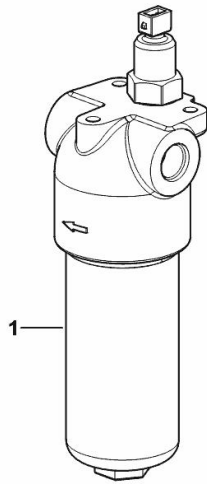
LUBRIC. OIL FILTER

Fig.	P/n	QTY	Name
------	-----	-----	------

Notes:

[R6.130.4 T4i VRT]

1	2.4419.809.0	1	oil filter (50017 <-) ☞ 2.4419.809.0
1	2.4419.809.0/10	1	oil filter (-> 50018) ☞ 2.4419.809.0/10



K9_U1582_10_0-A-001

R6.130.4 T4i VRT

Section: H0 - HYDRAULIC AND PNEUMATIC SYSTEM]

Ref: H0.01.16 (1)

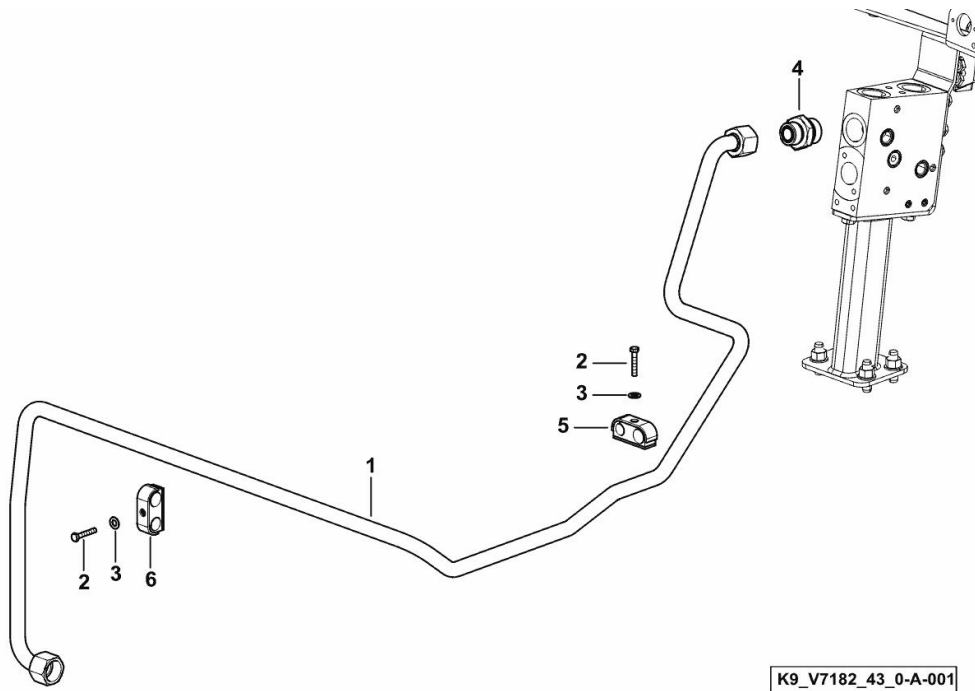
HYDRAULIC SYSTEM FOR FRONT REMOTE VALVE

Fig.	P/n	QTY	Name
------	-----	-----	------

Notes:

[R6.130.4 T4i VRT]

1	0.019.4721.3	1	tube
2	2.0112.013.2	2	screw m 6 p.1 x 35
3	2.1475.002.2	2	conical washer 8
4	2.3272.120.0	1	pipe fitting
5	2.3320.218.0	1	terminal Ø 16/20
6	2.3320.220.0	1	terminal Ø 18/20 - typ A



R6.130.4 T4i VRT

Section: H0 - HYDRAULIC AND PNEUMATIC SYSTEM]

Ref: H0.01.17 (2)

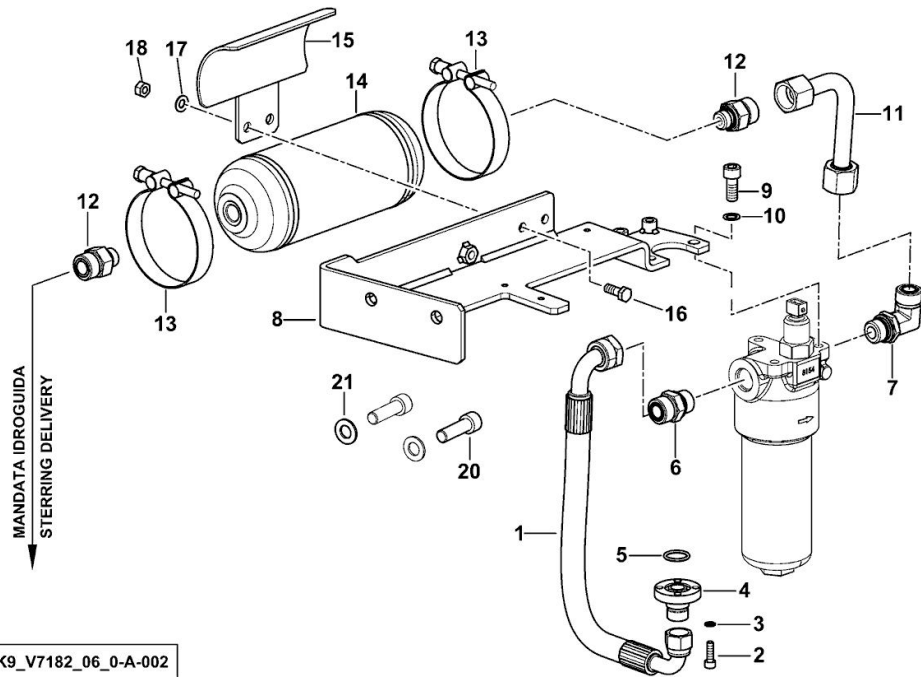
POWER STEERING OIL FEED HYDRAULIC SYSTEM

Fig.	P/n	QTY	Name
------	-----	-----	------

Notes:

[R6.130.4 T4i VRT]

1	0.018.2990.3	1	tube
2	2.0312.106.2	4	screw m 6 p.1 x 20
3	2.1480.012.2	4	washer 6, d128
4	0.018.2512.0	1	flange
5	2.1531.052.0	1	oil seal 20.29 x 2.62
6	2.3275.015.0	1	pipe fitting m 22
7	2.3273.212.0	1	pipe fitting m 22 p.1.5
8	0.019.4540.3/20	1	support
9	2.0312.308.2	2	screw m 10 p.1.5 x 25
10	2.1480.015.2	2	washer 10
11	0.020.8572.3	1	tube
12	2.3272.011.0	2	pipe fitting m 18 p.1.5
13	0.164.8157.3/20	2	fascia Ø 97
14	0.019.0172.0/20	1	vibration damper WEBER
15	0.020.8576.2	1	bracket
16	2.0112.208.2	2	screw m 8 p.1.25 x 22
17	2.1475.002.2	2	conical washer 8
18	2.1011.105.2	2	nut m 8 p.1.25
20	2.0312.414.2	2	screw m 12 x 40
21	2.1475.004.2	2	spring washer 12



K9_V7182_06_0-A-002

POWER STEERING HYDRAULIC SYSTEM

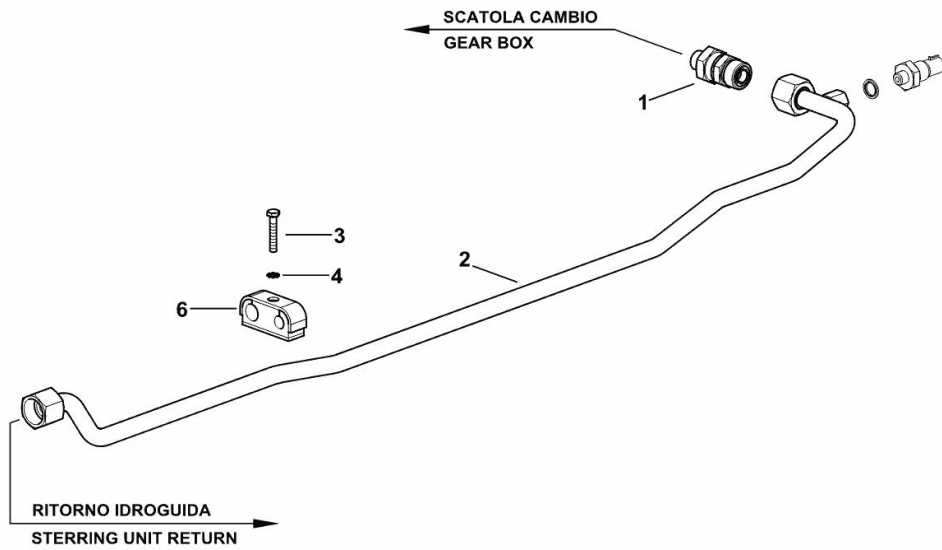
Fig.	P/n	QTY	Name
------	-----	-----	------

Notes:

[R6.130.4 T4i VRT]

1	0.018.8007.4/10	1	valve
2	0.019.5217.3	1	tube
3	2.0112.013.2	1	screw m 6 p.1 x 35
4	2.1470.002.2	1	lock washer 6
6	2.3320.213.0	1	collar Ø 12/16

K9_V7182_16_0-A-001



R6.130.4 T4i VRT

Section: H0 - HYDRAULIC AND PNEUMATIC SYSTEM|

Ref: H0.01.19 (2)

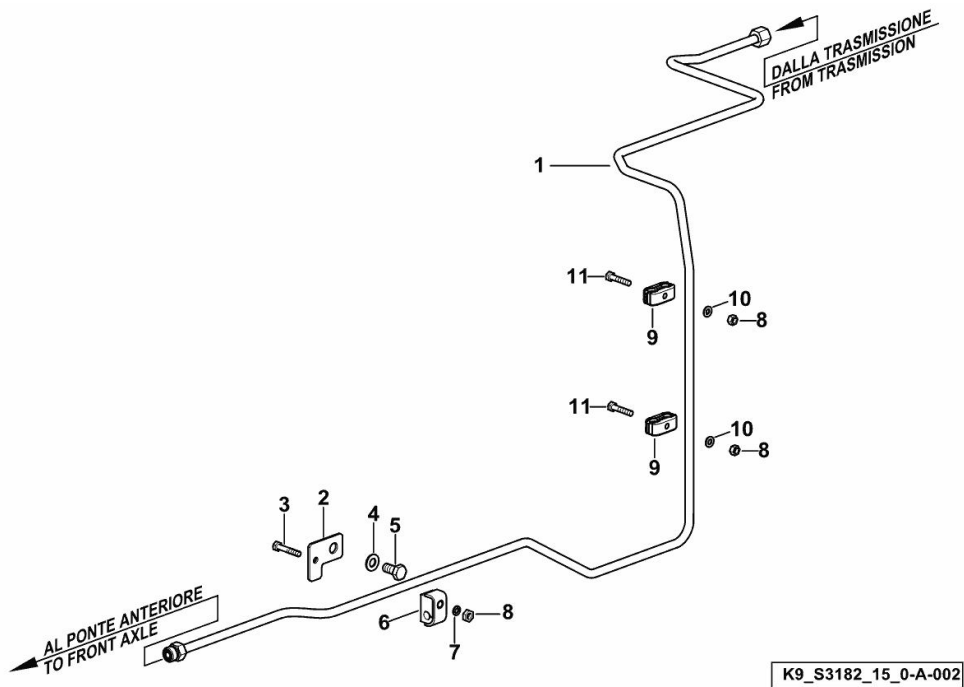
FRONT DIFFERENTIAL LOCK PIPE

Fig.	P/n	QTY	Name
------	-----	-----	------

Notes:

[R6.130.4 T4i VRT]

1	0.018.3301.3/20	1	tube
2	0.018.3110.0/10	1	bracket
3	2.0112.013.2	1	screw m 6 p.1 x 35
4	2.1310.006.2	1	flat washer 10.5x21
5	2.0112.307.2	1	screw m 10 p.1.5 x 20
6	2.3320.103.0	1	collar Ø mm 10
7	2.1470.002.2	1	lock washer 6
8	2.1011.103.2	3	nut m 6 p.1
9	2.3321.009.0	2	clamp 10-12
10	2.1310.002.2	2	flat washer 6.4x12.5
11	2.0112.011.2	2	screw m 6 p.1x30



R6.130.4 T4i VRT

Section: H0 - HYDRAULIC AND PNEUMATIC SYSTEM]

Ref: H0.01.20 (1)

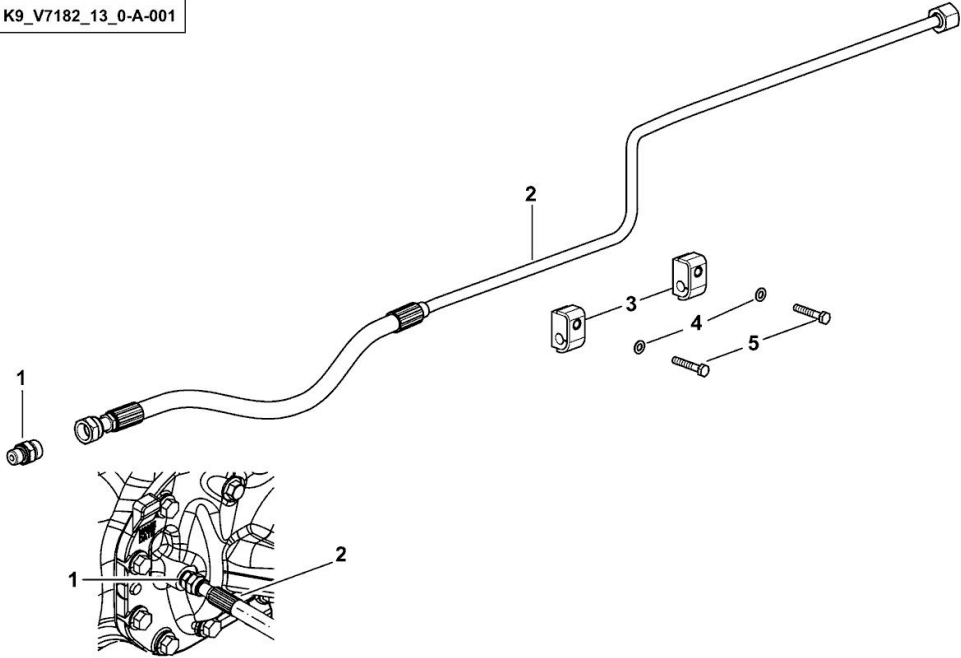
FRONT DIFFERENTIAL LOCK CONTROL LINES

Fig.	P/n	QTY	Name
------	-----	-----	------

Notes:
[R6.130.4 T4i VRT]

1	2.3272.006.0	1	pipe fitting m 14 p.1.5
2	0.019.4171.3	1	tube
3	2.3320.103.0	2	collar Ø mm 10
4	2.1475.001.7	2	washer 6.4x12
5	2.0112.013.2	2	screw m 6 p.1 x 35

K9_V7182_13_0-A-001



Buy Now



Our support email:

ebooklibonline@outlook.com