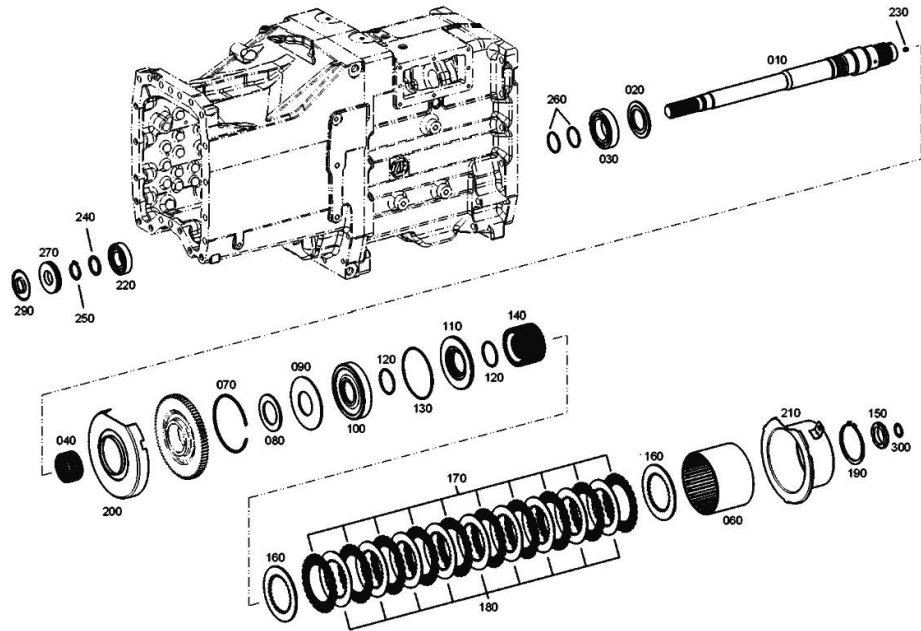


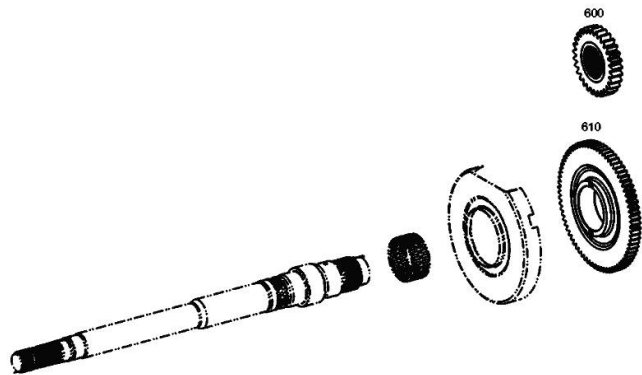
FRONT TRANSMISSION - 2095 011 003

Fig.	P/n	QTY	Name
290	04416410	1	plate
300	0.010.3785.0	1	shim S = 1.80
300	0.010.3785.1	1	shim S = 1.70
300	0.010.3785.2	1	shim S = 1.60
300	0.010.3786.0	1	shim S = 1.50
300	0.010.3786.1	1	shim S = 1.40
300	0.010.3786.2	1	shim S = 1.30
300	0.010.3787.0	1	shim S = 1.20
300	0.010.3787.1	1	shim S = 1.00
300	0.010.3787.2	1	shim S = 0.80
300	0.010.3788.0	1	shim s = 0.60
300	0.010.3788.1	1	shim s = 0.40
300	0.010.3788.2	1	shim s = 0.50
300	0.010.3789.0	1	shim S = 0.30



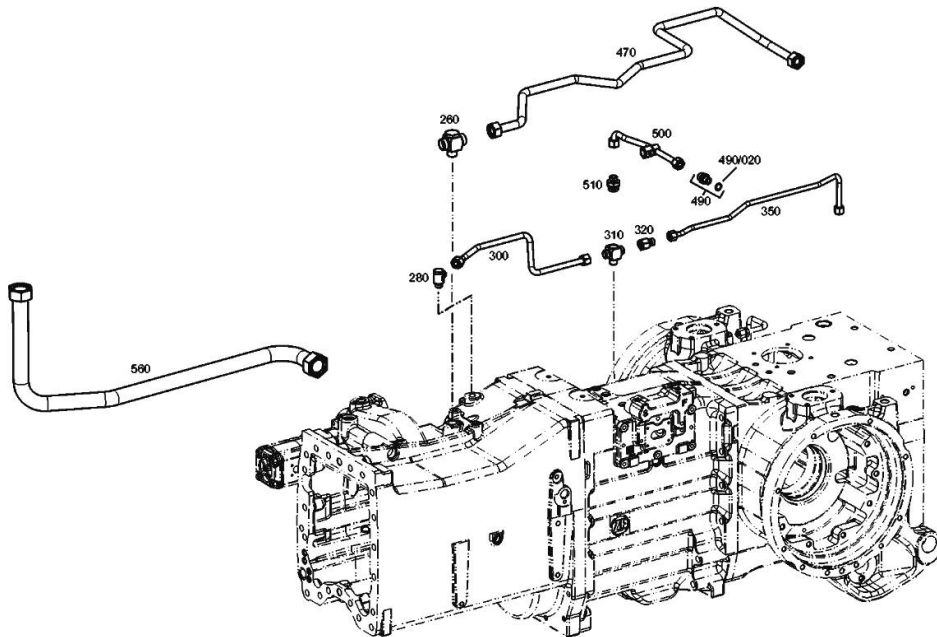
FRONT TRANSMISSION - 2095 011 003

Fig.	P/n	QTY	Name
600	04423288	1	gear Z = 29
610	0.900.1500.3	1	gear



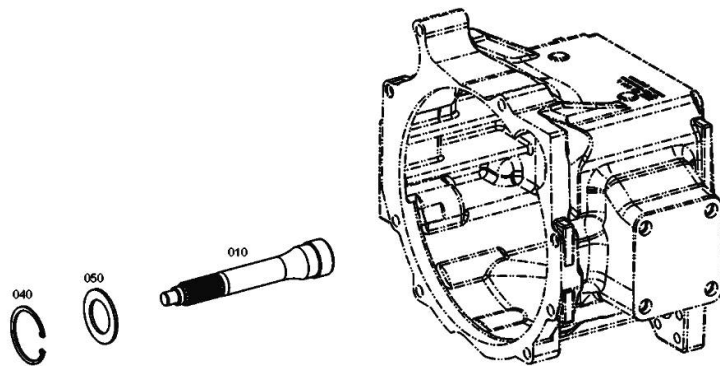
Section: D0 - TRANSMISSION
OIL SUPPLY - 2095 011 003

Fig.	P/n	QTY	Name
260	04416647	1	screw
280	0.900.1362.6	1	straight union
300	0.900.2184.8	1	tube
310	04416428	1	screw
320	04417781	1	reduction
350	0.900.2184.9	1	tube
470	0.900.2185.0	1	tube
490	0.900.2185.1	1	pipe union
490.20	02315162	1	oil seal 13x2
500	0.900.2185.2	1	tube
510	0.010.3805.0	1	vent
560	0.900.2185.3	1	tube



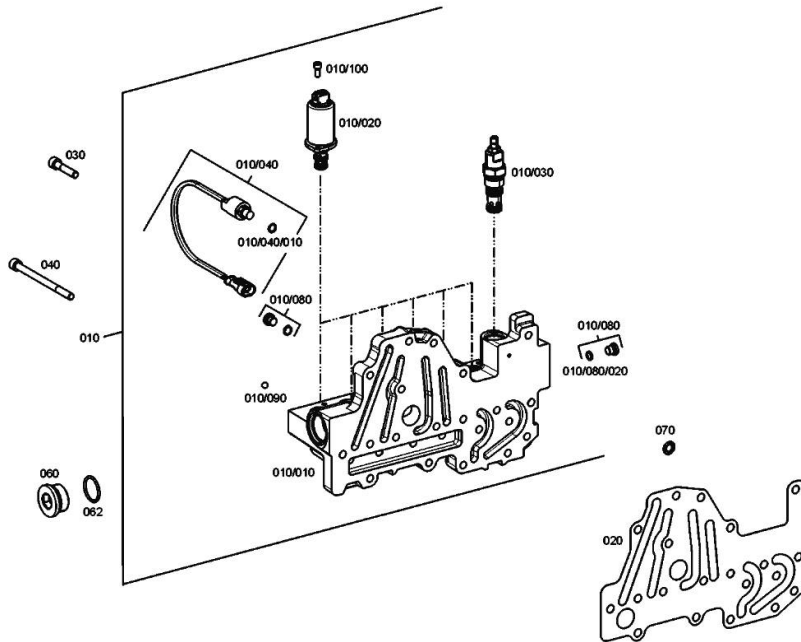
GEARBOX INPUT SHAFT - 2095 011 003

Fig.	P/n	QTY	Name
10	0.900.2185.4	1	shaft
40	0.010.2883.2	1	circlip 85x3
50	04415635	1	washer



HYDRAULIC CONTROL - 2095 011 003

Fig.	P/n	QTY	Name
10	0.900.2048.4	1	hydraulic control block
10.10	0.900.2050.8	1	hydraulic control block
10.20	0.900.2045.8	6	regulator
10.30	0.900.2045.3	1	valve
10.40	04431690	1	pressure switch
10.40.10	04415683	1	oil seal 8x1.5
10.80	0.900.2136.4	7	plug
10.80.20	04415683	1	oil seal 8x1.5
10.90	0.900.2046.5	6	ball Ø mm 7
10.100	04434506	12	screw m 5 x 12
20	0.900.2050.9	1	gasket
30	0.900.2046.8	12	screw m8x40
40	0.900.2046.9	6	screw m8x115
60	0.900.2123.8	1	screw m 33 x 2
62	04415825	1	ring 30x2.5
70	01160038	1	oil seal



HYDRAULIC CONTROL - 2095 011 003

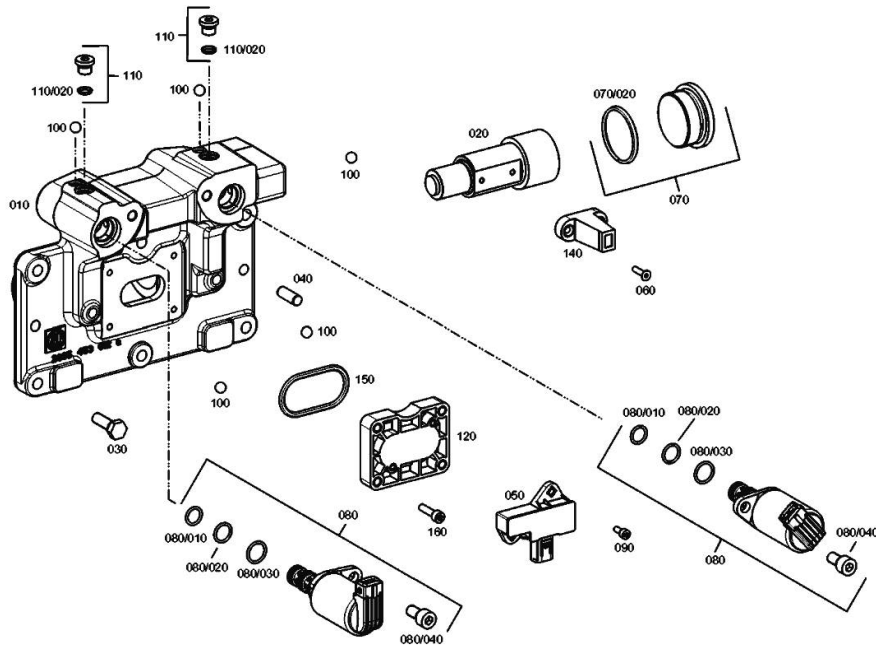


Fig.	P/n	QTY	Name
10	0.900.2185.5	1	box
20	0.900.0957.9	1	piston
30	04434498	6	screw m 8 x 25
40	0.010.3820.1	2	pin m 6 x 20
50	0.900.0277.8	1	position sensor
60	0.900.0470.1	2	screw m 4 x 16
70	0.900.1409.4	1	plug
70.20	02315144	1	oil seal 38x2.5
80	0.900.0952.8	2	solenoid valve DV
80.10	0.900.1377.6	1	gasket 13 x 1.5
80.20	0.900.1377.5	1	gasket 12,4 x 1,78
80.30	0.900.1377.7	1	gasket 14x1.78
80.40	0.900.1377.8	1	screw m 8 x 16
90	0.900.0280.3	2	screw
100	04415909	5	ball
110	0.900.2136.4	2	plug
110.20	04415683	1	oil seal 8x1.5
120	0.900.0286.3	1	cover
140	0.900.0283.7	1	support
150	0.900.0279.1	1	ring
160	0.900.0953.5	4	screw

Section: D0 - TRANSMISSION
PUMP DRIVE - 2095 011 003

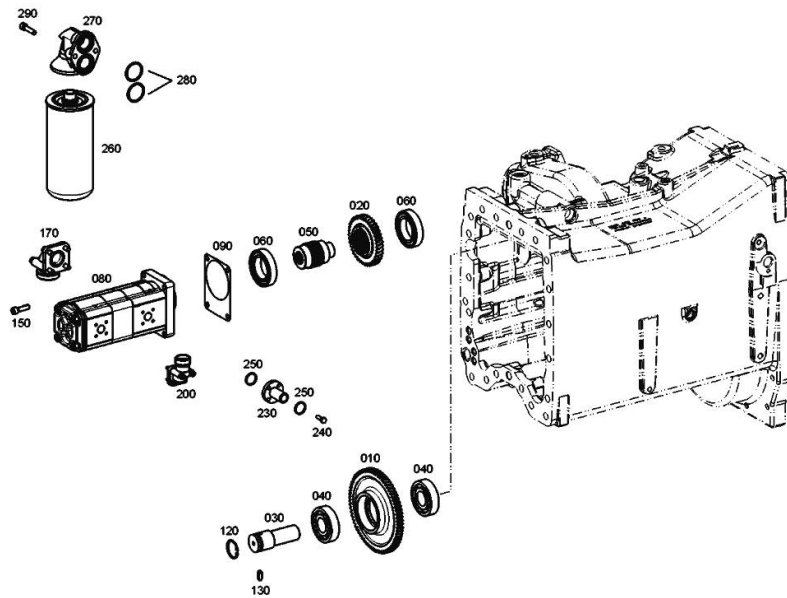


Fig.	P/n	QTY	Name
10	0.900.1589.2	1	gear wheel
20	0.900.0884.7	1	gear z=39
30	0.900.1589.1	1	shaft
40	0.900.1586.7	2	ball bearing
50	0.900.0488.6	1	bush z=38
60	0.010.2877.0	2	ball bearing
80	0.900.2185.6	1	pump
90	04415921	1	gasket
120	0.900.2185.7	1	ring
130	0.900.1224.7	1	pin 8x20
150	01110576	4	screw
170	0.900.2185.8	1	flange
200	0.900.2185.9	1	flange
230	0.900.2186.0	1	flange
240	0.900.2186.1	4	screw
250	0.900.2186.2	2	oil seal
260	0.900.2186.3	1	filter
270	0.900.2186.4	1	head
280	0.900.2186.5	2	oil seal
290	0.010.3821.0	2	screw m 8 x 35

Buy Now



Our support email:

ebooklibonline@outlook.com