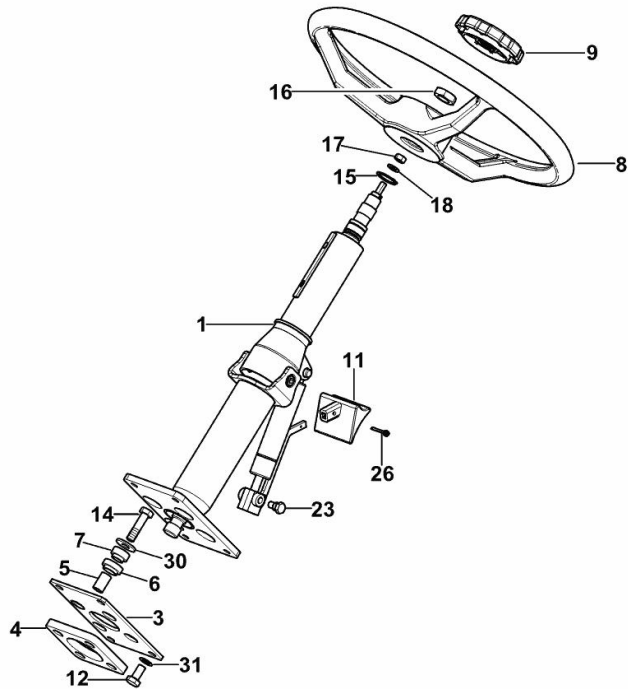


**STEERING CONTROL WITH ADJUSTABLE STEERING WHEEL**

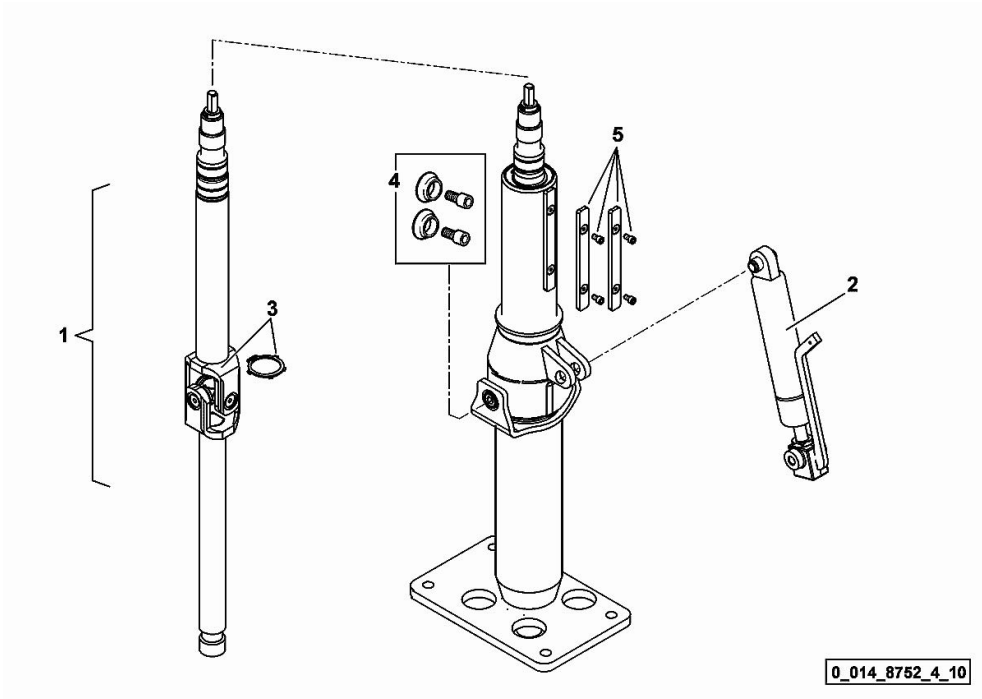


K9\_S3263\_00\_0-A-001

Fig.	P/n	QTY	Name
<b>Notes:</b>			
[R6.135 DCR 4V VRT]			
1	0.014.8752.4/10	1	steering column ☞ 0.014.8752.4/10
3	0.010.7445.0/10	1	plate
4	04355546	1	plate
5	04386557	4	spacer
6	04355695	4	spacer
7	0.018.1722.0	4	spacer
8	04396976	1	steering wheel
9	04386688	1	ring nut
11	04412354	1	knob
12	2.0114.307.2	4	screw m 10 x 20, d933
14	2.0114.315.2	4	screw m 10 p.1.5 x 40
15	2.1410.010.7	2	circlip 25
16	2.1012.510.7	1	nut m 18 p.1.5
17	2.1011.105.2	1	nut m 8 p.1.25
18	2.1310.004.2	1	flat washer 8.4x17
23	2.0119.243.2/10	2	screw m 8 p1.25x16
26	01122070	1	split pin 2 x 20
30	2.1399.039.2/10	4	washer 10 x 25 x 2,5
31	2.1470.006.2	4	lock washer 10

**STEERING COLUMN**

Fig.	P/n	QTY	Name
1	0.014.8752.4/10	1	steering column
2	0.010.3701.1	1	spring
3	0.900.0454.4	1	shaft
4	0.900.0129.2	1	pin
5	0.010.3701.0	1	stick

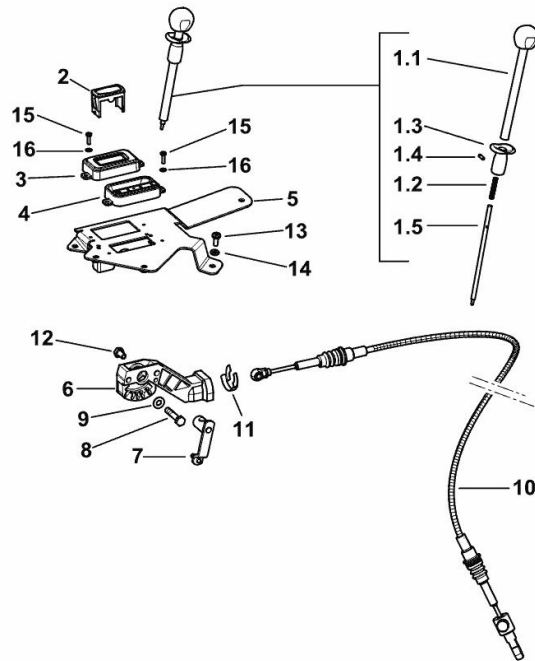


**P.T.O. ENGAGEMENT CONTROL**

Fig.	P/n	QTY	Name
------	-----	-----	------

**Notes:**

- FOR TYPES WITHOUT SYNCHRONIZED P.T.O. [R6.135 DCR 4V VRT]



1.1	0.015.9114.2	1	lever
1.2	04426194	1	spring
1.3	04411645	1	coupling
1.4	01144807	1	screw
1.5	0.013.0350.0	1	lever
2	0.012.6111.4	1	plug
3	0.020.6081.0	1	small cover
4	0.018.4910.2/10	1	small cover P.T.O. ECO-NORM
5	0.018.4919.3	1	bracket
6	04425446/10	1	lever
7	04423032.4	1	lever
8	2.0114.215.2	2	screw m 8 p.1.25 x 40
9	01138374	2	washer 8,4x21x4
10	0.018.6359.3	1	rod mm 2034
11	04418159	1	circlip
12	04423712	1	screw
13	2.0330.406.2	5	screw m 6 p.1.0 x 16
14	2.1310.002.3	5	flat washer 6.4 x 12 x 1.6
15	2.0362.005.2	4	screw m4x15
16	2.1310.028.3	4	washer 4

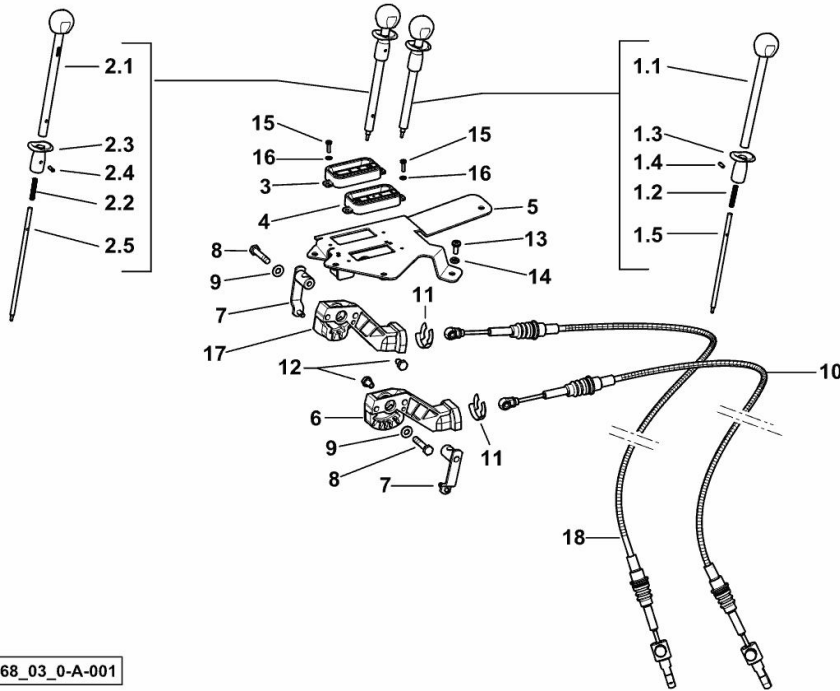
K9\_S3168\_03\_0-A-001

**P.T.O. ENGAGEMENT CONTROL**

Fig.	P/n	QTY	Name
------	-----	-----	------

**Notes:**

- FOR TYPES WITH SYNCHRONISED P.T.O. [R6.135 DCR 4V VRT]



K9\_S3268\_03\_0-A-001

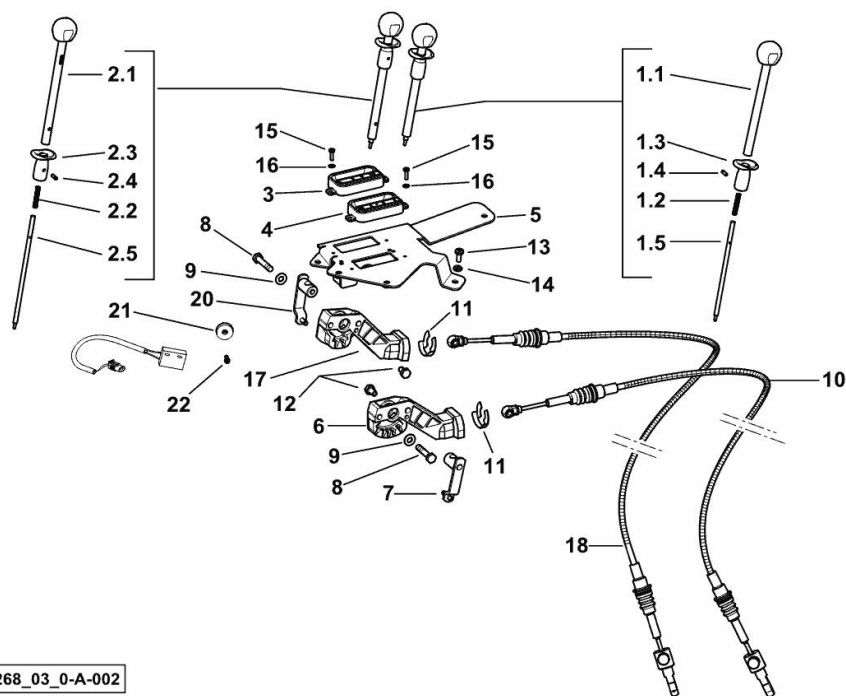
1.1	0.015.9114.2	1	lever
1.2	04426194	1	spring
1.3	04411645	1	coupling
1.4	01144807	1	screw
1.5	0.013.0350.0	1	lever
2.1	0.015.9113.2	1	lever
2.2	04426194	1	spring
2.3	04411645	1	coupling
2.4	01144807	1	screw
2.5	04429555	1	rod
3	0.018.4942.2	1	small cover P.T.O. + SINCRO
4	0.018.4910.2/10	1	small cover P.T.O. ECO-NORM
5	0.017.0208.3/10	1	bracket
6	04425446/10	1	lever
7	04423032.4	2	lever
8	2.0114.215.2	4	screw m 8 p.1.25 x 40
9	01138374	4	washer 8,4x21x4
10	0.018.6359.3	1	rod mm 2034
11	04418159	2	circlip
12	04423712	2	screw
13	2.0330.406.2	5	screw m 6 p.1.0 x 16
14	2.1310.002.3	5	flat washer 6.4 x 12 x 1.6
15	2.0362.005.2	4	screw m4x15
16	2.1310.028.3	4	washer 4
17	04425447/20	1	support
18	0.016.2057.3	1	rod

**P.T.O. ENGAGEMENT CONTROL**

Fig.	P/n	QTY	Name
------	-----	-----	------

**Notes:**

- FOR TYPES WITH SYNCHRONISED P.T.O. [R6.135 DCR 4V VRT]



K9\_S3268\_03\_0-A-002

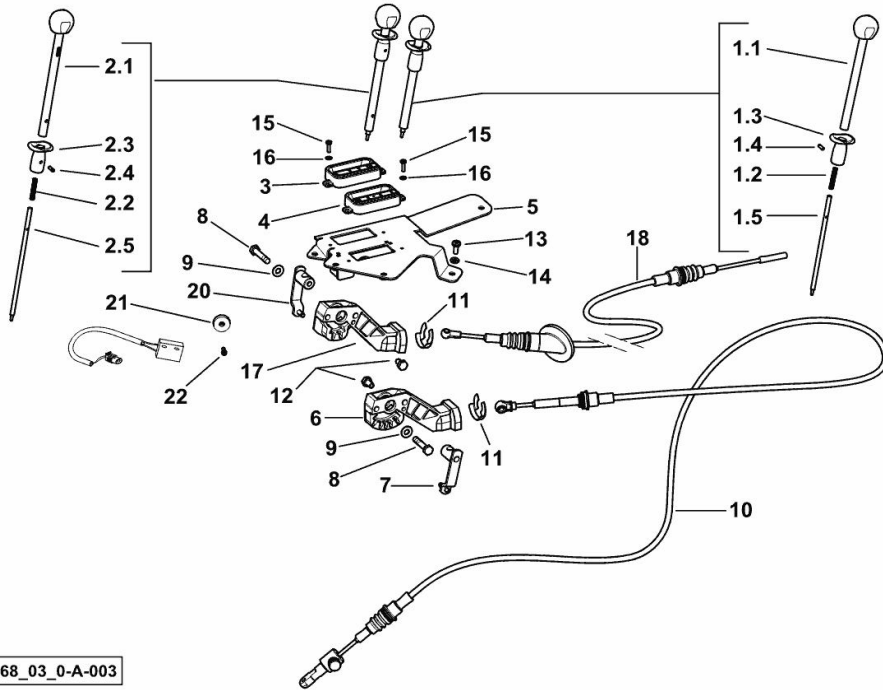
1.1	0.015.9114.2	1	lever
1.2	04426194	1	spring
1.3	04411645	1	coupling
1.4	01144807	1	screw
1.5	0.013.0350.0	1	lever
2.1	0.015.9113.2	1	lever
2.2	04426194	1	spring
2.3	04411645	1	coupling
2.4	01144807	1	screw
2.5	04429555	1	rod
3	0.018.4942.2	1	small cover P.T.O. + SINCRO
4	0.018.4910.2/10	1	small cover P.T.O. ECO-NORM
5	0.018.9389.3	1	bracket
6	04425446/10	1	lever
7	04423032.4	1	lever
8	2.0114.215.2	4	screw m 8 p.1.25 x 40
9	01138374	4	washer 8,4x21x4
10	0.018.6359.3	1	rod mm 2034
11	04418159	2	circlip
12	04423712	2	screw
13	2.0330.406.2	5	screw m 6 p.1.0 x 16
14	2.1310.002.3	5	flat washer 6.4 x 12 x 1.6
15	2.0362.005.2	4	screw m4x15
16	2.1310.028.3	4	washer 4
17	04425447/20	1	support
18	0.016.2057.3	1	rod
20	0.018.9404.4	1	lever
21	04365126	1	magnet
22	01105512	1	screw am 4x12 d84

**P.T.O. ENGAGEMENT CONTROL**

Fig.	P/n	QTY	Name
------	-----	-----	------

**Notes:**

- FOR TYPES WITH SYNCHRONISED P.T.O. [R6.135 DCR 4V VRT]



K9\_S3268\_03\_0-A-003

1.1	0.015.9114.2	1	lever
1.2	04426194	1	spring
1.3	04411645	1	coupling
1.4	01144807	1	screw
1.5	0.013.0350.0	1	lever
2.1	0.015.9113.2	1	lever
2.2	04426194	1	spring
2.3	04411645	1	coupling
2.4	01144807	1	screw
2.5	04429555	1	rod
3	0.018.4942.2	1	small cover P.T.O. + SINCRO
4	0.018.4910.2/10	1	small cover P.T.O. ECO-NORM
5	0.018.9389.3	1	bracket
6	04425446/10	1	lever
7	04423032.4	1	lever
8	2.0114.215.2	4	screw m 8 p.1.25 x 40
9	01138374	4	washer 8,4x21x4
10	0.018.6359.3	1	rod mm 2034
11	04418159	2	circlip
12	04423712	2	screw
13	2.0330.406.2	5	screw m 6 p.1.0 x 16
14	2.1310.002.3	5	flat washer 6.4 x 12 x 1.6
15	2.0362.005.2	4	screw m4x15
16	2.1310.028.3	4	washer 4
17	04425447/20	1	support
18	0.013.0381.3/20	1	rod
20	0.018.9404.4	1	lever
21	04365126	1	magnet
22	01105512	1	screw am 4x12 d84

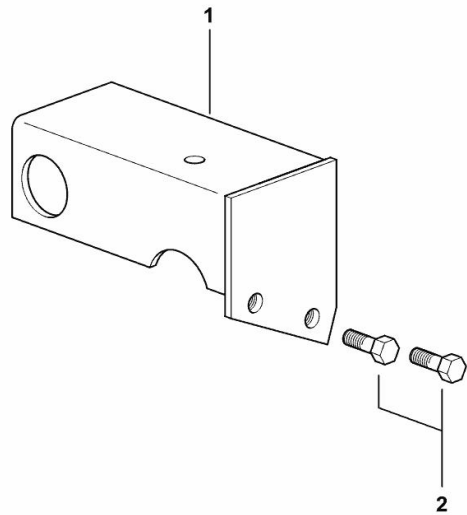
**SUPPORT FOR P.T.O. CONTROLS**

Fig.	P/n	QTY	Name
------	-----	-----	------

**Notes:**

[R6.135 DCR 4V VRT]

1	04450946.3/20	1	bracket
2	2.0114.211.2	2	screw m 8 x 30



K9\_B1668\_03\_0-B-001

**Buy Now**



Our support email:

[ebooklibonline@outlook.com](mailto:ebooklibonline@outlook.com)