

**ACCESSORIES**

Fig.	P/n	QTY	Name
------	-----	-----	------

**Notes:**

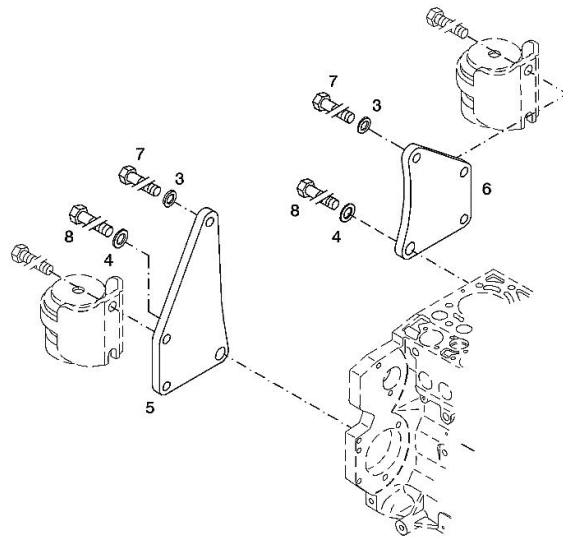
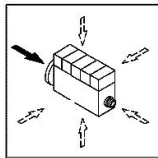
[R6.135 HI-PROFILE DCR 4V]

**Engine serial number:**

10891614 10905698 11059377 11101018 11134976 11136333

3	01182016	2	disc H 2308 -13X24X3-ZNAL-A
4	01181400	2	washer H 2308 -18X25X1,5-A4C
5	04206926	1	plate dx/rh/re
6	04206927	1	plate sx/lh/li
7	01148137	2	screw - UP TO MONTH OF ASSEMBLY ( A ) - FROM MONTH OF ASSEMBLY SEE POS. ( B ) A = 06.2009 B = POS. 950 DIN 931 -M12X75-10.9-ZNAL-A
8	01148037	2	screw UP TO MONTH OF ASSEMBLY ( A ) - FROM MONTH OF ASSEMBLY SEE POS. ( B ) A = 06.2009 B = POS. 951 ISO 4014 -M16X75-10.9-OELGESCHW
950	01149017	2	screw - FROM MONTH OF ASSEMBLY SEE POS. ( B ) - UP TO MONTH OF ASSEMBLY (A) FROM MONTH OF ASSEMBLY A = 07.2009 B = 7
951	01180235	2	screw - FROM MONTH OF ASSEMBLY SEE POS. ( B ) - UP TO MONTH OF ASSEMBLY ( A ) FROM MONTH OF ASSEMBLY A = 07.2009 B= Pos.8 DIN 34800 -BM12X75-10.9-ZNAL-A H 2032 -HBM16X75-10.9-GESCHW

003 ©



ACCESSORIES

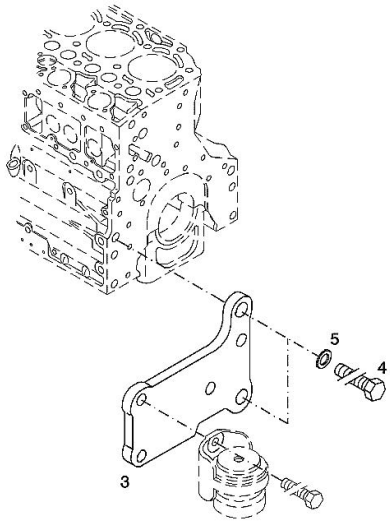
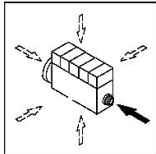
Fig.	P/n	QTY	Name
------	-----	-----	------

Notes:  
 [R6.135 HI-PROFILE DCR 4V]

Engine serial number:  
 10891614 10905698 11059377 11101018 11134976 11136333

3	04288660	1	support
4	01148261	2	screw ISO 4017 -M16X40-10.9-ZNAL-A
5	01181400	2	washer H 2308 -18X25X1,5-A4C

003 ©



Section: B0 - ENGINE  
**OIL FILLER NECK**

Fig.	P/n	QTY	Name
------	-----	-----	------

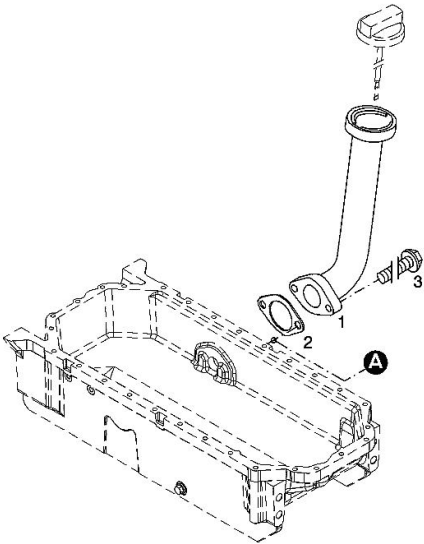
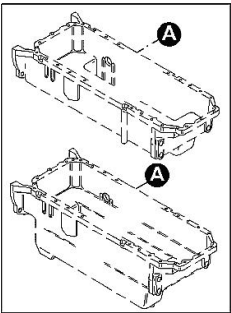
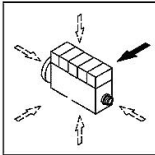
Notes:  
[R6.135 HI-PROFILE DCR 4V]

Engine serial number:  
10891614 10905698 11059377 11101018 11134976 11136333

1	04207099	1	tube
2	01178421	1	gasket
3	01181433	2	screw

30 Nm

001 ©

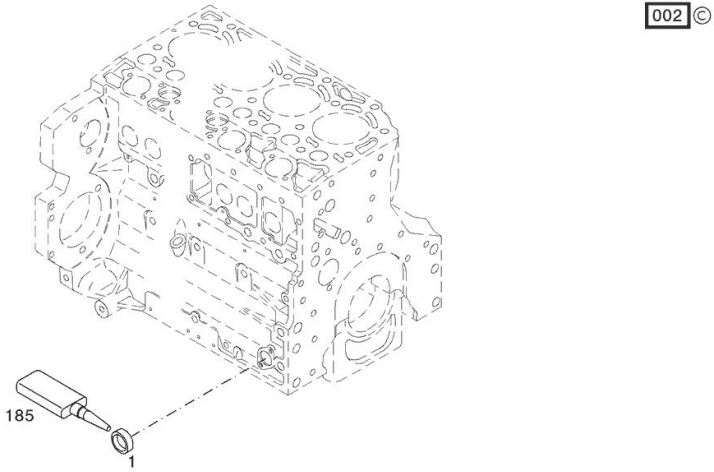
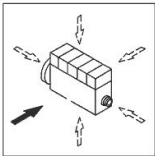


**PLUG**

Fig.	P/n	QTY	Name
------	-----	-----	------

Notes:  
 [R6.135 HI-PROFILE DCR 4V]

1	01148031	1	plug DIN 443 -A36-ZNPHR
185	01319911	1	sealing compound ml. 50



**PISTON COOL.NOZZLE**

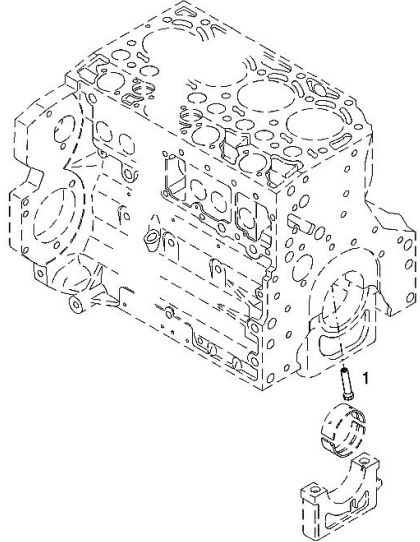
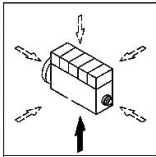
Fig.	P/n	QTY	Name
------	-----	-----	------

**Notes:**  
[R6.135 HI-PROFILE DCR 4V]

**Engine serial number:**  
10891614 10905698 11059377 11101018 11134976 11136333

1	04207521	1	sprayers
---	----------	---	----------

001 ©



**FLANGE**

Fig.	P/n	QTY	Name
------	-----	-----	------

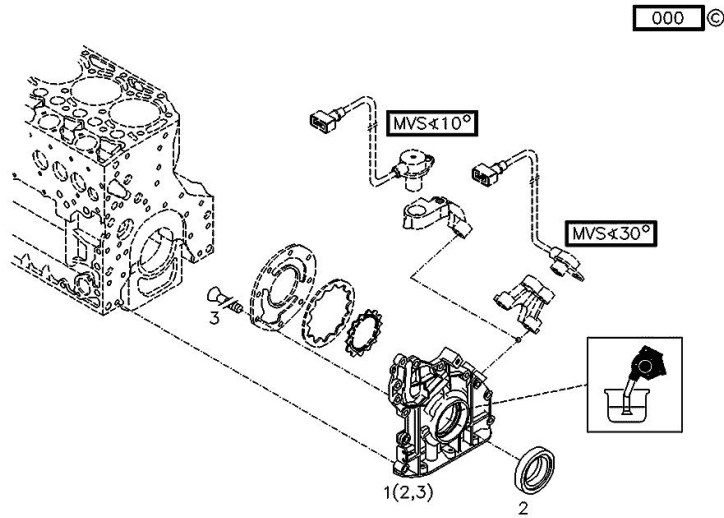
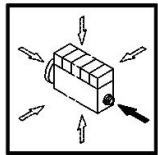
**Notes:**

[R6.135 HI-PROFILE DCR 4V]

**Engine serial number:**

10891614 10905698

1	04283992	1	oil pump WITH POS.... (2,3)
2	04253372	1	oil seal
3	01133718	8	screw DIN 7991 -M6X16-8.8-A4C



**FILLER CAP**

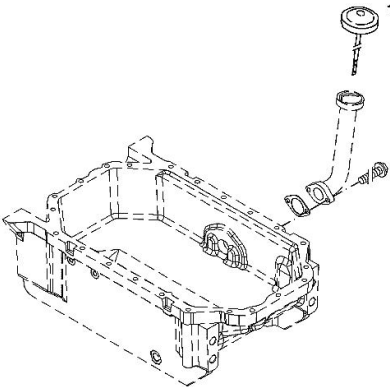
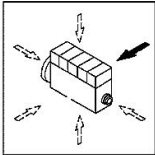
Fig.	P/n	QTY	Name
------	-----	-----	------

**Notes:**  
 [R6.135 HI-PROFILE DCR 4V]

**Engine serial number:**  
 10891614 10905698 11059377 11101018 11134976 11136333

1	01183278	1	plug H 2875 -B2-OL40-166X4-122X15
---	----------	---	--------------------------------------

000 ©



**Buy Now**



Our support email:

[ebooklibonline@outlook.com](mailto:ebooklibonline@outlook.com)