

FASTENINGS

| Fig. | P/n | QTY | Name |
|------|-----|-----|------|
|------|-----|-----|------|

Notes:
[R6.140 HI-PROFILE DCR 4V]

Engine serial number:
11073919 11077885 11119770

| | | | |
|---|----------|----|---------------------------------------|
| 1 | 01183645 | 12 | screw EN 1662 -F-M8X35-10.9-ZNAL-A |
| 2 | 04504325 | 1 | gasket |
| 3 | 01181406 | 1 | bushing H 2341 -B11X8-FE/ZN12C* |



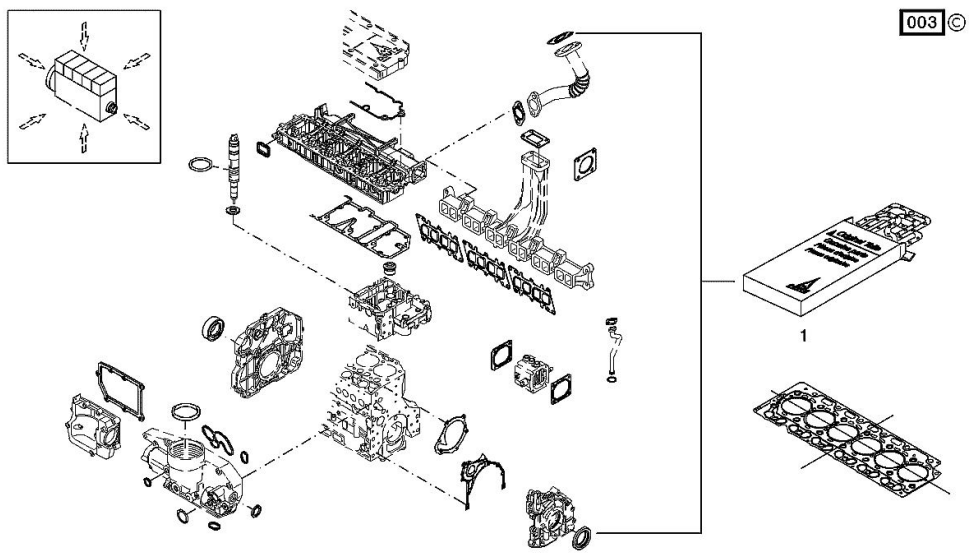
Section: B0 - ENGINE
SERIE GUARNIZIONI

| Fig. | P/n | QTY | Name |
|------|-----|-----|------|
|------|-----|-----|------|

Notes:
 [R6.140 HI-PROFILE DCR 4V]

Engine serial number:
 11073919 11077885 11119770

| | | | |
|---|----------|---|--|
| 1 | 02937590 | 1 | gasket set THE KIT DOES NOT CONTAIN ALL THE GASKETS: SEE SM 0199-99-9449 |
|---|----------|---|--|



CRANKCASE BREATHER

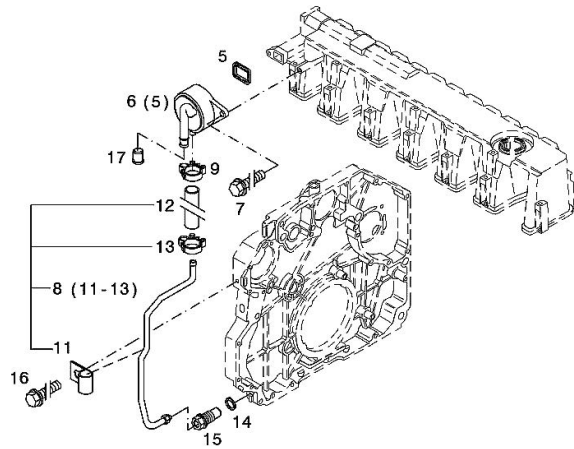
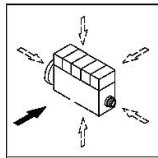
| Fig. | P/n | QTY | Name |
|------|-----|-----|------|
|------|-----|-----|------|

Notes:
[R6.140 HI-PROFILE DCR 4V]

Engine serial number:
11073919 11077885 11119770

| | | | |
|----|----------|---|--|
| 5 | 04298547 | 1 | rubber plug |
| 6 | 04905110 | 1 | breather WITH POS.... (5) |
| 7 | 01181432 | 2 | screw m8x30 EN 1662 -F-M8X30-10.9-ZNAL-A |
| 8 | 04504875 | 1 | tube WITH POS.... 11-13 |
| 9 | 01182878 | 1 | fascia H 3461 -F-13,0/8 |
| 11 | 02144961 | 1 | fascia |
| 12 | 04288505 | 1 | rubber tube H 3407 -F8X14X97-EAM/ARAMID/EAM |
| 13 | 01182878 | 1 | fascia H 3461 -F-13,0/8 |
| 14 | 01118737 | 1 | oil seal 22 x 27 DIN 7603 -A22X27-CU |
| 15 | 04505853 | 1 | pipe union |
| 16 | 01181442 | 1 | screw m6x12 EN 1662 -F-M6X12-10.9-ZNAL-A |
| 17 | 01161302 | 1 | bottom H 2873 -A25,5X22,8X17-PEWEICH |

002 ©



Section: B0 - ENGINE

BLEEDING TUBE

| Fig. | P/n | QTY | Name |
|------|-----|-----|------|
|------|-----|-----|------|

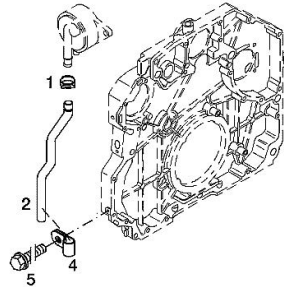
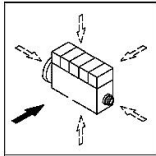
Notes:

[R6.140 HI-PROFILE DCR 4V]

Engine serial number:

11073919 11077885 11119770

| | | | |
|---|----------|---|---|
| 1 | 01178750 | 1 | clamp DIN 3021 -A-29X15 |
| 2 | 04290751 | 1 | tube |
| 4 | 01173523 | 1 | fascia DIN 3016 -1-A1-25X20-W1-2 |
| 5 | 01181433 | 1 | screw EN 1662 -F-M8X20-LG2,5-10.9-ZNAL-A |



CRANKCASE

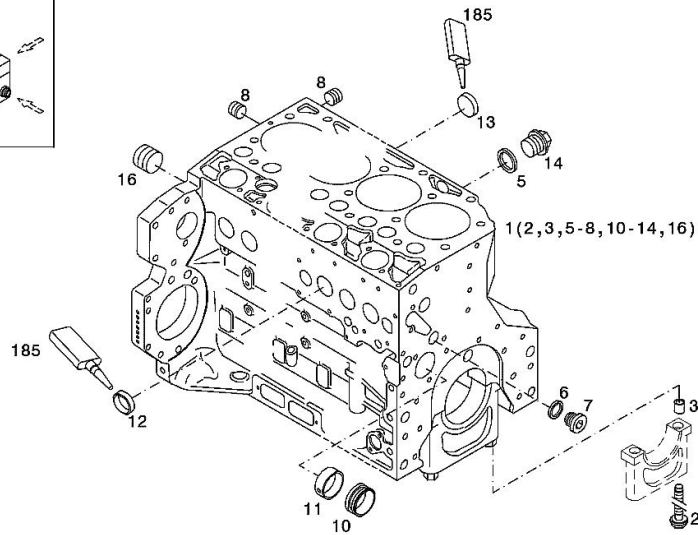
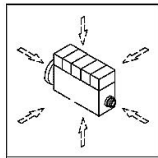
| Fig. | P/n | QTY | Name |
|------|-----|-----|------|
|------|-----|-----|------|

Notes:
[R6.140 HI-PROFILE DCR 4V]

Engine serial number:
11073919 11077885 11119770

| | | | |
|-----|----------|----|--|
| 1 | 04296592 | 1 | crankcase WITH POS.... (2,3,5-8,10-14,16) |
| 2 | 04254240 | 14 | screw |
| 3 | 04160764 | 14 | bushing |
| 5 | 01118693 | 2 | gasket 14x20 DIN 7603 -A14X20-CU |
| 6 | 01101342 | 1 | oil seal DIN 7603 -D22X27-CU |
| 7 | 04292706 | 1 | plug |
| 8 | 01182031 | 2 | screw H 2812 -906-M14X1,5-ST-A3C-LOCTITE506 |
| 10 | 04251884 | 6 | plug |
| 11 | 04250086 | 1 | ring |
| 12 | 01148032 | 9 | cover DIN 443 -A45-ZNPHR |
| 13 | 01148031 | 5 | plug DIN 443 -A36-ZNPHR |
| 14 | 01100940 | 2 | screw DIN 7604 -AM14X1,5-ST-A4C |
| 16 | 04226536 | 1 | bottom |
| 185 | 01016125 | 1 | guard H 0699 -DEUTZDW72-250ML |

000 ©



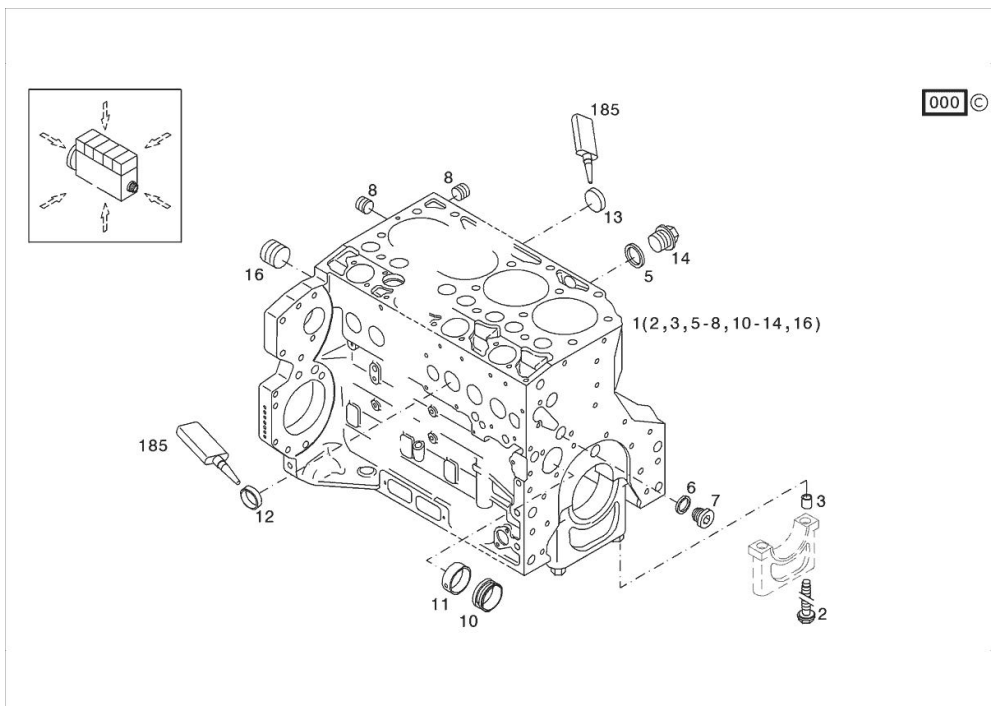
KURBELGEHAEUSE

| Fig. | P/n | QTY | Name |
|------|-----|-----|------|
|------|-----|-----|------|

Notes:

[R6.140 HI-PROFILE DCR 4V]

| | | | |
|-----|----------|----|---|
| 185 | 01319910 | 1 | guard |
| 1 | 04506857 | 1 | crankcase |
| 2 | 04254240 | 14 | screw 50 Nm , 90° , 90° |
| 3 | 04160764 | 14 | bushing |
| 5 | 01118693 | 2 | gasket 14x20 DIN 7603 -A14X20-CU |
| 6 | 01101342 | 1 | oil seal DIN 7603 -D22X27-CU |
| 7 | 04292706 | 1 | plug 80 Nm |
| 8 | 01182031 | 2 | screw 35 Nm H 2812 -906-M14X1,5-ST-A3C-LOCTITE506 |
| 10 | 04251884 | 6 | plug |
| 11 | 04250086 | 1 | ring |
| 12 | 01148032 | 9 | cover DIN 443 -A45-ZNPHR |
| 13 | 01148031 | 5 | plug DIN 443 -A36-ZNPHR |
| 14 | 01100940 | 2 | screw 35 Nm DIN 7604 -AM14X1,5-ST-A4C |
| 16 | 04226536 | 1 | bottom 30 Nm |



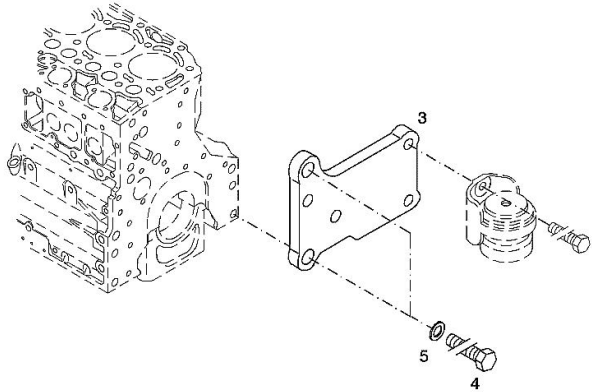
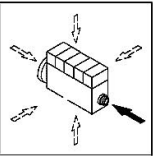
ACCESSORIES

| Fig. | P/n | QTY | Name |
|------|-----|-----|------|
|------|-----|-----|------|

Notes:
 [R6.140 HI-PROFILE DCR 4V]

Engine serial number:
 11073919 11077885 11119770

| | | | |
|---|----------|---|---------------------------------------|
| 3 | 04288659 | 1 | support |
| 4 | 01148261 | 2 | screw ISO 4017 -M16X40-10.9-ZNAL-A |
| 5 | 01181400 | 2 | washer H 2308 -18X25X1,5-A4C |



Buy Now



Our support email:

ebooklibonline@outlook.com