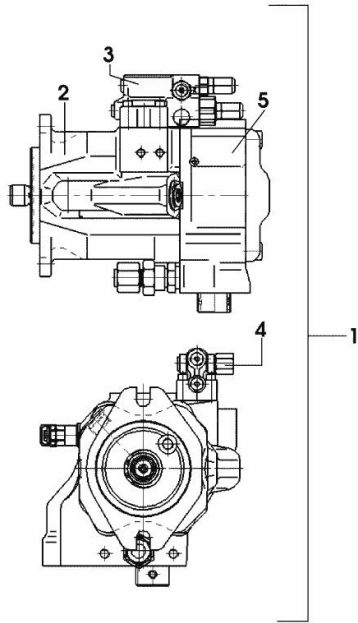


**OIL PUMP**

Fig.	P/n	QTY	Name
1	04432500/10	1	hydraulic pump
2	0.010.3850.1	1	hydraulic pump
3	0.010.2760.0	1	spool valve
4	0.900.1987.0	1	adapter
5	0.010.3851.0	1	plate



04432500/10

**OIL PUMP**

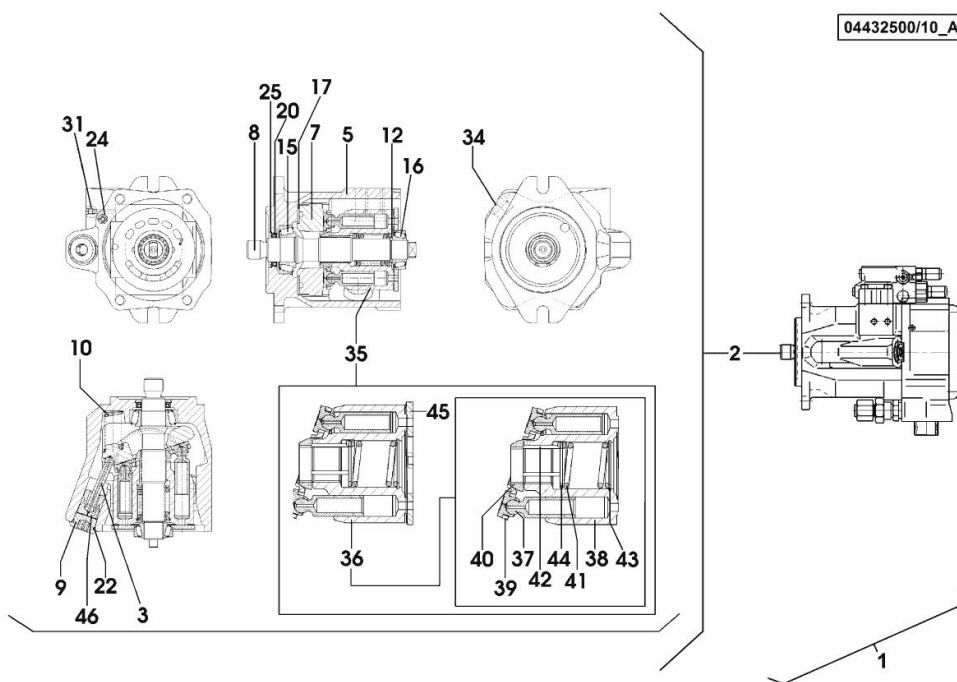
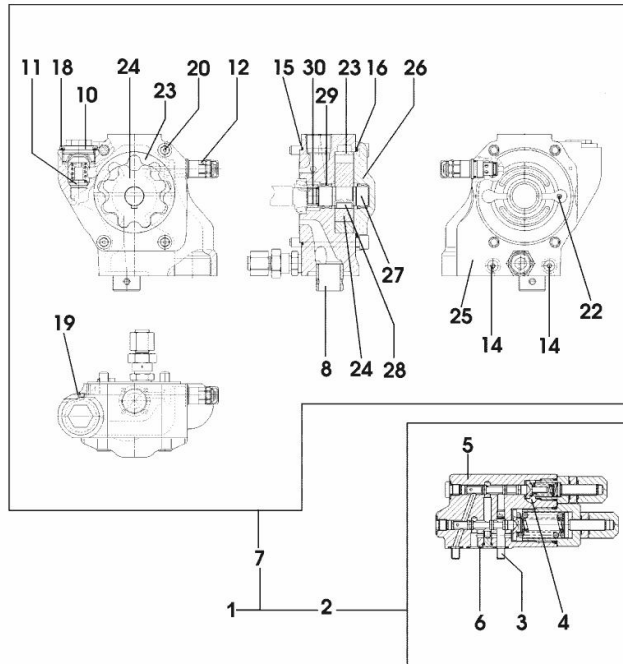


Fig.	P/n	QTY	Name
1	04432500/10	1	hydraulic pump
2	0.010.3850.1	1	hydraulic pump
3	0.010.2765.0	1	piston
5	0.010.3851.1	1	pump
7	0.010.3851.2	1	plate
8	0.010.3852.0	1	shaft
9	0.010.3852.1	1	plug
10	0.010.2766.2	1	spring
12	0.010.2767.0	1	ring
15	0.010.2767.1	1	bearing
16	0.010.2767.2	1	bearing
17	0.010.2768.0	2	plate
20	0.010.2768.1	1	ring
22	0.010.2769.0	1	special oil seal 23.7x2.8
24	0.010.2769.1	1	special oil seal 7.65x1.68
25	0.010.2769.2	1	circlip 40 x 1.75
31	0.010.2770.1	2	plug m 6
34	0.010.2771.0	1	plug 7/8"
35	0.010.3852.2	1	rotor
36	0.010.3853.0	1	rotor
37	0.010.2762.0	9	piston
38	0.010.3853.1	1	cylinder
39	0.010.2762.2	1	plate
40	0.010.2763.0	1	ring
41	0.010.3853.2	1	circlip
42	0.010.2763.2	3	pin
43	0.010.2764.0	1	circlip
44	0.010.2764.1	1	shoulder ring
45	0.010.3854.0	1	plate
46	0.010.2764.2	1	cylinder

**OIL PUMP**

Fig.	P/n	QTY	Name
1	04432500/10	1	hydraulic pump
2	0.010.2760.0	1	spool valve
3	0.010.2760.2	4	screw m 6 x 30
4	0.010.2761.0	1	plug 7/16" - 20"
5	0.010.3854.1	1	valve
6	0.010.2760.1	3	special oil seal
7	0.010.3851.0	1	plate
8	0.010.3854.2	1	sleeve
10	0.010.3855.0	1	plug
11	0.010.3855.1	1	valve
12	0.010.3699.2	1	valve
14	0.010.3855.2	1	plug
15	0.010.2768.2	1	special oil seal 120x2.5
16	0.010.3856.0	1	special oil seal
18	0.010.3856.1	1	special oil seal
19	0.010.3856.2	1	plug
20	0.010.3857.0	4	socket
22	0.010.2770.2	1	grub screw m 6x18
23	0.010.3857.1	1	ring
24	0.010.3857.2	1	ring
25	0.010.3858.0	1	plate
26	0.010.3858.1	1	cover
27	0.010.3858.2	1	shaft
28	0.010.3859.0	1	key
29	0.010.3859.1	2	bushing
30	0.010.3859.2	1	hydraulic PTO clutch



04432500/10\_B

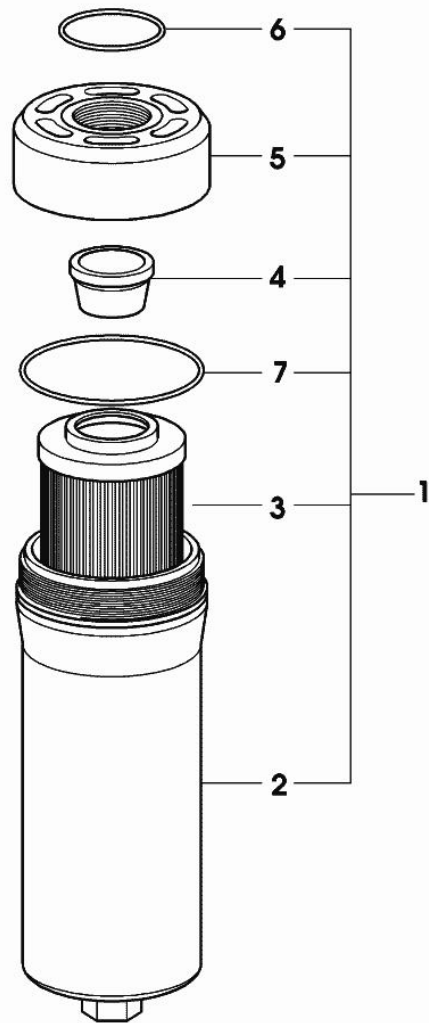
**DETAILS OF OIL FILTER**

Fig.	P/n	QTY	Name
1	04437773.4	1	oil filter
2	04437776	1	filter casing
3	04437774	1	filter
4	04450513	1	nut
5	04437775	1	head
6	04450543	1	oil seal 63x3.5
7	04450759	1	oil seal 94.92 x 2.62

04437773.4

**R6.140 S**

Section: POWER STEERING - HYDRAULIC SYSTEM

Ref: 04450322

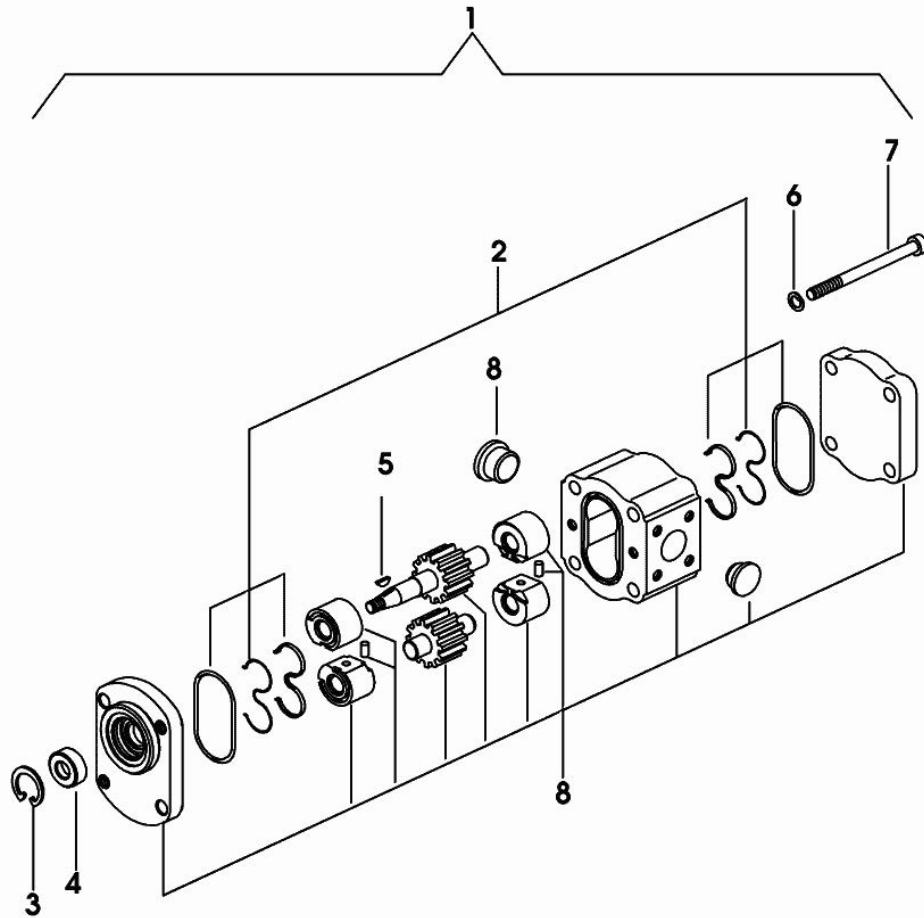
**HYDRAULIC PUMP PARTS**

Fig.	P/n	QTY	Name
1	04450322	1	hydraulic pump 16 ccm
2	01263181	1	gasket set
3	2.1411.012.1	1	circlip 30
4	01300154	1	oil seal 17x30x7/8
5	04417978	1	key 3x5
6	0.010.3145.0	2	spring washer
7	0.010.3548.0	2	screw
8	0.000.0000.1		cannot be supplied

**04450322**

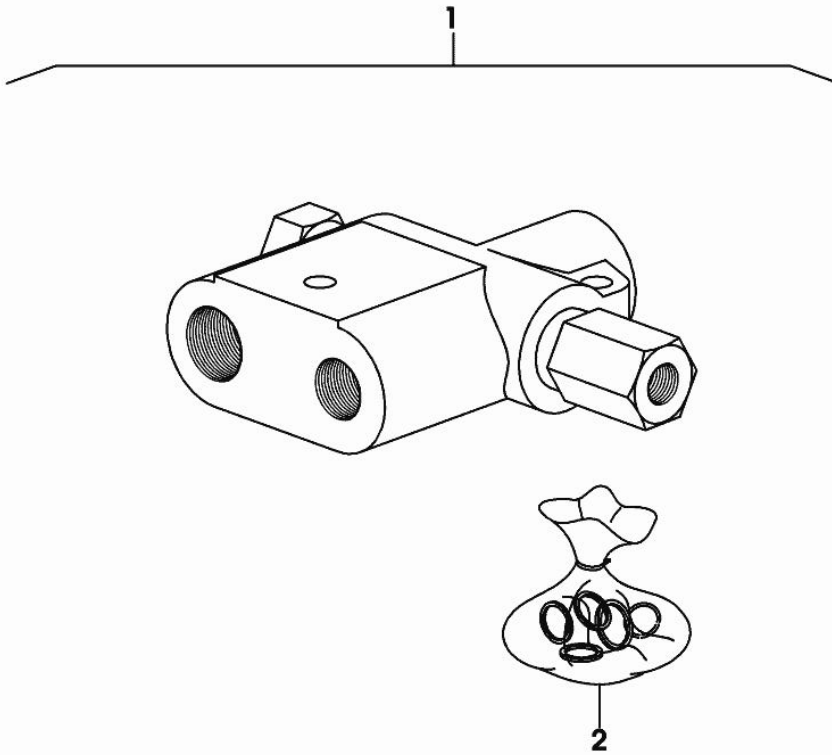
**R6.140 S**

Section: POWER STEERING - HYDRAULIC SYSTEM

Ref: 04450326

**VALVE PARTS**

Fig.	P/n	QTY	Name
1	04450326	1	valve
2	0.010.3914.2	1	seal ring kit



04450326

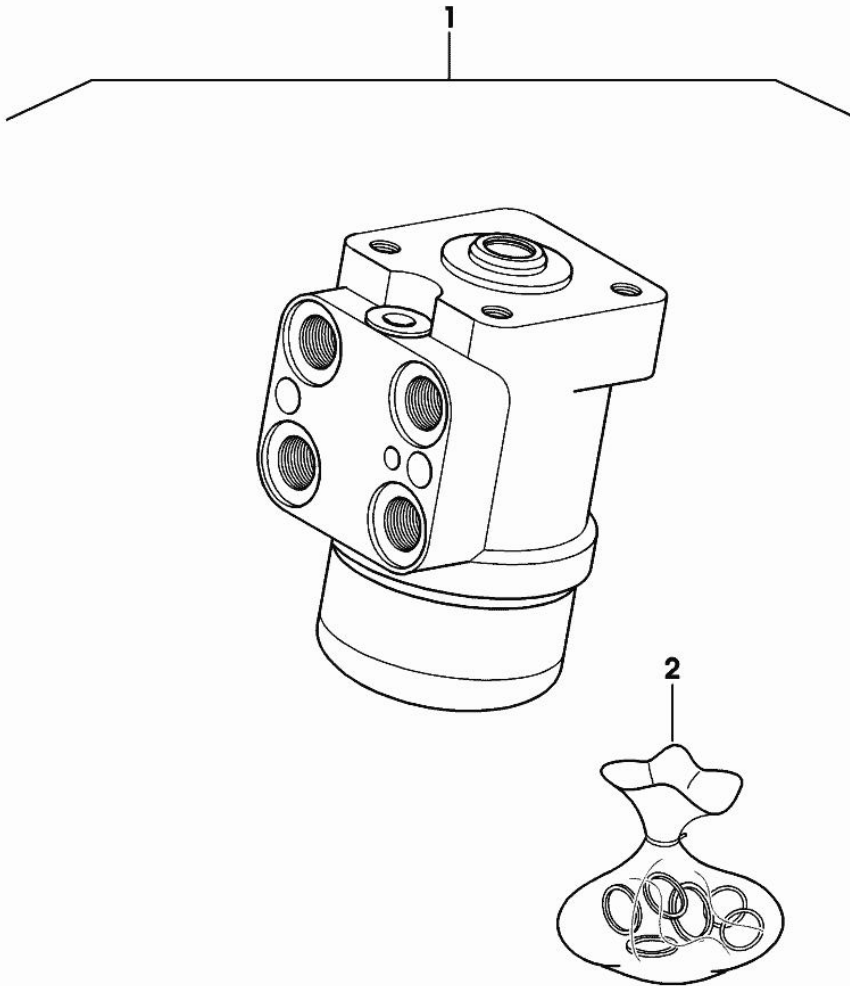
**R6.140 S**

Section: POWER STEERING - HYDRAULIC SYSTEM

Ref: 04450329

**HYDRAULIC STEERING GEAR**

Fig.	P/n	QTY	Name
1	04450329	1	hydrostatic BOSCH LAGU 180/90-12/LDR-175M40-413
2	0.900.0039.4	1	seal ring kit

**04450329**

**Buy Now**



Our support email:

[ebooklibonline@outlook.com](mailto:ebooklibonline@outlook.com)