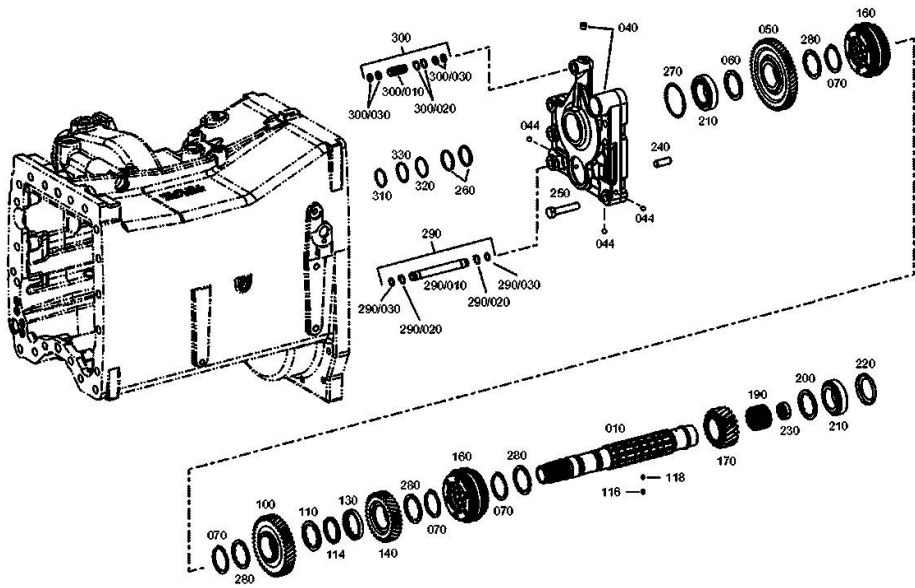


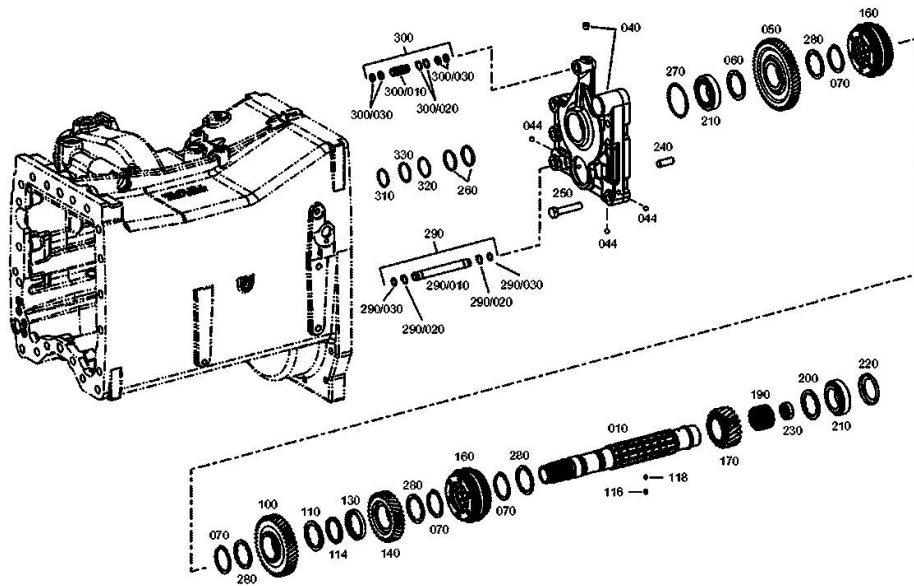
Section: D0 - TRANSMISSION
LAYSHAFT - 2095 011 003

Fig.	P/n	QTY	Name
10	0.900.2230.9	1	shaft
44	04415909	3	ball
50	0.900.2183.3	1	gear
60	04416108	1	shim mm 3.2
70	04416096	4	circlip
100	0.900.0956.1	1	gear
110	04416099	1	shim mm 4.0
114	04416100	1	ring
116	04416101	1	pin 4x8
118	04416102	1	pin 2.5x8
130	04416103	1	shim
140	0.900.2183.4	1	gear
160	0.900.0462.5	2	lock synchronizer
170	0.900.2183.5	1	gear
190	0.900.2223.5	1	needle
200	0.010.3418.0	1	washer mm 3.3
200	0.010.3418.1	1	washer mm 3.4
200	04416108	1	shim mm 3.2
200	04416109	1	shim mm 3.5
210	04416110	2	roller bearing
220	02374320	1	fan
230	04416112	1	bearing
240	04416439	2	cylindrical plug 12x25
250	0.010.3354.2	6	screw m 12 x 60
260	04335064	2	oil seal 34x3
270	04417246	1	shim mm 1.00
270	04417247	1	shim mm 1.05
270	04417248	1	shim mm 1.10
270	04417249	1	shim mm 1.15
270	04417250	1	shim mm 1.20
270	04417251	1	shim mm 1.25
270	04417252	1	shim mm 1.30
270	04417253	1	shim mm 1.35
270	04417254	1	shim mm 1.40
270	04417268	1	shim mm 1.45
270	04417269	1	shim mm 1.50
270	04417270	1	shim mm 1.60
270	04417271	1	shim mm 1.60
270	04419713	1	shim mm 1.65
270	04419714	1	shim mm 1.70
270	04419715	1	shim mm 1.75
270	04419716	1	shim mm 1.80
270	04419717	1	shim mm 1.85
270	04419718	1	shim mm 1.90



Section: D0 - TRANSMISSION
LAYSHAFT - 2095 011 003

Fig.	P/n	QTY	Name
270	04419719	1	shim mm 1.95
270	04419720	1	shim mm 2.00
270	04419721	1	shim mm 2.05
270	04419722	1	shim mm 2.10
270	04419723	1	shim mm 2.15
270	04419724	1	shim mm 2.20
280	0.900.0282.7	4	slewing ring
290	0.010.3437.1	1	flexible hose
290.10	04416629	1	tube
290.20	0.010.3344.1	2	circlip 15x1
290.30	06214801	2	oil seal 12x1.5
300	0.010.3436.1	1	flexible hose
300.10	04431768	1	tube
300.20	0.010.3344.1	2	circlip 15x1
300.30	04419168	4	oil seal 11x2.5
310	0.900.0293.6	1	locking segment
320	04431776	1	ring mm 1.30
330	04416116	1	circlip



MAIN SHAFT - 2095 011 003

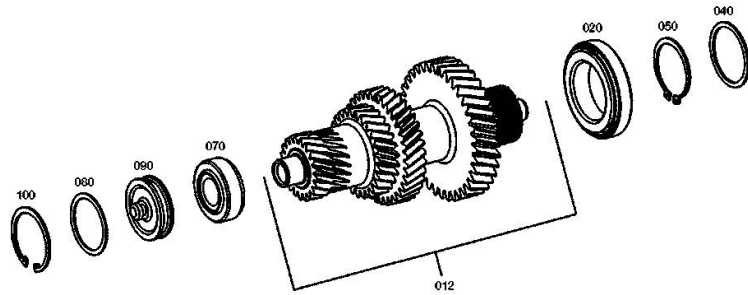
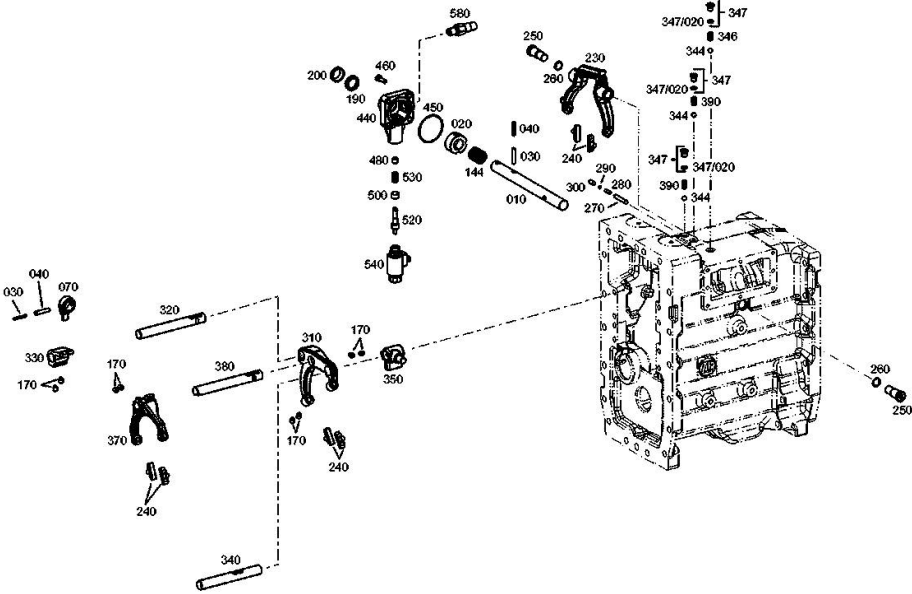


Fig.	P/n	QTY	Name
12	0.900.2183.6	1	main shaft
20	0.900.2246.3	1	bearing
40	04417051	1	washer mm 2.40
40	04417052	1	washer mm 2.45
40	04417053	1	washer mm 2.50
40	04417054	1	washer mm 2.55
40	04417055	1	washer mm 2.60
40	04424430	1	washer mm 2.65
40	04424431	1	washer mm 2.70
50	0.010.3345.2	1	circlip 52x2
70	04368537	1	roller bearing
80	0.010.3395.0	1	small block mm 1.75
80	0.010.3395.1	1	small block mm 1.80
80	0.900.2183.7	1	washer
80	0.900.2183.8	1	washer
80	0.900.2183.9	1	washer
80	04416486	1	shim mm 1.30
80	04416487	1	shim mm 1.35
80	04416488	1	shim mm 1.40
80	04416489	1	shim mm 1.45
80	04416490	1	shim mm 1.50
80	04416491	1	shim mm 1.55
80	04416492	1	shim mm 1.60
80	04416493	1	shim mm 1.65
80	04416494	1	shim mm 1.70
90	04416612	1	ring
100	04416121	1	circlip 57x2

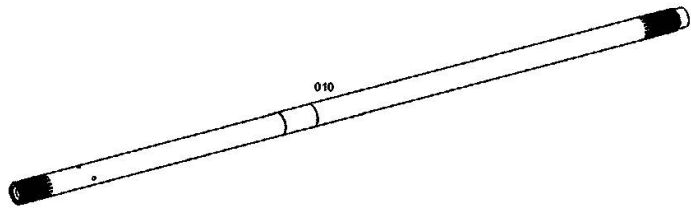
Section: D0 - TRANSMISSION
DRIVE - 2095 011 003

Fig.	P/n	QTY	Name
10	0.900.0285.4	1	shaft
20	0.900.0285.3	1	ring
30	04416371	2	pin
40	04416191	2	pin 5 x 36
70	0.900.0284.8	1	lever
144	0.900.0283.1	1	clip
170	01272647	9	stud bolt L = 13.7
190	04415773	1	oil seal 25x35x7
200	04415774	1	oil seal AS 25x35x7x10
230	0.900.0956.5	1	fork
240	04415779	6	shoe
250	04416145	2	screw
260	0.010.2619.1	2	oil seal 17x2
270	04415787	1	ferrule
280	01299482	1	spring
290	04415788	1	circlip B 7 din 7993
300	04416148	1	ferrule
310	0.900.0956.7	1	fork
320	0.900.1408.7	1	rod
330	04416151	1	control panel
340	0.900.0285.6	1	rod
344	04309268	3	ball
346	01272113	1	spring
347	04433215	3	plug
347.20	04415796	1	oil seal 9.5x2
350	0.900.0285.1	1	driver
370	0.900.0956.4	1	fork
380	0.900.1408.6	1	rod
390	04416041	2	spring
440	0.900.0285.2	1	cover
450	0.900.0279.0	1	ring
460	04434546	2	screw m 8 x 30
480	0.900.1405.2	1	bearing
500	04416443	1	bearing
520	0.900.0286.7	1	interlock
530	0.010.3420.0	1	spring
540	0.010.3343.0	1	electromagnet
580	04416066	1	switch



PTO OUTPUT SHAFT - 2095 011 003

Fig.	P/n	QTY	Name
10	0.900.0066.8	1	transmission shaft



SUPER REDUCTION GEAR UNIT - 2095 011 003

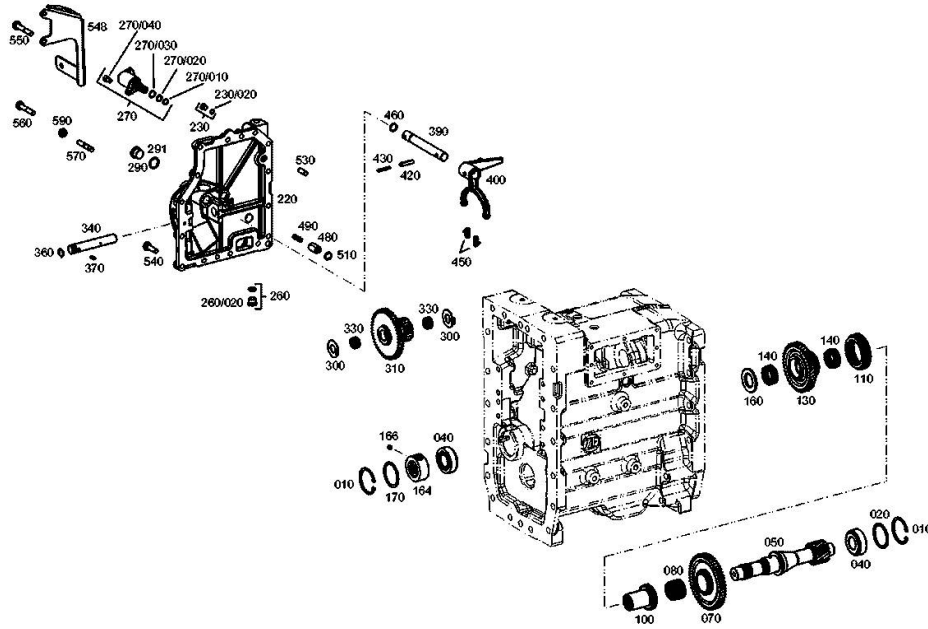


Fig.	P/n	QTY	Name
10	0.010.3346.0	2	circlip 62 x 2
20	04416167	1	shim
40	0.900.0293.9	2	roller bearing
50	0.900.2208.9	1	shaft
70	04416172	1	gear
80	0.900.2223.5	1	needle
100	04416173	1	support
110	04416174	1	sleeve
130	04431646	1	gear z=41 z=25
140	04416176	2	roller cage
160	04416177	1	shim
164	04416178	1	ring
166	04416179	1	pin 8x10
170	0.010.2611.0	1	shim mm 1.72
170	0.010.2611.1	1	shim mm 1.74
170	0.010.2611.2	1	shim mm 1.76
170	0.010.2612.0	1	shim mm 1.78
170	0.010.2612.1	1	shim mm 1.82
170	0.010.2612.2	1	shim mm 1.84
170	0.010.2612.3	1	shim mm 1.86
170	0.010.2613.0	1	shim mm 1.88
170	0.010.2613.1	1	shim mm 1.92
170	0.010.2613.2	1	shim mm 1.94
170	0.010.2613.3	1	shim mm 1.96
170	0.010.2614.0	1	shim mm 1.98
170	0.010.2614.1	1	shim mm 2.02
170	0.010.2614.2	1	shim mm 2.04
170	0.010.2614.3	1	shim mm 2.06
170	0.010.2615.0	1	shim mm 2.08
170	0.010.2615.1	1	shim mm 1.05
170	0.010.2615.2	1	shim mm 1.10
170	0.010.2615.3	1	shim mm 1.15
170	0.900.1279.5	1	shim
170	04416167	1	shim
170	04416454	1	shim mm 1.30
170	04416455	1	shim mm 1.70
170	04416456	1	shim mm 1.90
170	04416457	1	shim mm 2.10
170	04416458	1	shim mm 2.30
170	04416459	1	shim mm 1.20
170	04416460	1	shim mm 1.25
170	04416461	1	shim mm 1.35
170	04416462	1	shim mm 1.40
170	04416463	1	shim mm 1.45

SUPER REDUCTION GEAR UNIT - 2095 011 003

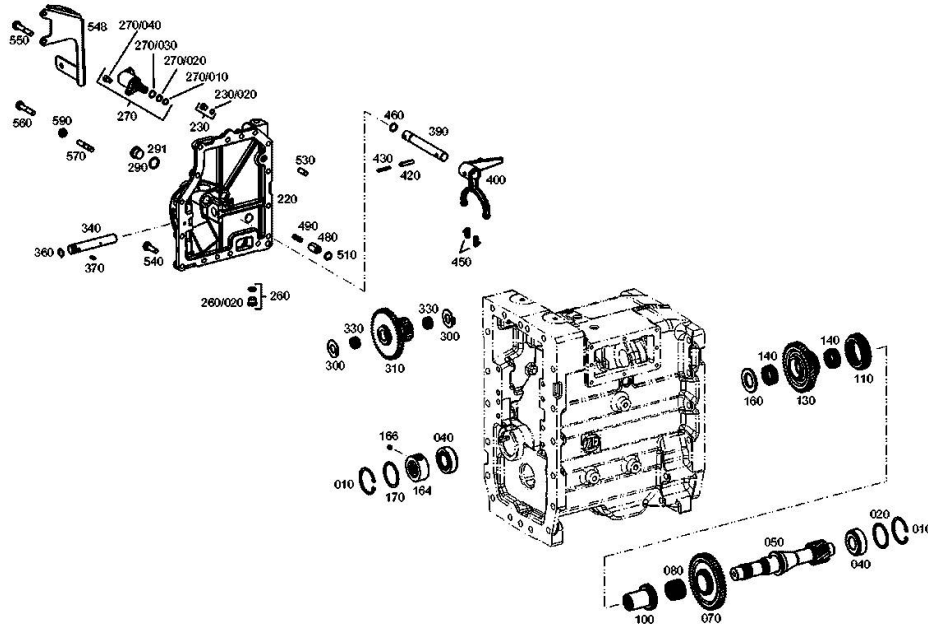


Fig.	P/n	QTY	Name
170	04416471	1	shim mm 1.60
170	04416472	1	shim mm 1.65
170	04416473	1	shim mm 1.75
170	04416474	1	shim mm 1.80
170	04416475	1	shim mm 1.85
170	04416476	1	shim mm 1.95
170	04416477	1	shim mm 2.00
170	04416478	1	shim mm 2.05
170	04416479	1	shim mm 2.15
170	04416480	1	shim mm 2.20
170	04416481	1	shim mm 2.25
170	04416482	1	shim mm 2.35
170	04416483	1	shim mm 2.40
170	04416484	1	shim mm 2.45
170	04416485	1	shim mm 2.50
220	0.900.0957.2	1	cover
230	0.900.2136.4	1	plug
230.20	04415683	1	oil seal 8x1.5
260	04435199	1	screw
260.20	02315162	1	oil seal 13x2
270	0.900.0952.8	1	solenoid valve DV
270.10	0.900.1377.6	1	gasket 13 x 1.5
270.20	0.900.1377.5	1	gasket 12,4 x 1,78
270.30	0.900.1377.7	1	gasket 14x1.78
270.40	0.900.1377.8	1	screw m 8 x 16
290	0.010.2622.3	1	screw m 22 x 1.5
291	01118737	1	oil seal 22 x 27
300	04416185	2	shim
310	0.900.0957.3	1	gear
330	04416187	2	roller cage
340	04416188	1	pin
360	0.010.3351.2	1	oil seal 16x2
370	0.010.3349.2	1	roll pin 6 x 14
390	04416189	1	shaft
400	04416190	1	fork
420	0.010.3348.2	1	roll pin 8x36
430	04416191	1	pin 5 x 36
450	04416192	2	shoe
460	0.900.0290.3	1	ring
480	04416193	1	pin
490	04416194	1	spring
510	0.010.3346.1	1	circlip 18x1
530	0.900.0953.3	2	cylindrical plug
540	04434540	7	screw m 10 x 35

Buy Now



Our support email:

ebooklibonline@outlook.com