

R6.140 T4i VRT

Section: H0 - HYDRAULIC AND PNEUMATIC SYSTEM]

Ref: H0.09.7 (2)

REAR BRAKING SYSTEM

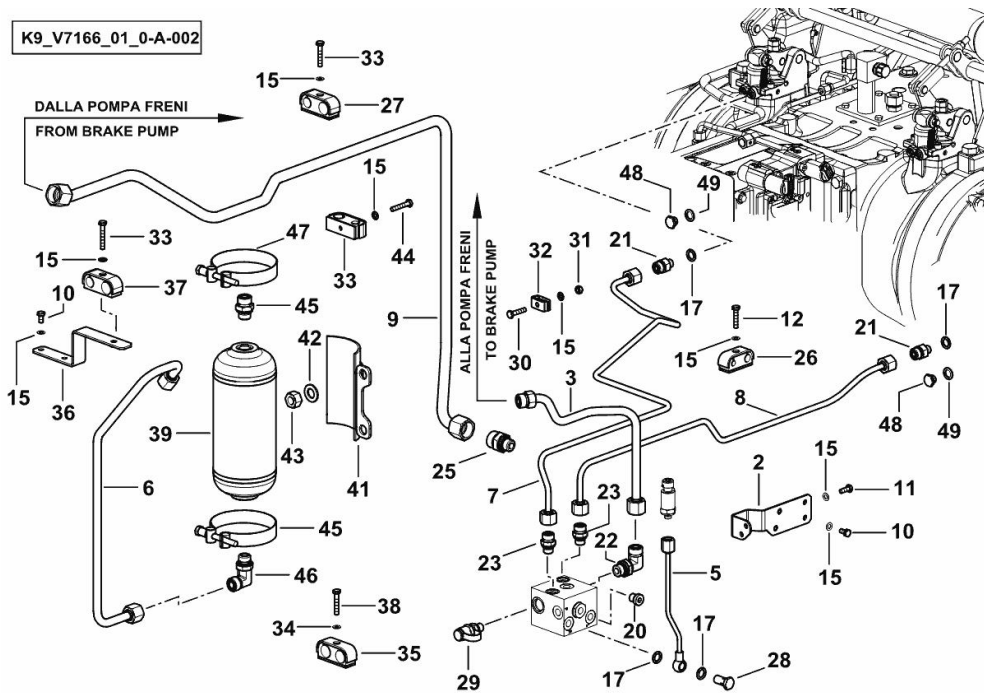


Fig.	P/n	QTY	Name
------	-----	-----	------

Notes:  
[R6.140 T4i VRT]

2	0.020.0666.3	1	bracket
3	0.020.3539.3	1	tube
5	0.018.3407.3/30	1	tube
6	0.019.9320.3	1	tube
7	0.018.3410.3	1	tube dx/rh/re
8	0.018.3411.3	1	tube sx/lh/li
9	0.019.5178.3	1	tube
10	2.0112.003.2	4	screw m 6 p.1 x 12
11	2.0112.005.2	2	screw m 6 p.1 x 16
12	2.0112.011.2	2	screw m 6 p.1x30
15	2.1475.001.7	12	washer 6.4x12
17	2.1560.008.0	4	gasket 12.2 x 18
20	2.3139.024.2	1	plug m 12 p.1.5
21	2.3249.350.2	2	pipe fitting m 12
22	2.3273.209.0	1	pipe fitting m 18 p.1.5 13/16
23	2.3275.005.0	2	pipe fitting m14x1.5
25	2.3275.014.0	1	pipe fitting m 18
26	2.3320.204.0	2	collar Ø 8/12
27	2.3320.218.0	1	terminal Ø 16/20
28	2.3335.005.2	1	pipe union m 12 p.1.5 x 24
29	2.3729.696.0	1	socket
30	2.0112.010.2	1	screw m 6 p.1x30
31	2.1011.103.2	1	nut m 6 p.1
32	2.3329.009.0	1	terminal Ø 6/8
33	2.0112.013.2	3	screw m 6 p.1 x 35
34	2.1310.002.2	1	flat washer 6.4x12.5
35	2.3320.211.0	1	collar Ø 12/12
36	0.019.1425.3	1	bracket
37	2.3320.318.0	1	collar Ø 16/20
38	2.0112.015.2	1	screw m 6 p.1x40
39	0.019.0172.0/20	1	vibration damper WEBER
41	0.020.0240.2	1	bracket
42	2.1475.005.2	2	washer 14
43	2.1011.408.2	2	nut m 14 p.1.5
44	2.3320.213.0	1	collar Ø 12/16
45	0.164.8157.3/20	2	fascia Ø 97
46	2.3273.006.0	1	pipe fitting m 18
47	2.3272.009.0	1	pipe fitting m 18/12
48	04387074	2	plug
49	2.1560.008.0	2	gasket 12.2 x 18



**R6.140 T4i VRT**

Section: H0 - HYDRAULIC AND PNEUMATIC SYSTEM|

Ref: H0.09.10 (1)

**REAR BRAKING SYSTEM**

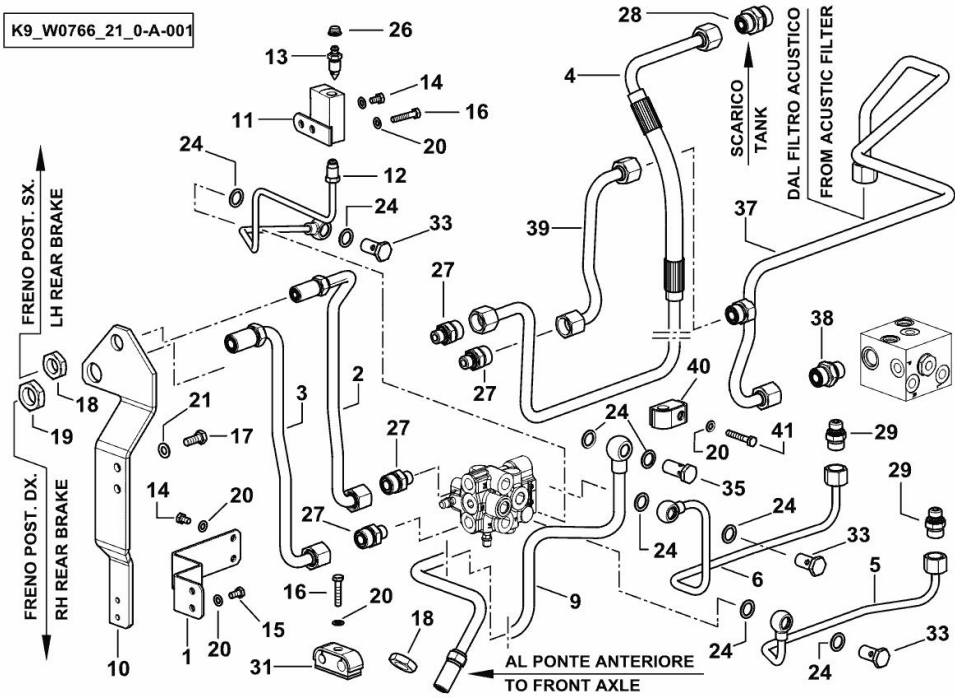


Fig.	P/n	QTY	Name
------	-----	-----	------

**Notes:**

- FOR TYPES WITH FRONT BRAKES [R6.140 T4i VRT]

1	0.018.4114.0	1	bracket
2	0.018.4115.3/10	1	tube
3	0.018.4116.3	1	tube
4	0.020.0647.3	1	tube
5	0.018.4135.3	1	tube
6	0.018.4136.3	1	tube
9	0.020.2680.3	1	tube
10	0.019.4235.0	1	bracket
11	0.019.4260.3	1	small block
12	0.019.4264.3	1	tube
13	0.170.5455.0	1	valve
14	2.0112.002.2	3	screw m 6 p.1 x 10
15	2.0112.003.2	2	screw m 6 p.1 x 12
16	2.0112.011.2	3	screw m 6 p.1x30
17	2.0112.207.2	2	screw m 8 p 1.25 x 20
18	2.1019.169.2	2	nut 11/16 "-16 UN-2B
19	2.1019.170.2	1	nut 13/16 "-16 UN-2B
20	2.1475.001.7	9	washer 6.4x12
21	2.1475.002.2	2	conical washer 8
24	2.1560.010.0	8	gasket 14.2 x 20
26	2.3199.039.0	1	plug
27	2.3249.313.2	4	pipe fitting m 14 p.1.5-13/16
28	2.3249.488.2	1	pipe fitting m 22 p.1.5
29	2.3275.005.0	2	pipe fitting m14x1.5
31	2.3320.207.0	2	clamp Ø 10/12
33	2.3335.006.2	3	pipe union m 14 p.1.5X26
35	2.3335.053.2	1	pipe union m 14 p.1.5x32
37	0.020.0632.3	1	tube
38	2.3275.011.0	1	pipe fitting m 18
39	0.020.0629.3	1	tube
40	2.3320.104.0	1	collar Ø 12
41	2.0112.013.2	1	screw m 6 p.1 x 35

**R6.140 T4i VRT**

Section: H0 - HYDRAULIC AND PNEUMATIC SYSTEM|

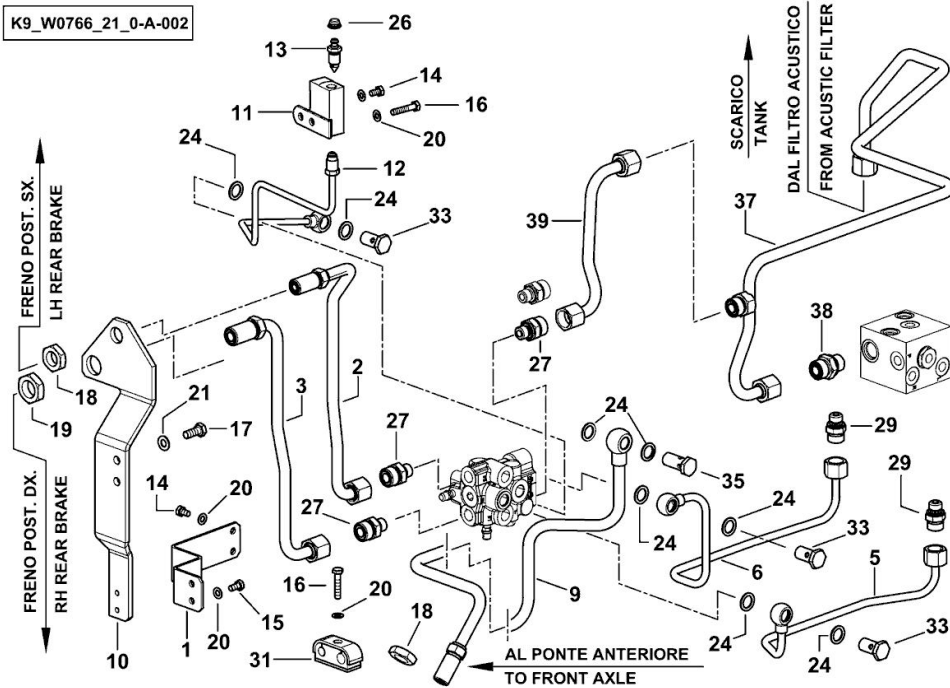
Ref: H0.09.10 (2)

**REAR BRAKING SYSTEM**

Fig.	P/n	QTY	Name
------	-----	-----	------

**Notes:**

- FOR TYPES WITH FRONT BRAKES [R6.140 T4i VRT]



1	0.018.4114.0	1	bracket
2	0.018.4115.3/10	1	tube
3	0.018.4116.3	1	tube
5	0.018.4135.3	1	tube
6	0.018.4136.3	1	tube
9	0.020.2680.3	1	tube
10	0.019.4235.0	1	bracket
11	0.019.4260.3	1	small block
12	0.019.4264.3	1	tube
13	0.170.5455.0	1	valve
14	2.0112.002.2	3	screw m 6 p.1 x 10
15	2.0112.003.2	2	screw m 6 p.1 x 12
16	2.0112.011.2	5	screw m 6 p.1x30
17	2.0112.207.2	2	screw m 8 p 1.25 x 20
18	2.1019.169.2	2	nut 11/16 "-16 UN-2B
19	2.1019.170.2	1	nut 13/16 "-16 UN-2B
20	2.1475.001.7	12	washer 6.4x12
21	2.1475.002.2	2	conical washer 8
24	2.1560.010.0	8	gasket 14.2 x 20
26	2.3199.039.0	1	plug
27	2.3249.313.2	4	pipe fitting m 14 p.1.5-13/16
29	2.3275.005.0	2	pipe fitting m14x1.5
31	2.3320.207.0	2	clamp Ø 10/12
33	2.3335.006.2	3	pipe union m 14 p.1.5X26
35	2.3335.053.2	1	pipe union m 14 p.1.5x32
37	0.020.0632.3	1	tube
38	2.3275.011.0	1	pipe fitting m 18
39	0.020.0629.3	1	tube

**R6.140 T4i VRT**

Section: H0 - HYDRAULIC AND PNEUMATIC SYSTEM|

Ref: H0.09.12 (1)

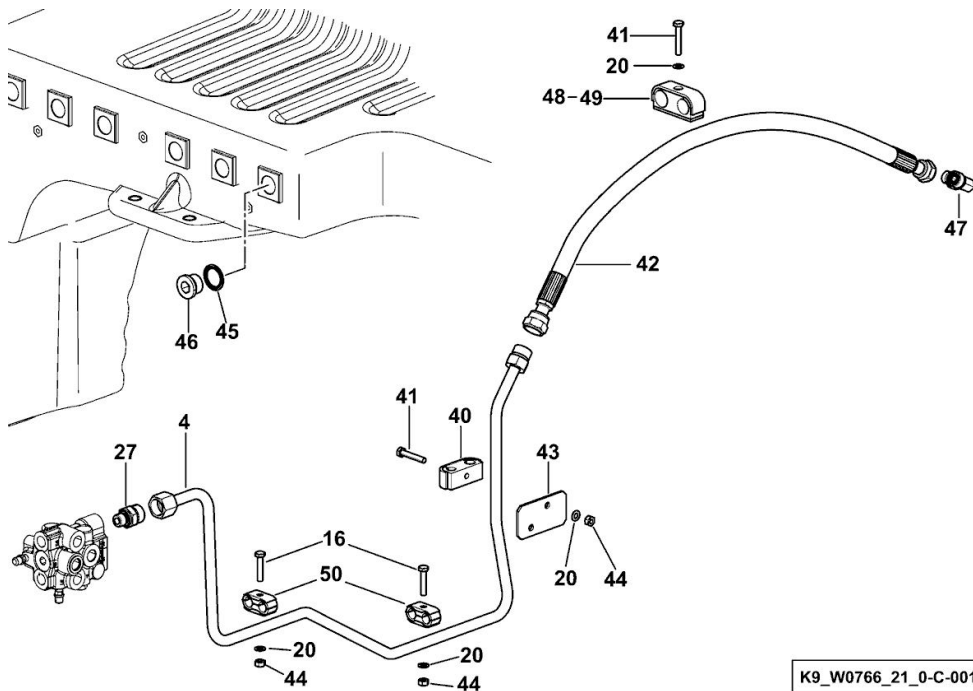
**REAR BRAKING SYSTEM**

Fig.	P/n	QTY	Name
------	-----	-----	------

**Notes:**

- FOR TYPES WITH FRONT BRAKES [R6.140 T4i VRT]

4	0.021.6018.3	1	tube
16	2.0112.011.2	5	screw m 6 p.1x30
20	2.1475.001.7	12	washer 6.4x12
27	2.3249.313.2	4	pipe fitting m 14 p.1.5-13/16
40	2.3320.307.0	1	collar Ø 10/12
41	2.0112.013.2	2	screw m 6 p.1 x 35
42	0.018.3525.3	1	tube
43	0.021.6526.0	1	bracket
44	2.1011.103.2	3	nut m 6 p.1
45	2.1561.112.0	1	gasket Ø 22 -B-
46	2.3120.002.4	1	plug m 22 x 1.5
47	2.3273.003.0	1	pipe fitting
			- FOR VERSIONS WITH SUSPENDED AXLE OR FRONT LIFT
48	2.3320.217.0	1	collar Ø 16/18
			- FOR TYPES WITHOUT SUSPENDED AXLE AND WITHOUT FRONT LIFT
49	2.3320.220.0	1	terminal Ø 18/20 - typ A
50	2.3321.010.0	2	collar Ø 12/12



K9\_W0766\_21\_0-C-001

**R6.140 T4i VRT**

Section: H0 - HYDRAULIC AND PNEUMATIC SYSTEM|

Ref: H0.09.13 (1)

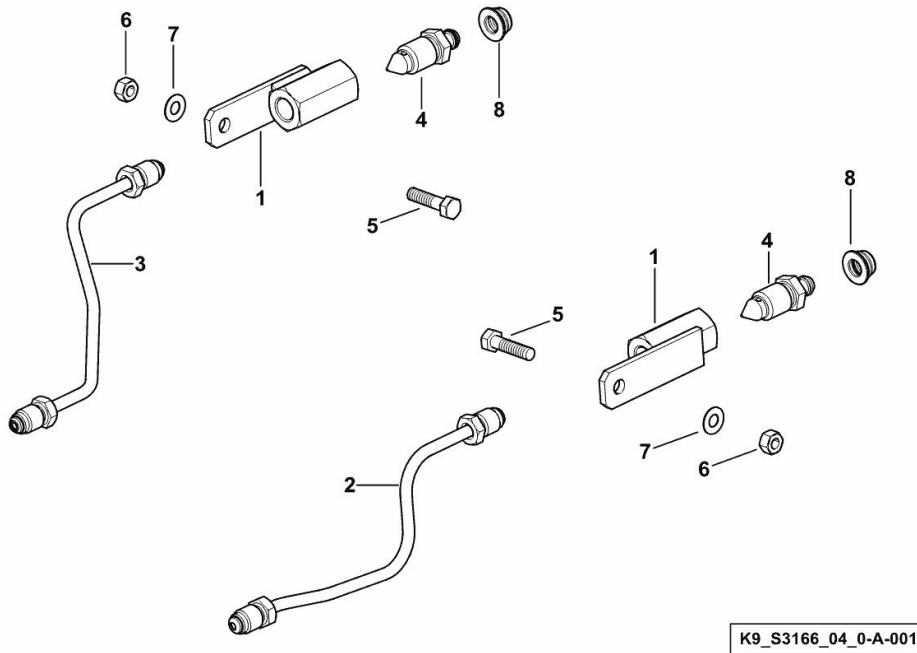
**REAR BRAKES BLEED PIPES**

Fig.	P/n	QTY	Name
------	-----	-----	------

**Notes:**

[R6.140 T4i VRT]

1	0.019.2223.3	2	small column
2	0.019.2242.3	1	tube sx/lh/li
3	0.019.2267.3/10	1	tube dx/rh/re
4	0.170.5455.0	2	valve
5	2.0114.107.2	2	screw m 5 x 20, d933
6	2.1011.102.2	2	nut m 5 p.0.7
7	2.1481.054.2	2	washer
8	2.3199.039.0	2	plug



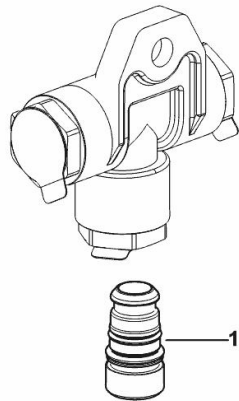
**PLUG**

Fig.	P/n	QTY	Name
------	-----	-----	------

**Notes:**

- FOR TYPES WITH AIR TRAILER BRAKING ( ITALY ) [R6.140 T4i VRT]

1	2.3249.672.0	1	plug NG12
---	--------------	---	-----------



K9\_U4789\_28\_0-A-001

**Buy Now**



Our support email:

[ebooklibonline@outlook.com](mailto:ebooklibonline@outlook.com)