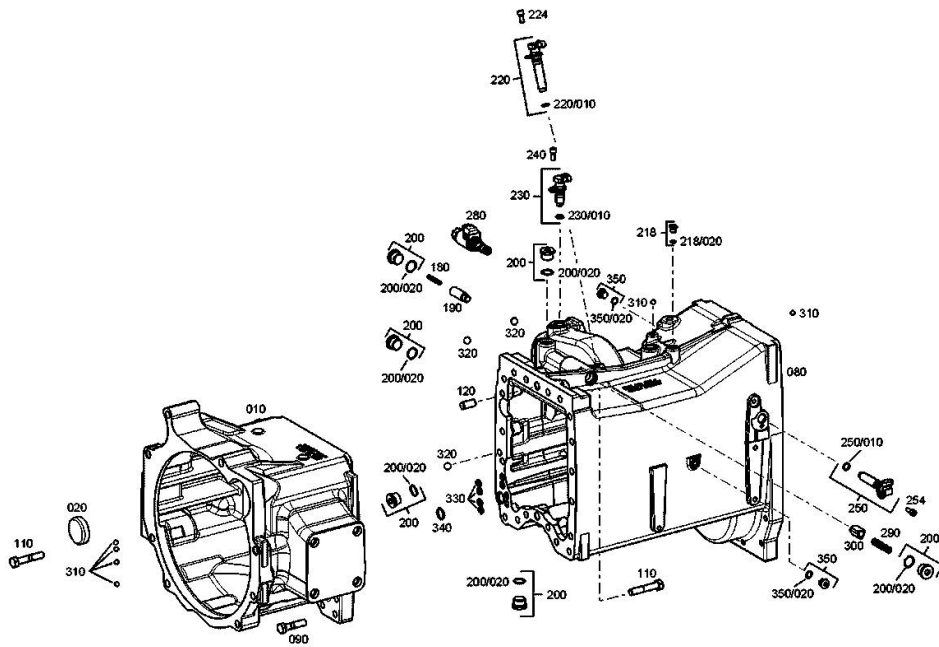


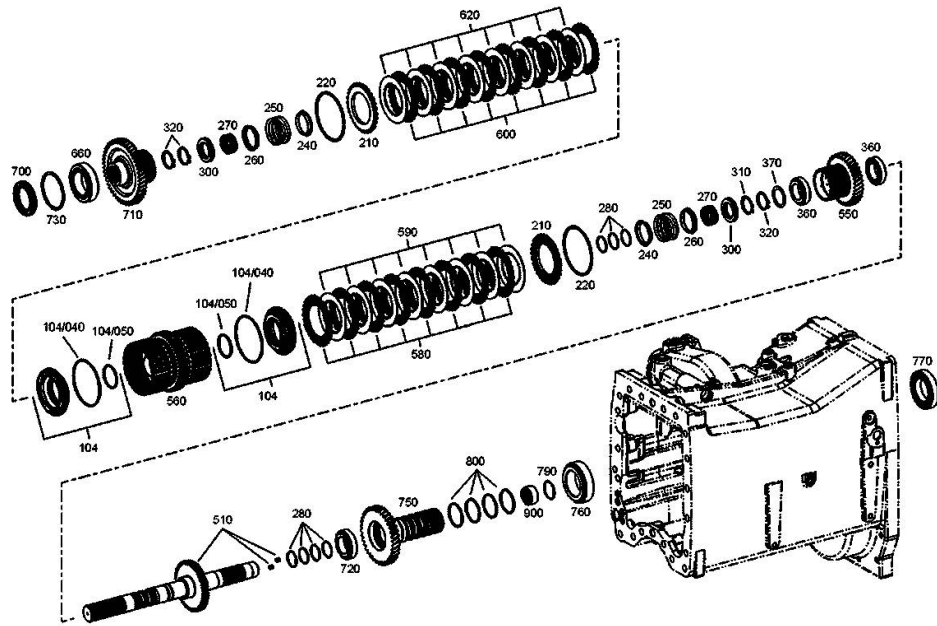
Section: D0 - TRANSMISSION
GEARBOX - 2095 011 003

Fig.	P/n	QTY	Name
10	0.900.2186.6	1	box
20	01138947	1	cover
80	0.900.2186.7	1	box
90	0.010.2887.1	7	screw m 14 x 60
110	0.900.2186.8	12	screw
120	04416090	2	cylindrical plug 16 m 6x30
180	04415972	1	spring
190	04415971	1	small piston
200	04434341	6	plug
200.20	04436328	1	oil seal 23x2
218	04433215	1	plug
218.20	04415796	1	oil seal 9.5x2
220	04438438	1	position sensor L = 83,2mm
220.10	04417747	1	oil seal 15.54x2.62
224	04434551	1	screw m 8 p.1.25 x 20
230	0.010.2874.2	1	speed sensor
230.10	04417747	1	oil seal 15.54x2.62
240	04434551	1	screw m 8 p.1.25 x 20
250	04438438	1	position sensor L = 83,2mm
250.10	04417747	1	oil seal 15.54x2.62
254	04434551	1	screw m 8 p.1.25 x 20
280	0.900.2094.5	1	solenoid valve
290	04415955	1	spring
300	0.900.0489.2	1	cone
310	04309268	6	ball
320	04416962	3	ball
330	01160038	4	oil seal
340	0.900.2186.9	1	ring
350	04435199	2	screw
350.20	02315162	1	oil seal 13x2



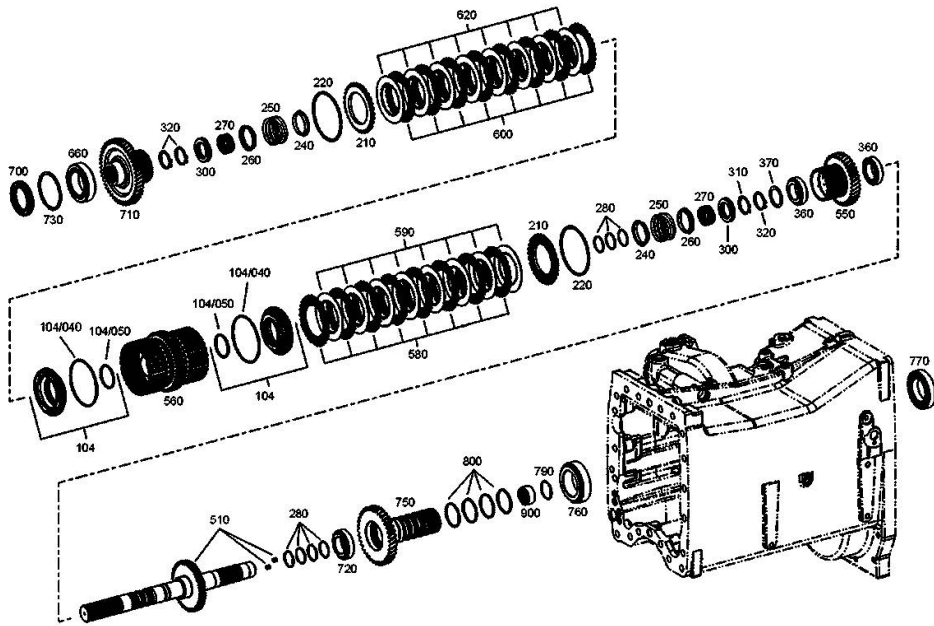
Section: D0 - TRANSMISSION
SPLITTER - 2095 011 003

Fig.	P/n	QTY	Name
104	04431746	4	piston
104.40	04419762	1	oil seal 104x3
104.50	04419763	1	oil seal 50x3
210	04416763	4	disc
220	0.900.0801.9	1	circlip A=2,75
220	0.900.0802.0	1	circlip A=3,25
220	0.900.0802.1	1	circlip A=2,25
220	04416765	1	circlip A = 2.0
220	04416766	1	circlip A = 2.5
220	04416767	1	circlip A = 3.0
220	04416768	1	circlip A = 3.5
240	04416758	4	ring
250	04416759	4	spring
260	04416954	4	ring
270	04416955	4	roller cage
280	04416956	10	ring 38/35.2x2
300	04416957	4	bearing
310	04416951	2	circlip
320	0.010.3347.1	5	circlip 38x2.5
360	04416950	4	bearing
370	0.010.2886.0	1	washer mm 1.175
370	0.010.2886.1	1	washer mm 1.15
370	0.900.2137.0	1	washer mm 1.025
370	0.900.2137.1	1	washer mm 1.075
370	0.900.2137.2	1	washer mm 1.125
370	04416969	1	ring mm 1.5
370	04417016	1	washer mm 1.2
370	04417017	1	washer mm 1.25
370	04417018	1	washer mm 1.30
370	04417019	1	washer mm 1.35
370	04417020	1	washer mm 1.4
370	04417021	1	washer mm 1.45
370	04417023	1	washer mm 1.55
370	04417024	1	washer mm 1.60
370	04417025	1	washer mm 1.65
370	04417026	1	washer mm 1.7
370	04417027	1	washer mm 1.75
370	04417028	1	washer mm 1.80
370	04417029	1	shim mm 1.225
370	04417030	1	shim mm 1.275
370	04417031	1	shim mm 1.325
370	04417032	1	shim mm 1.375
370	04417033	1	shim mm 1.425
370	04417034	1	shim mm 1.475



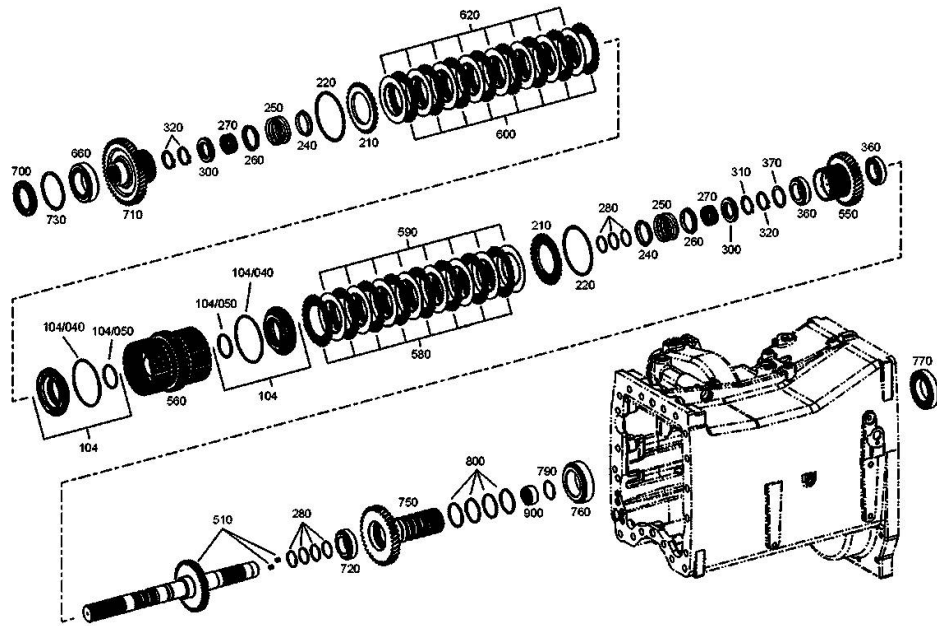
Section: D0 - TRANSMISSION
SPLITTER - 2095 011 003

Fig.	P/n	QTY	Name
370	04417035	1	shim mm 1.525
370	04417036	1	shim mm 1.575
370	04417037	1	shim mm 1.625
370	04417038	1	shim mm 1.675
370	04417039	1	shim mm 1.725
370	04417040	1	shim mm 1.775
510	0.900.2187.7	1	ring
550	0.900.0955.6	1	gear wheel
560	0.900.0954.4	1	plate carrier
580	04416760	8	clutch plate AV 35
590	04416967	8	clutch plate
600	04416760	8	clutch plate AV 35
620	04416967	8	clutch plate
660	0.010.3256.1	1	roller bearing
700	04416975	1	oil seal
710	0.900.0885.0	1	gear z=47
720	04416110	1	roller bearing
730	0.900.0974.5	1	shim S = 2.00
730	0.900.0974.6	1	shim s = 2.05
730	0.900.0974.7	1	shim s = 2.10
730	0.900.0974.8	1	shim s = 2.15
730	0.900.0974.9	1	shim s = 2.20
730	0.900.0975.0	1	shim s = 2.25
730	0.900.0975.1	1	shim s = 2.30
730	0.900.0975.2	1	washer
730	0.900.0975.3	1	washer
730	0.900.0975.4	1	shim
730	0.900.0975.5	1	shim
730	0.900.0975.6	1	shim
730	0.900.0975.7	1	shim
730	0.900.0975.8	1	shim
730	0.900.0975.9	1	shim
730	0.900.0976.0	1	shim
730	0.900.0976.1	1	shim
730	0.900.0978.1	1	washer
730	0.900.0978.2	1	washer
730	0.900.2188.2	1	shim S=2.95
730	0.900.2188.3	1	shim S=3,00
730	0.900.2188.4	1	shim A=1,90
730	0.900.2188.5	1	shim A=1,950
730	0.900.2188.6	1	shim h=2,68
730	0.900.2188.7	1	shim h=2,730
730	0.900.2188.8	1	shim h=2,780
730	0.900.2188.9	1	shim h=2,830



SPLITTER - 2095 011 003

Fig.	P/n	QTY	Name
730	0.900.2189.0	1	shim h=2,880
730	0.900.2189.1	1	shim S=3.10
750	0.900.2187.8	1	shaft
760	0.900.2188.0	1	bearing
770	0.900.2188.1	1	bearing
790	0.900.1246.2	1	circlip
800	0.900.0293.5	4	oil seal
900	0.900.2187.9	1	bush



Section: D0 - TRANSMISSION
SPLITTER - 2095 011 003

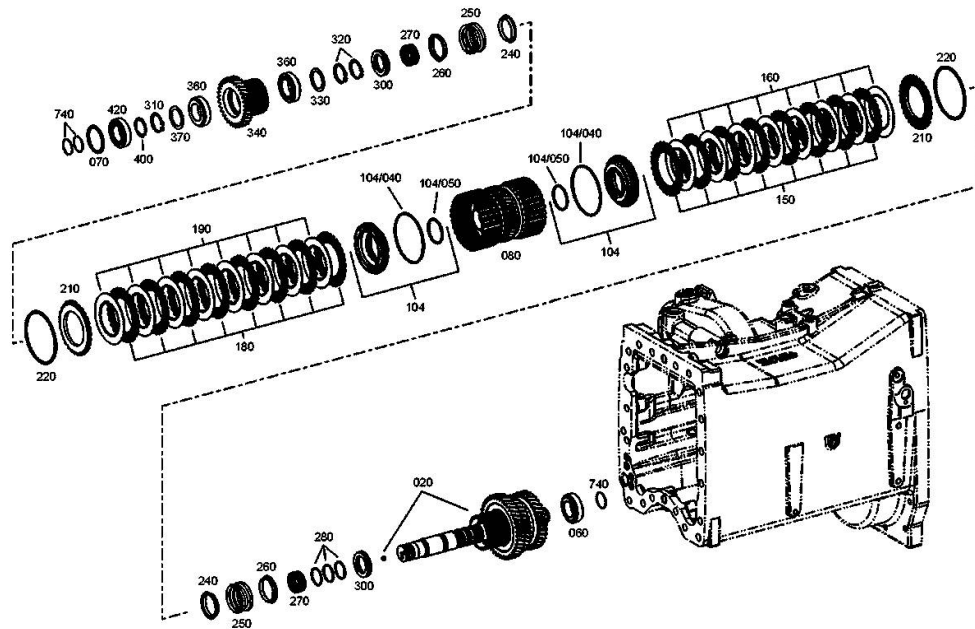


Fig.	P/n	QTY	Name
20	0.900.2187.6	1	shaft
60	04415988	1	bearing
70	04417051	1	washer mm 2.40
70	04417052	1	washer mm 2.45
70	04417053	1	washer mm 2.50
70	04417054	1	washer mm 2.55
70	04417055	1	washer mm 2.60
70	04424430	1	washer mm 2.65
70	04424431	1	washer mm 2.70
80	0.900.0954.5	1	carrier
104	04431746	4	piston
104.40	04419762	1	oil seal 104x3
104.50	04419763	1	oil seal 50x3
150	04416760	8	clutch plate AV 35
160	04416967	8	clutch plate
180	04416760	8	clutch plate AV 35
190	04416967	8	clutch plate
210	04416763	4	disc
220	0.900.0801.9	1	circlip A=2,75
220	0.900.0802.0	1	circlip A=3,25
220	0.900.0802.1	1	circlip A=2,25
220	04416765	1	circlip A = 2.0
220	04416766	1	circlip A = 2.5
220	04416767	1	circlip A = 3.0
220	04416768	1	circlip A = 3.5
240	04416758	4	ring
250	04416759	4	spring
260	04416954	4	ring
270	04416955	4	roller cage
280	04416956	10	ring 38/35.2x2
300	04416957	4	bearing
310	04416951	2	circlip
320	0.010.3347.1	5	circlip 38x2.5
330	04416969	1	ring mm 1.5
340	0.900.0955.5	1	gear
360	04416950	4	bearing
370	0.010.2886.0	1	washer mm 1.175
370	0.010.2886.1	1	washer mm 1.15
370	0.900.2137.0	1	washer mm 1.025
370	0.900.2137.1	1	washer mm 1.075
370	0.900.2137.2	1	washer mm 1.125
370	04416969	1	ring mm 1.5
370	04417016	1	washer mm 1.2
370	04417017	1	washer mm 1.25

Section: D0 - TRANSMISSION
SPLITTER - 2095 011 003

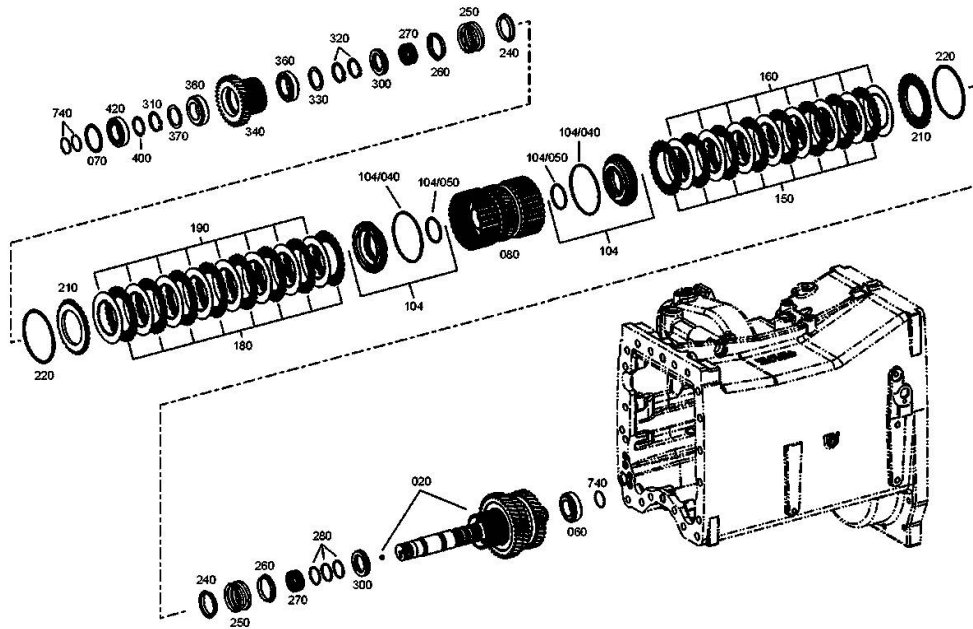
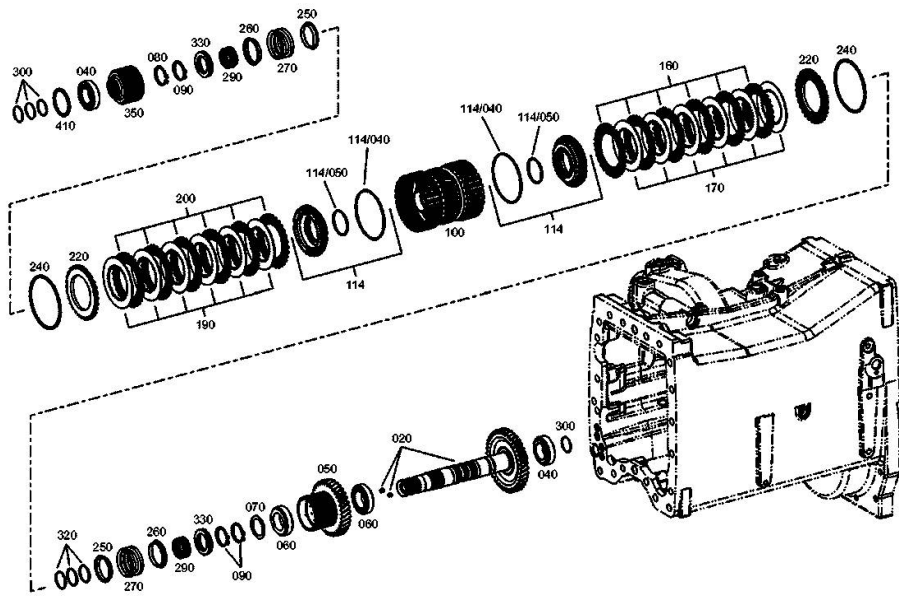


Fig.	P/n	QTY	Name
370	04417018	1	washer mm 1.30
370	04417019	1	washer mm 1.35
370	04417020	1	washer mm 1.4
370	04417021	1	washer mm 1.45
370	04417023	1	washer mm 1.55
370	04417024	1	washer mm 1.60
370	04417025	1	washer mm 1.65
370	04417026	1	washer mm 1.7
370	04417027	1	washer mm 1.75
370	04417028	1	washer mm 1.80
370	04417029	1	shim mm 1.225
370	04417030	1	shim mm 1.275
370	04417031	1	shim mm 1.325
370	04417032	1	shim mm 1.375
370	04417033	1	shim mm 1.425
370	04417034	1	shim mm 1.475
370	04417035	1	shim mm 1.525
370	04417036	1	shim mm 1.575
370	04417037	1	shim mm 1.625
370	04417038	1	shim mm 1.675
370	04417039	1	shim mm 1.725
370	04417040	1	shim mm 1.775
400	04416762	1	disc
420	04415988	1	bearing
740	04415761	3	ring 35x2

Section: D0 - TRANSMISSION
POWER SHIFT - 2095 011 003

Fig.	P/n	QTY	Name
20	0.900.2187.2	1	shaft
40	04415988	2	bearing
50	0.900.0955.6	1	gear wheel
60	04416950	2	bearing
70	0.010.2886.0	1	washer mm 1.175
70	0.010.2886.1	1	washer mm 1.15
70	0.900.2137.0	1	washer mm 1.025
70	0.900.2137.1	1	washer mm 1.075
70	0.900.2137.2	1	washer mm 1.125
70	04416969	1	ring mm 1.5
70	04417016	1	washer mm 1.2
70	04417017	1	washer mm 1.25
70	04417018	1	washer mm 1.30
70	04417019	1	washer mm 1.35
70	04417020	1	washer mm 1.4
70	04417021	1	washer mm 1.45
70	04417023	1	washer mm 1.55
70	04417024	1	washer mm 1.60
70	04417025	1	washer mm 1.65
70	04417026	1	washer mm 1.7
70	04417027	1	washer mm 1.75
70	04417028	1	washer mm 1.80
70	04417029	1	shim mm 1.225
70	04417030	1	shim mm 1.275
70	04417031	1	shim mm 1.325
70	04417032	1	shim mm 1.375
70	04417033	1	shim mm 1.425
70	04417034	1	shim mm 1.475
70	04417035	1	shim mm 1.525
70	04417036	1	shim mm 1.575
70	04417037	1	shim mm 1.625
70	04417038	1	shim mm 1.675
70	04417039	1	shim mm 1.725
70	04417040	1	shim mm 1.775
80	04416951	1	circlip
90	0.010.3347.1	3	circlip 38x2.5
100	0.900.0954.3	1	support
114	04431746	2	piston
114.40	04419762	1	oil seal 104x3
114.50	04419763	1	oil seal 50x3
160	04416760	8	clutch plate AV 35
170	04416967	8	clutch plate
190	04416967	8	clutch plate
200	04416760	8	clutch plate AV 35



Buy Now



Our support email:

ebooklibonline@outlook.com