

**R6.140.4 T4i VRT**

Section: H0 - HYDRAULIC AND PNEUMATIC SYSTEM|

Ref: H0.01.25 (1)

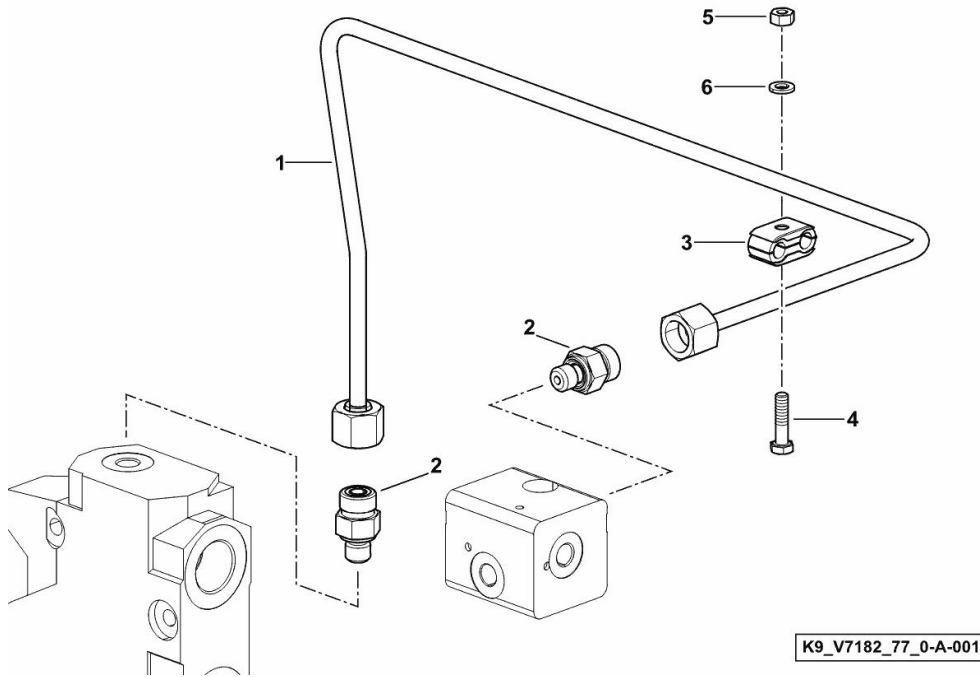
**LOAD SENSING SIGNAL KIT**

Fig.	P/n	QTY	Name
------	-----	-----	------

**Notes:**

[R6.140.4 T4i VRT]

1	0.020.0676.3	1	tube
2	2.3272.005.0	2	pipe fitting m 12
3	2.3321.003.0	1	collar Ø 8/8
4	2.0112.011.2	1	screw m 6 p.1x30
5	2.1011.103.2	1	nut m 6 p.1
6	2.1310.002.2	1	flat washer 6.4x12.5



R6.140.4 T4i VRT

Section: H0 - HYDRAULIC AND PNEUMATIC SYSTEM]

Ref: H0.01.26 (1)

**HYDRAULIC SYSTEM FOR FRONT REMOTE VALVE**

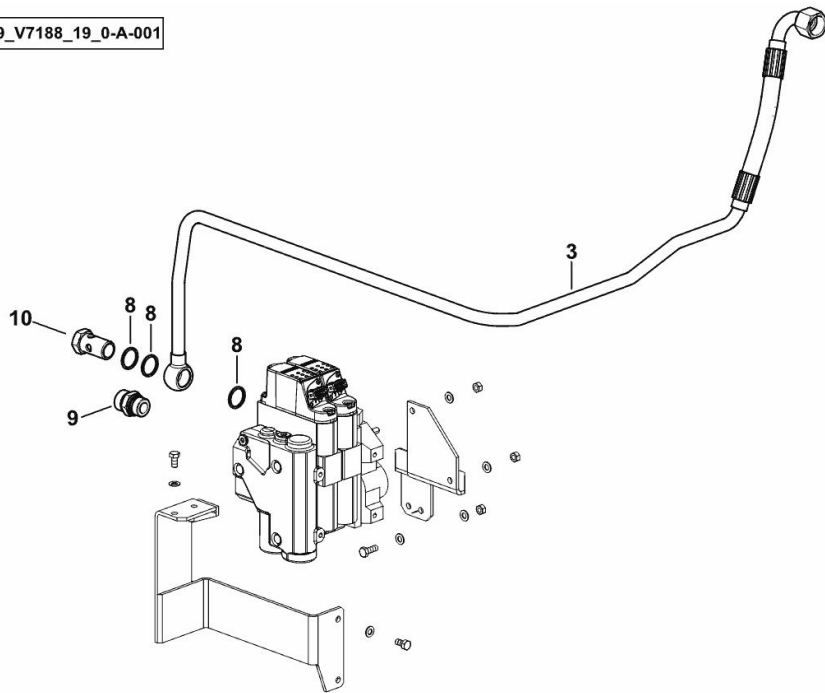
Fig.	P/n	QTY	Name
------	-----	-----	------

**Notes:**

[R6.140.4 T4i VRT]

3	0.018.4211.3	1	tube
8	2.1560.055.0	3	gasket 27.3x31.9
9	2.3272.013.0	1	pipe fitting m 27 p.2
10	2.3339.629.2/10	1	pipe union m 27 p.2x46

K9\_V7188\_19\_0-A-001



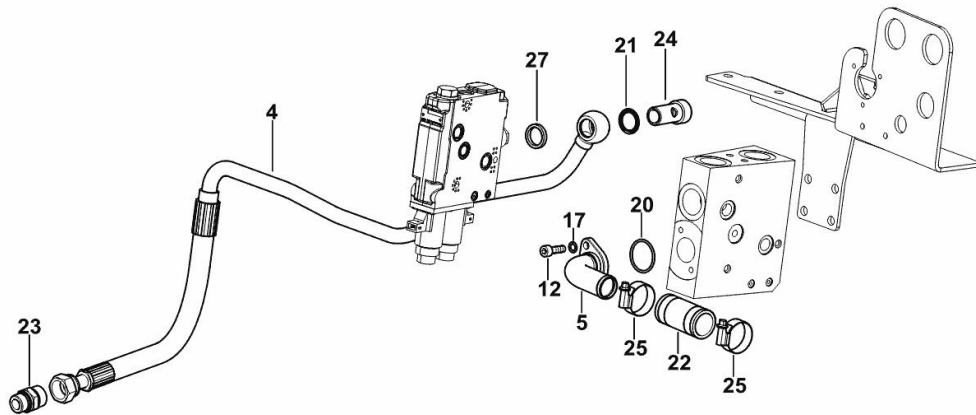
**R6.140.4 T4i VRT**

Section: H0 - HYDRAULIC AND PNEUMATIC SYSTEM|

Ref: H0.01.27 (1)

**REAR HYDRAULIC CONTROL VALVE CIRCUIT**

K9\_V7188\_00\_0-B-001



**Notes:**

[R6.140.4 T4i VRT]

Fig.	P/n	QTY	Name
4	0.019.4631.3	1	tube
5	0.018.3013.3	1	tube
12	2.0312.208.2	2	screw m 8 p.1.25 x 25
17	2.1480.014.2	2	washer 8
20	2.1532.092.0	1	ring 34.65x1.78
21	2.1561.112.0	1	gasket Ø 22 -B-
22	2.3213.228.0	1	sleeve
23	2.3272.012.0	1	pipe fitting m 22 p.1.5
24	2.3339.581.2/20	1	pipe union m 22 p.1.5x45
25	2.6851.004.0	2	clamp Ø 32/50
27	2.1569.172.0/10	1	gasket 29x22.2x5

**PLUG**

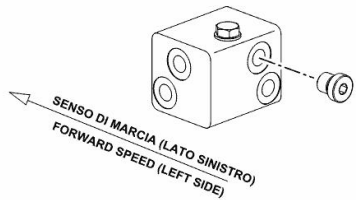
Fig.	P/n	QTY	Name
------	-----	-----	------

**Notes:**

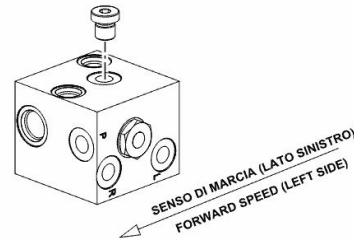
- FOR TYPES WITHOUT SUSPENDED AXLE [R6.140.4 T4i VRT]

1	2.3139.024.2	1	plug m 12 p.1.5
---	--------------	---	-----------------

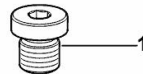
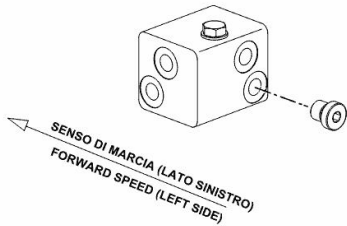
**MONTAGGIO NELLA VERSIONE  
SENZA FRENATURA ANTERIORE**  
ASSEMBLY VERSION WITHOUT  
FRONT BRAKE VALVE



**MONTAGGIO NELLA VERSIONE  
SENZA FRENATURA RIMORCHIO**  
ASSEMBLY VERSION WITHOUT  
HYDRAULIC TRAILER BRAKE



**MONTAGGIO NELLA VERSIONE SENZA  
POWER BEYOND E SENZA DISTR.ANT.**  
VERSION ASSEMBLY WITHOUT POWER BEYOND  
AND WITHOUT FRONT CONTROL VALVE



K9\_S3166\_42\_0-A-001

**PLUG**

Fig.	P/n	QTY	Name
------	-----	-----	------

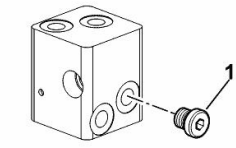
**Notes:**

[R6.140.4 T4i VRT]

1	2.3139.024.2	1	plug m 12 p.1.5
---	--------------	---	-----------------

MONTAGGIO NELLA VERSIONE SENZA PONTE SOSPESO

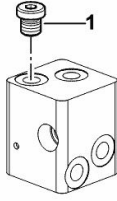
ASSEMBLY VERSION WITHOUT SUSPENDED FRONT AXLE



SENDO DI MARCIA (LATO SINISTRO)  
FORWARD SPEED (LEFT SIDE)

MONTAGGIO NELLA VERSIONE SENZA DISTRIBUTORE ANTERIORE

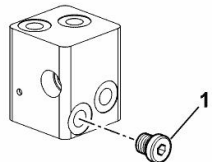
ASSEMBLY VERSION WITHOUT FRONT CONTROL VALVE



SENDO DI MARCIA (LATO SINISTRO)  
FORWARD SPEED (LEFT SIDE)

MONTAGGIO NELLA VERSIONE SENZA POWER BEYOND

VERSION ASSEMBLY WITHOUT POWER BEYOND

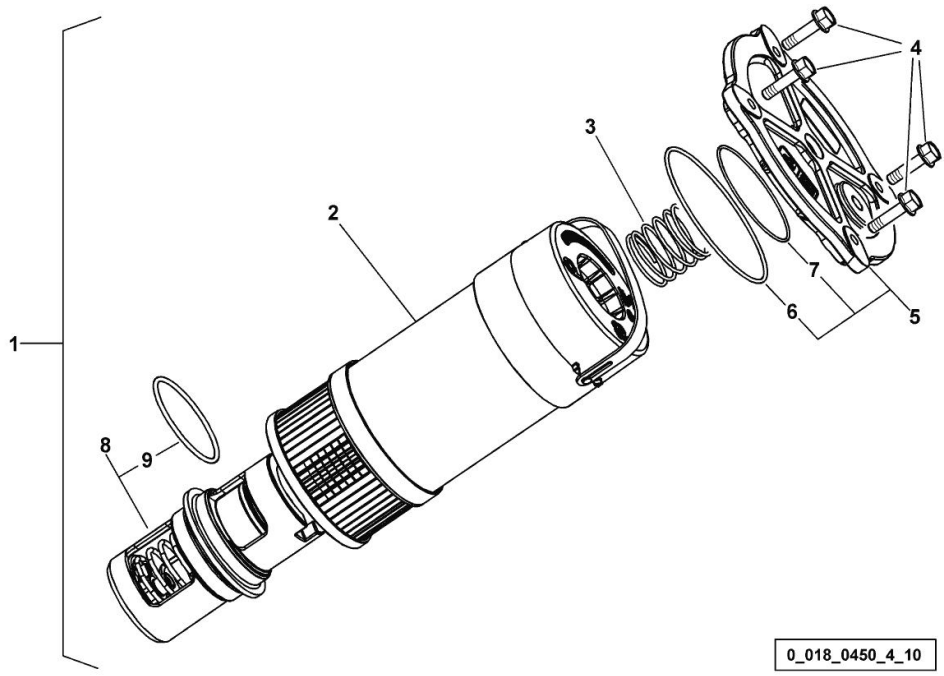


SENDO DI MARCIA (LATO SINISTRO)  
FORWARD SPEED (LEFT SIDE)

K9\_U4366\_42\_0-A-001

**LUBRIC. OIL FILTER**

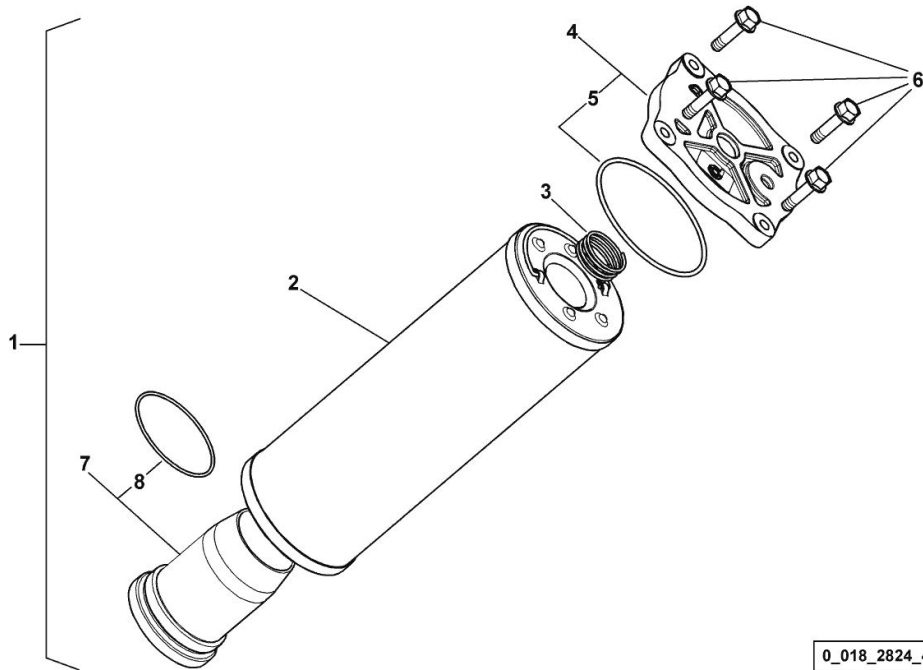
Fig.	P/n	QTY	Name
1	0.018.0450.4/10	1	oil filter
2	2.4419.803.0	1	filter
3	0.900.1538.5	1	spring
4	0.900.1538.3	4	screw m 6 x 25
5	0.900.1538.7	1	complete cover
6	0.900.1539.1	1	oil seal Ø mm 113.67x5.33
7	0.900.1539.0	1	oil seal Ø mm 94.84x3.53
8	0.000.0000.1		cannot be supplied
9	0.000.0000.1		cannot be supplied



0\_018\_0450\_4\_10

**LUBRIC. OIL FILTER**

Fig.	P/n	QTY	Name
1	0.018.2824.4	1	oil filter
2	2.4419.802.0	1	filter
3	0.900.1538.1	1	spring
4	0.900.1538.2	1	complete cover
5	0.900.1538.8	1	oil seal Ø mm 85.09x5.33
6	0.900.1538.3	4	screw m 6 x 25
7	0.000.0000.1		cannot be supplied
8	0.000.0000.1		cannot be supplied



0\_018\_2824\_4

**Buy Now**



Our support email:

[ebooklibonline@outlook.com](mailto:ebooklibonline@outlook.com)