

FASTENINGS

Fig.	P/n	QTY	Name
------	-----	-----	------

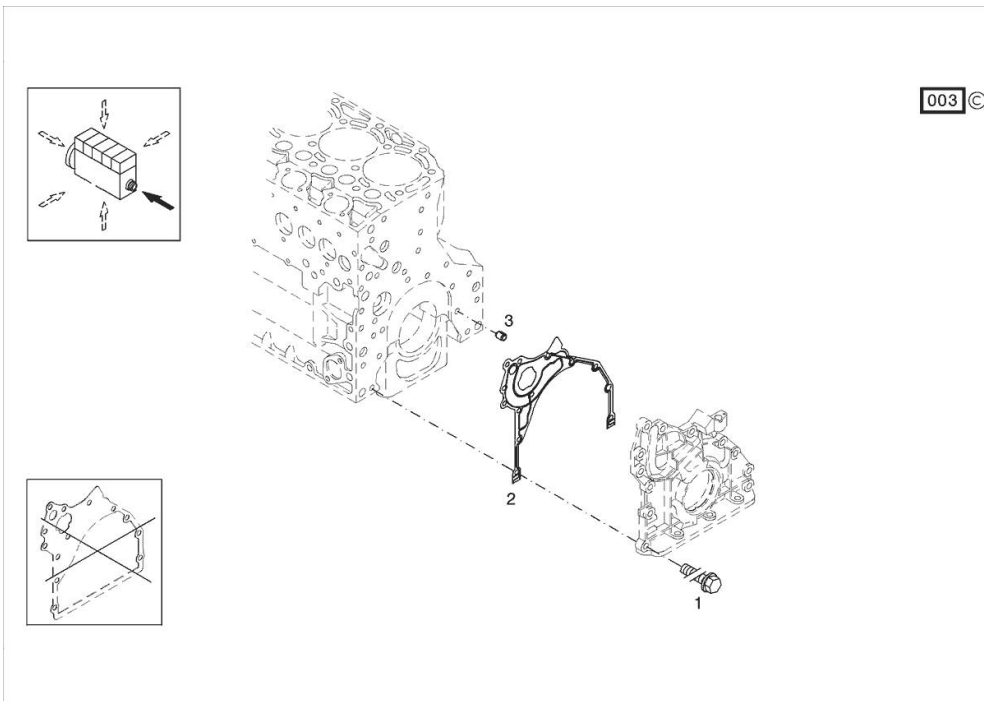
Notes:

[R6.150 HI-PROFILE]

Engine serial number:

10198676 10218257 10261890 10292131 10292136 10292144 10295633 10295646 10402119 10447012 10503779
10513556 10517591

1	01183645	12	screw EN 1662 -F-M8X35-10.9-ZNAL-A
2	04504325	1	gasket
3	01181406	1	bushing H 2341 -B11X8-FE/ZN12C*



Section: B0 - ENGINE

BLEEDING TUBE

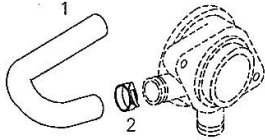
Fig.	P/n	QTY	Name
------	-----	-----	------

Notes:

[R6.150 HI-PROFILE]

1	04198572	1	tube
2	01178750	3	clamp DIN 3021 -A-29X15

001



CRANKCASE BREATHER

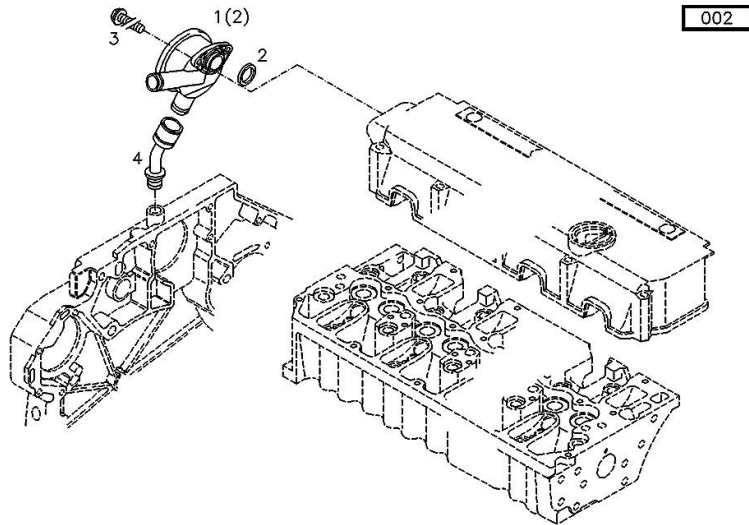
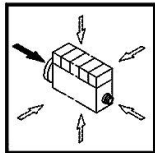
Fig.	P/n	QTY	Name
------	-----	-----	------

Notes:

[R6.150 HI-PROFILE]

Engine serial number:

10198676 10218257 10261890 10292131 10292136 10292144 10295633 10295646 10402119 10447012 10503779
10513556 10517591



1	04203321	1	valve WITH POS.... (2)
2	04206233	1	gasket
3	01148431	2	screw - FROM THE MONTH OF ASSEMBLY SEE POS. (B) - UP TO THE MONTH OF ASSEMBLY (A) FROM THE MONTH OF ASSEMBLY A = 09.1995 B = POS. 950 ISO 4762 -M6X20-8.8-ZNAL-A
4	04207290	1	pipng
5	01124654	2	washer 6,4 d433 ISO 7092 -6-140HV-A4C*
950	01181965	2	screw - UP TO MONTH OF ASSEMBLY (A) - FROM MONTH OF ASSEMBLY SEE POS. (B) A = 08.1995 B = POS. 3 EN 1662 -F-M6X20-10.9-ZNAL-A

ACCESSORIES

Fig.	P/n	QTY	Name
------	-----	-----	------

Notes:

[R6.150 HI-PROFILE]

Engine serial number:

10198676 10218257 10261890 10292131 10292136 10292144 10295633 10295646 10402119 10447012 10503779
10513556 10517591

3	04288659	1	support
4	01148261	2	screw ISO 4017 -M16X40-10.9-ZNAL-A
5	01181400	2	washer H 2308 -18X25X1,5-A4C

006 ©

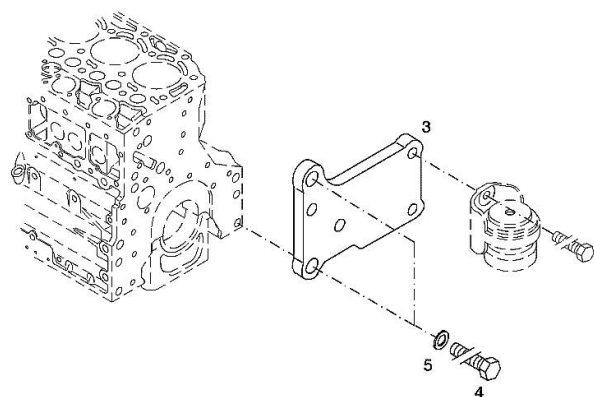
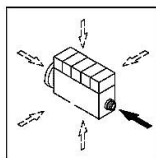
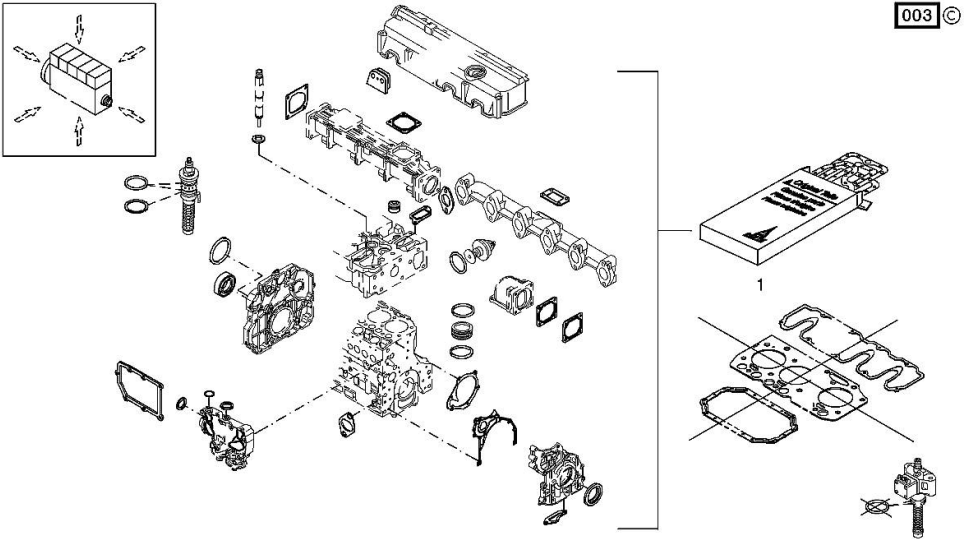


Fig.	P/n	QTY	Name
------	-----	-----	------

Notes:
[R6.150 HI-PROFILE]

Engine serial number:
10198676 10218257 10261890 10292131 10292136 10292144 10295633 10295646 10402119 10447012 10503779
10513556 10517591

1	02937586	1	gasket set THE KIT DOES NOT CONTAIN ALL THE GASKETS: SEE SM 0199-99-9449
---	----------	---	--



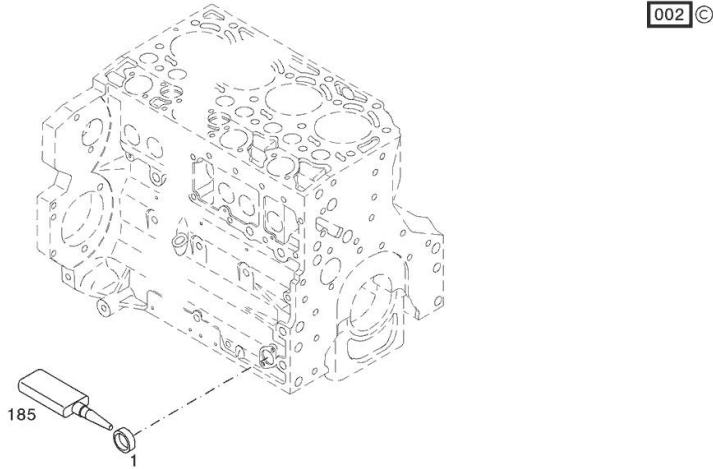
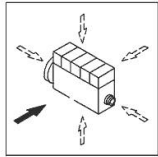
PLUG

Fig.	P/n	QTY	Name
------	-----	-----	------

Notes:

[R6.150 HI-PROFILE]

1	01148031	1	plug DIN 443 -A36-ZNPHR
185	01319911	1	sealing compound ml. 50



Section: B0 - ENGINE
ACCESSORIES

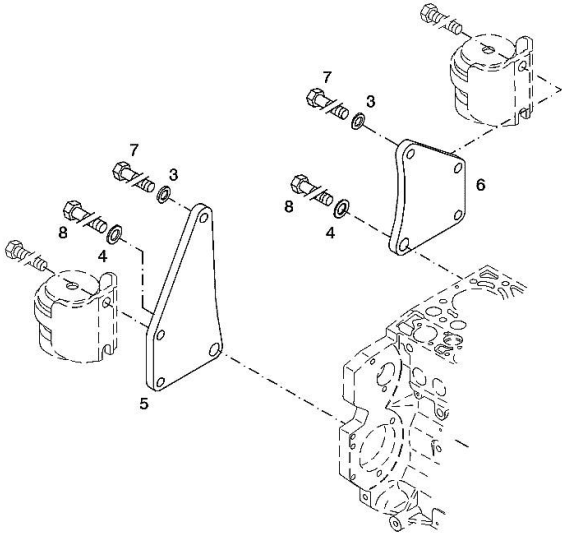
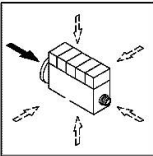
Fig.	P/n	QTY	Name
------	-----	-----	------

Notes:
[R6.150 HI-PROFILE]

Engine serial number:
10198676 10218257 10261890 10292131 10292136 10292144 10295633 10295646 10402119 10447012 10503779
10513556 10517591

3	01182016	2	disc H 2308 -13X24X3-ZNAL-A
4	01181400	2	washer H 2308 -18X25X1,5-A4C
5	04206926	1	plate dx/rh/re
6	04206927	1	plate sx/lh/li
7	01148137	2	screw - UP TO MONTH OF ASSEMBLY (A) - FROM MONTH OF ASSEMBLY SEE POS. (B) A = 06.2009 B = POS. 950 DIN 931 -M12X75-10.9-ZNAL-A
8	01148037	2	screw UP TO MONTH OF ASSEMBLY (A) - FROM MONTH OF ASSEMBLY SEE POS. (B) A = 06.2009 B = POS. 951 ISO 4014 -M16X75-10.9-OELGESCHW
950	01149017	2	screw - FROM MONTH OF ASSEMBLY SEE POS. (B) - UP TO MONTH OF ASSEMBLY (A) FROM MONTH OF ASSEMBLY A = 07.2009 B = 7 DIN 34800 -BM12X75-10.9-ZNAL-A
951	01180235	2	screw - FROM MONTH OF ASSEMBLY SEE POS. (B) - UP TO MONTH OF ASSEMBLY (A) FROM MONTH OF ASSEMBLY A = 07.2009 B= Pos.8 H 2032 -HBM16X75-10.9-GESCHW

003 ©



Buy Now



Our support email:

ebooklibonline@outlook.com