

**BONNET - FRONT PORTION**

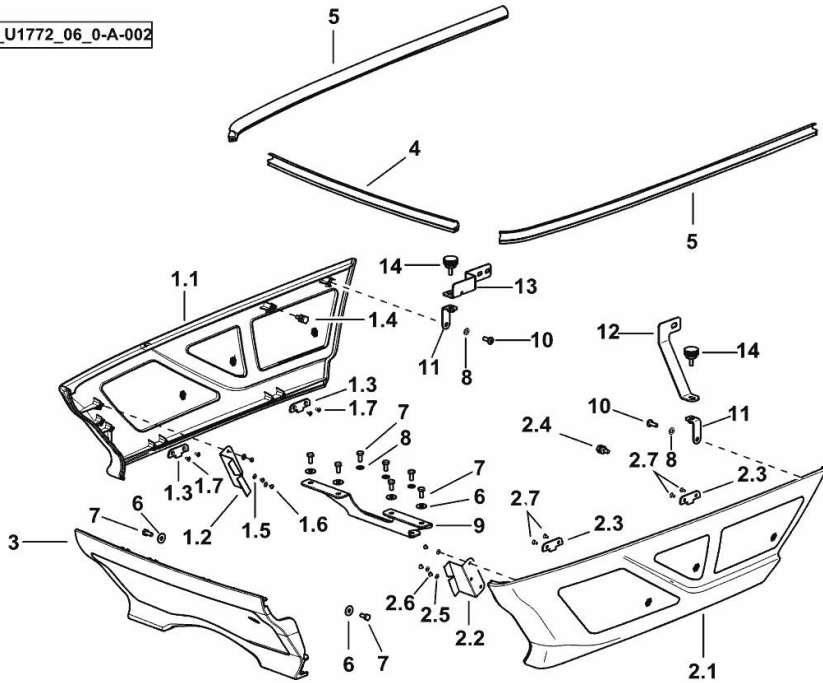
Fig.	P/n	QTY	Name
------	-----	-----	------

**Notes:**

[R6.150 T4i Hi-Profile] 50010 <-

1.1	0.018.4790.3/30	1	fascia dx/rh/re
1.2	0.018.9776.0	1	bracket dx/rh/re
1.3	0.017.6356.0/10	2	bracket
1.4	0.017.6364.0	1	pin
1.5	2.1310.028.2	3	flat washer
1.6	2.0332.201.6	3	screw m4x8
1.7	2.0342.022.6	4	screw m4x0.7x8
2.1	0.018.4791.3/30	1	fascia sx/lh/li
2.2	0.018.9777.0	1	bracket dx/rh/re
2.3	0.017.6356.0/10	2	bracket
2.4	0.017.6364.0	1	pin
2.5	2.1310.028.2	3	flat washer
2.6	2.0332.201.6	3	screw m4x8
2.7	2.0342.022.6	4	screw m4x0.7x8
3	0.019.2553.0/10	1	front grille for hood
4	0.018.9791.0	1	gasket
5	0.018.9790.0	2	gasket
6	2.1312.003.2	6	washer 6
7	2.0112.004.2	9	screw m 6 p.1 x 14
8	2.1310.002.2	5	flat washer 6.4x12.5
9	0.019.0163.3	1	bracket
10	2.0332.406.6	2	screw m 6 p.1.0 x 16
11	0.019.8992.3	2	bracket
12	0.019.8997.0	1	bracket
13	0.019.9076.0	1	bracket
14	0.016.5950.0	2	knob m 6 x 16

K9\_U1772\_06\_0-A-002



**BONNET - FRONT PORTION**

K9\_U1772\_06\_0-A-003

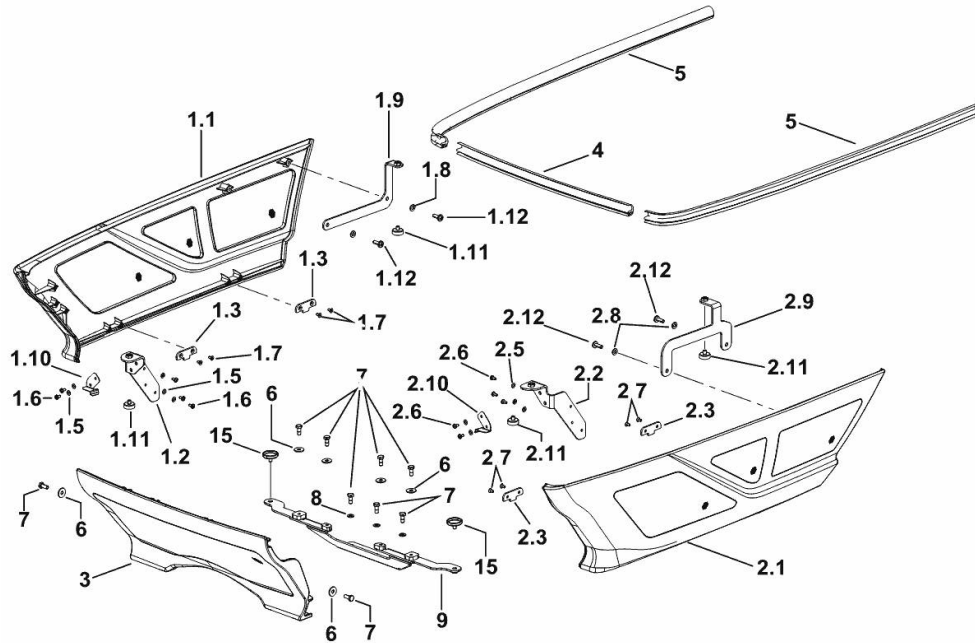


Fig.	P/n	QTY	Name
------	-----	-----	------

**Notes:**

[R6.150 T4i Hi-Profile]

1.1	0.018.4790.3/30	1	fascia dx/rh/re
1.2	0.020.2872.3	1	bracket dx/rh/re
1.3	0.017.6356.0/10	2	bracket
1.5	2.1310.028.2	5	flat washer
1.6	2.0332.202.3	5	screw m 4 p.0.7x8
1.7	2.0342.022.6	4	screw m4x0.7x8
1.8	2.1310.002.2	2	flat washer 6.4x12.5
1.9	0.020.2876.3	1	bracket
1.10	0.020.2874.0	1	bracket
1.11	0.020.2231.0	2	magnet
1.12	2.0332.406.6	2	screw m 6 p.1.0 x 16
2.1	0.018.4791.3/30	1	fascia sx/lh/li
2.2	0.020.2878.3	1	bracket sx/lh/li
2.3	0.017.6356.0/10	2	bracket
2.5	2.1310.028.2	5	flat washer
2.6	2.0332.202.3	5	screw m 4 p.0.7x8
2.7	2.0342.022.6	4	screw m4x0.7x8
2.8	2.1310.002.2	2	flat washer 6.4x12.5
2.9	0.020.2880.3	1	bracket
2.10	0.020.2879.0	1	bracket
2.11	0.020.2231.0	2	magnet
2.12	2.0332.406.6	2	screw m 6 p.1.0 x 16
3	0.019.2553.0/10	1	front grille for hood
4	0.018.9791.0/10	1	gasket
5	0.018.9790.0/10	2	gasket
6	2.1312.003.2	6	washer 6
7	2.0112.004.2	9	screw m 6 p.1 x 14
8	2.1310.002.2	5	flat washer 6.4x12.5
9	0.020.2881.3/10	1	bracket
15	0.020.2232.0	2	magnet

Section: G0 - BODYWORK - CAB  
**BONNET - SIDES**

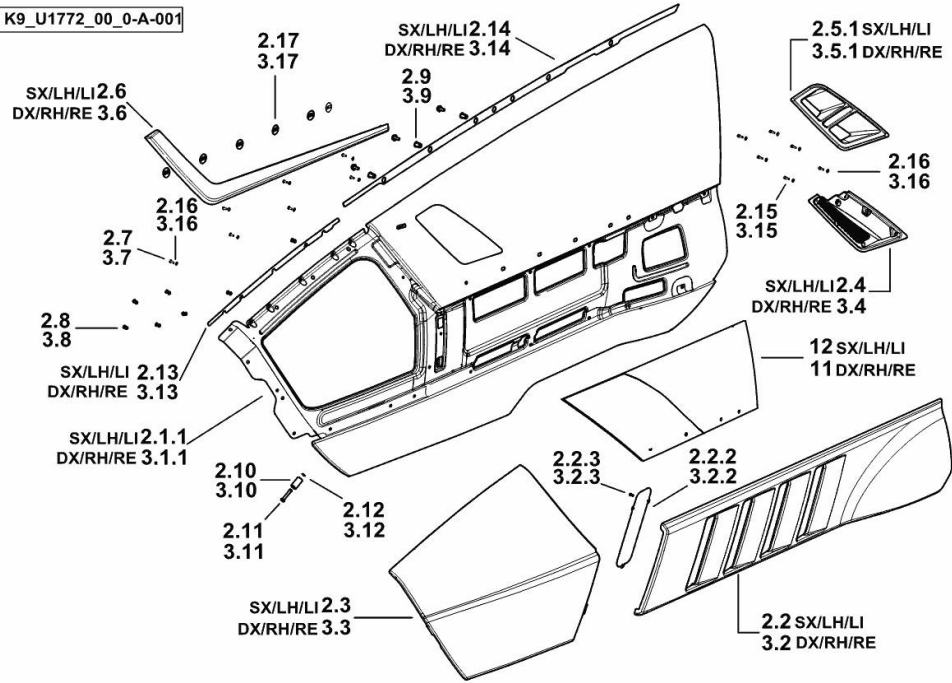


Fig.	P/n	QTY	Name
------	-----	-----	------

Notes:

[R6.150 T4i Hi-Profile]

2.1.1	0.018.3955.3	1	left hand side panel
2.2	0.013.7874.4	1	left hand side panel
2.2.2	0.013.4282.0	4	grille
2.2.3	2.0361.205.2	12	screw 3x8
2.3	0.013.3307.0/30	1	grille sx/lh/li
2.4	0.018.6875.0/10	1	grille sx/lh/li
2.5.1	0.018.6873.2/10	1	grille sx/lh/li
2.6	0.018.6868.2/10	1	fascia
2.7	2.6999.074.0	6	clip 6 x 24
2.8	2.1856.004.0	6	rivet 4
2.9	2.1149.004.2	6	insert m 6
2.10	0.013.2570.0	1	bush
2.11	0.013.2571.0	1	small pin
2.12	2.1430.006.2	1	circlip 5
2.13	0.012.9163.0/10	1	gasket sx/lh/li
2.14	0.013.5995.0	1	gasket sx/lh/li
2.15	2.0312.702.2	6	screw m 4.0 x 12
2.16	2.1310.028.2	14	flat washer
2.17	2.0330.204.2	8	screw m 4.0 x 12
3.1.1	0.018.3953.3/10	1	right hand side panel
3.2	0.019.1080.4	1	right hand side panel
3.2.2	0.013.4282.0	4	grille
3.2.3	2.0361.205.2	12	screw 3x8
3.3	0.013.3310.0/30	1	grille dx/rh/re
3.4	0.018.6885.0/10	1	grille dx/rh/re
3.5.1	0.018.6896.2/10	1	grille dx/rh/re
3.6	0.018.6883.2/10	1	fascia
3.7	2.6999.074.0	6	clip 6 x 24
3.8	2.1856.004.0	6	rivet 4
3.9	2.1149.004.2	6	insert m 6
3.10	0.013.2570.0	1	bush
3.11	0.013.2571.0	1	small pin
3.12	2.1430.006.2	1	circlip 5
3.13	0.012.9164.0/10	1	gasket dx/rh/re
3.14	0.013.6055.0	1	gasket dx/rh/re
3.15	2.0312.702.2	6	screw m 4.0 x 12
3.16	2.1310.028.2	12	flat washer
3.17	2.0330.204.2	6	screw m 4.0 x 12
11	0.018.8431.0	1	shield dx/rh/re
12	0.018.8432.0	1	shield sx/lh/li

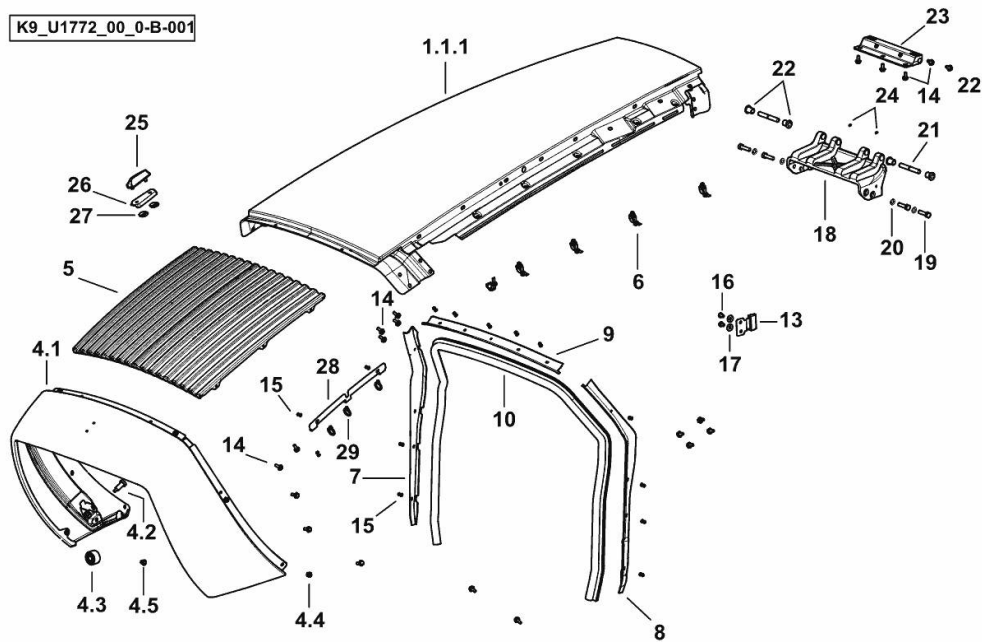
**HOOD**

Fig.	P/n	QTY	Name
------	-----	-----	------

**Notes:**

[R6.150 T4i Hi-Profile]

K9\_U1772\_00\_0-B-001



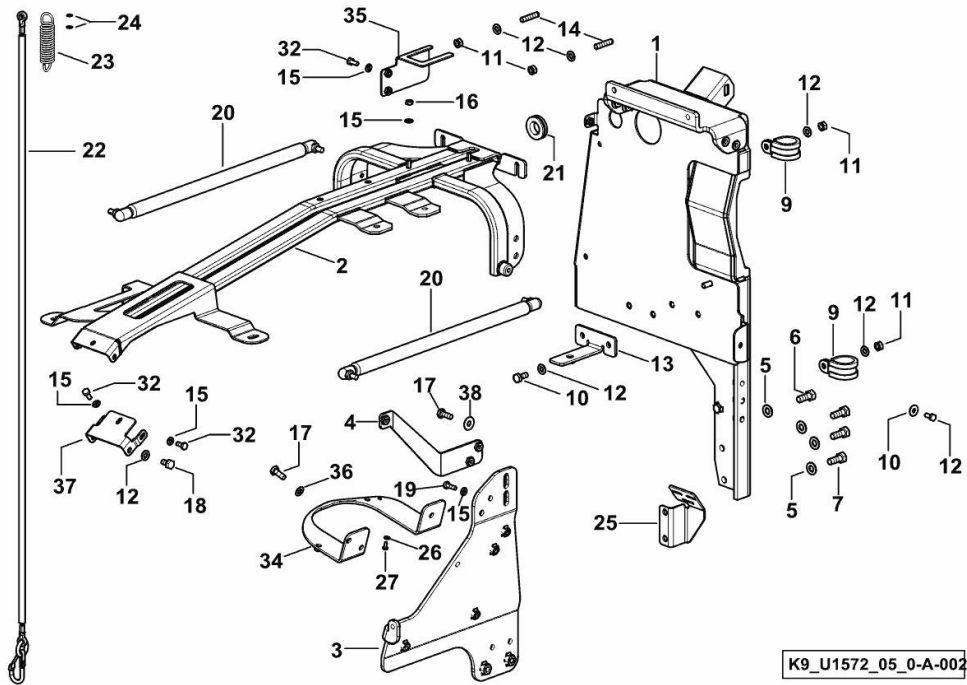
1.1.1	0.018.7808.3/10	1	hood
4.1	0.013.4290.8/30	1	front hood
4.2	0.012.8465.0	2	screw m 6
4.3	0.012.7257.0/10	2	roller
4.4	2.1149.005.2	4	bush m 6
4.5	2.1140.018.2	2	nut m 6 p.1, d934
5	0.019.0355.2	1	grille
6	2.6859.108.0	8	clamp
7	0.019.5360.0	1	frame dx/rh/re
8	0.013.2568.0	1	frame sx/lh/li
9	0.013.2567.0	1	frame
10	0.013.2565.0/20	1	gasket
13	0.018.5356.2/10	2	shoe
14	2.0129.065.0	41	screw m 6 x 14
15	2.1856.004.0	25	rivet 4
16	2.0332.403.3	4	screw m 6 p.1 x 10
17	2.1312.003.2	4	washer 6
18	0.019.1681.0/20	1	support
19	2.0112.211.2	4	screw m 8 p.1.25 x 30
20	2.1475.002.7	4	washer 8.4
21	2.1699.563.0	2	pin 10x70
22	2.1559.147.0	4	bushing
23	0.013.1914.3/20	1	hinge
24	2.0532.003.7	2	grub screw m 5x10
25	0.018.8461.0/10	1	profile
26	0.019.0354.0	1	gasket
27	2.6999.074.0	2	clip 6 x 24
28	0.019.5063.0	1	bracket
29	2.6852.101.0	3	clamp 142x3.6

**HOOD - SUPPORTS**

Fig.	P/n	QTY	Name
------	-----	-----	------

**Notes:**

[R6.150 T4i Hi-Profile]



1	0.018.5052.4/50	1	chassis frame
2	0.018.6782.4/40	1	chassis frame
3	0.018.5072.3/40	1	plate
4	0.018.6558.3	1	bracket
5	2.1475.003.7	4	washer 10.5
6	2.0119.316.2	2	screw
7	2.0112.309.2	2	screw m 10 p.1.5 x 25
9	2.6839.052.0	2	clamp 30/20
10	2.0112.206.2	2	screw m 8 p.1.25 x 18
11	2.1011.105.2	4	nut m 8 p.1.25
12	2.1310.004.2	10	flat washer 8.4x17
13	0.018.5888.3	1	bracket
14	2.0422.205.2	2	stud bolt m 8 x 25
15	2.1310.002.2	5	flat washer 6.4x12.5
16	2.1011.103.2	2	nut m 6 p.1
17	2.0112.207.2	7	screw m 8 p 1.25 x 20
18	2.0112.204.2	2	screw m 8 p.1.25x14
19	2.0114.005.2	4	screw m 6 p.1.0 x 16
20	0.013.1311.4	2	shock absorber
21	2.6560.017.0	1	wire guide 22x2.5
22	0.016.3391.4/10	1	rope
23	2.4049.241.0	1	spring
24	2.6999.049.0	2	clip
25	0.018.6345.0/20	1	bracket
26	2.1310.028.2	1	flat washer
27	2.0330.203.2	1	screw m 4 x 10
32	2.0112.004.2	5	screw m 6 p.1 x 14
34	0.018.6551.3	1	bracket
35	0.019.3706.3	1	bracket
36	2.1475.002.7	3	washer 8.4
37	0.019.6420.0	1	bracket
38	2.1312.004.2	2	washer 8x24x2

**HOOD TO CAB CONNECTION FRAME**

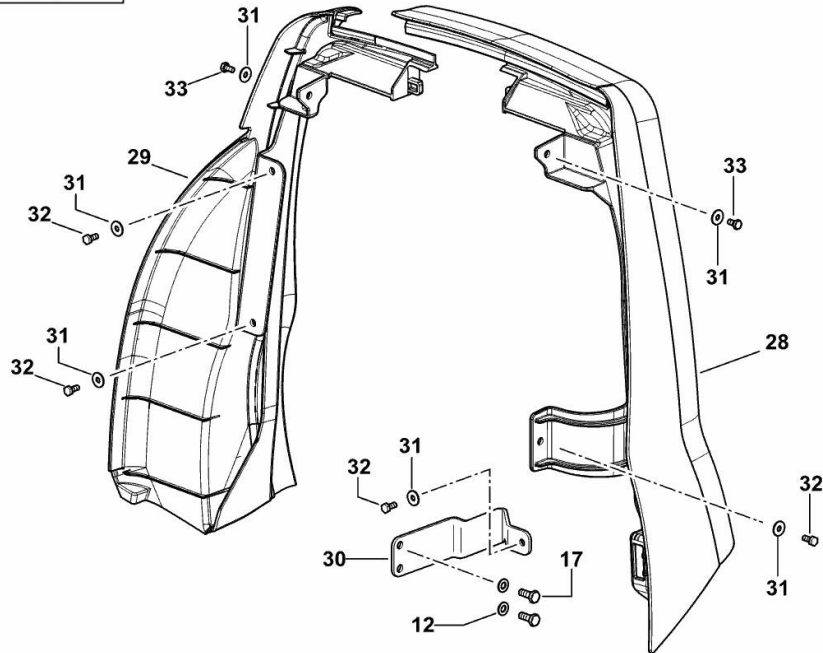
Fig.	P/n	QTY	Name
------	-----	-----	------

**Notes:**

[R6.150 T4i Hi-Profile]

12	2.1310.004.2	10	flat washer 8.4x17
17	2.0112.207.2	7	screw m 8 p 1.25 x 20
28	0.018.7360.3/10	1	frame sx/lh/li
29	0.018.7358.3/10	1	frame dx/rh/re
30	0.018.7365.3/20	1	bracket
31	2.1312.003.2	4	washer 6
32	2.0112.004.2	5	screw m 6 p.1 x 14
33	2.0112.003.2	6	screw m 6 p.1 x 12

K9\_U1572\_05\_0-B-002



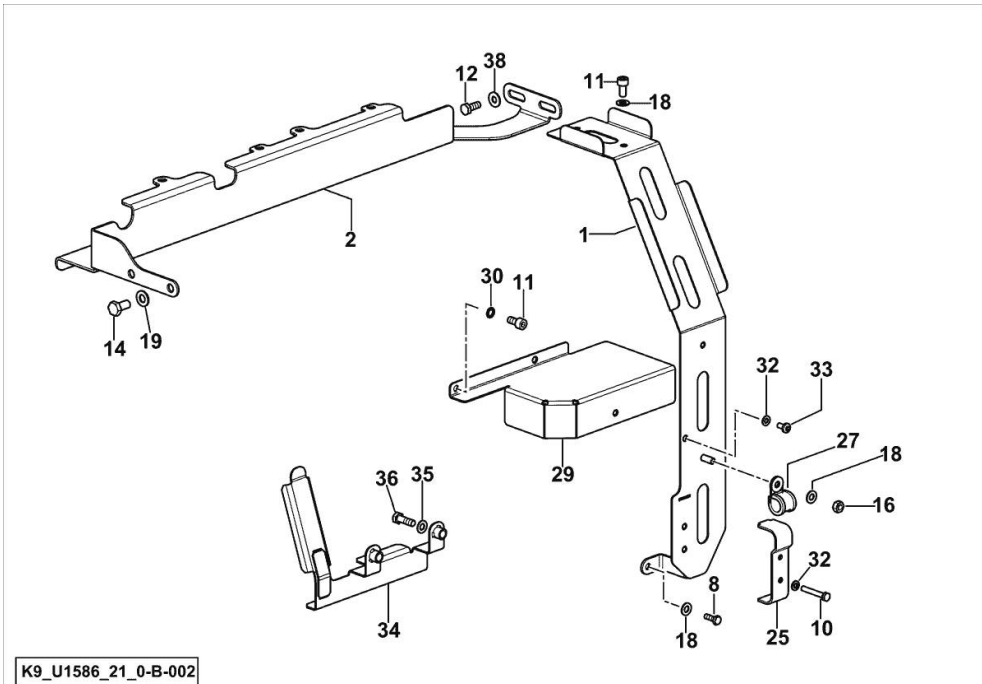
**DEFLECTORS AND SUPPORTS**

Fig.	P/n	QTY	Name
------	-----	-----	------

**Notes:**

[R6.150 T4i Hi-Profile] 50010 <-

1	0.019.0789.3/20	1	bracket
2	0.019.0785.3/30	1	channel
8	2.0112.006.2	1	screw m 6 p.1 x 18
10	2.0112.015.2	3	screw m 6 p.1x40
12	2.0112.207.2	2	screw m 8 p 1.25 x 20
14	2.0114.307.2	2	screw m 10 x 20, d933
16	2.1011.105.2	1	nut m 8 p.1.25
18	2.1310.004.2	3	flat washer 8.4x17
19	2.1310.006.2	2	flat washer 10.5x21
25	2.6839.052.0	1	clamp 30/20
27	2.6839.058.0	1	clamp Ø 17/20
29	0.018.6325.3	1	cover
30	2.1480.014.2	2	washer 8
32	2.1310.002.2	3	flat washer 6.4x12.5
33	2.0332.404.2	1	screw m 6 p.1 x 12
34	0.019.7325.3	1	bracket
35	2.1475.002.2	2	conical washer 8
36	2.0112.209.2	2	screw m 8 p 1.25 x 25
38	2.1312.004.2	2	washer 8x24x2
11	2.0312.204.2	3	screw m 8 p.1.25 x 16



K9\_U1586\_21\_0-B-002

**Buy Now**



Our support email:

[ebooklibonline@outlook.com](mailto:ebooklibonline@outlook.com)