

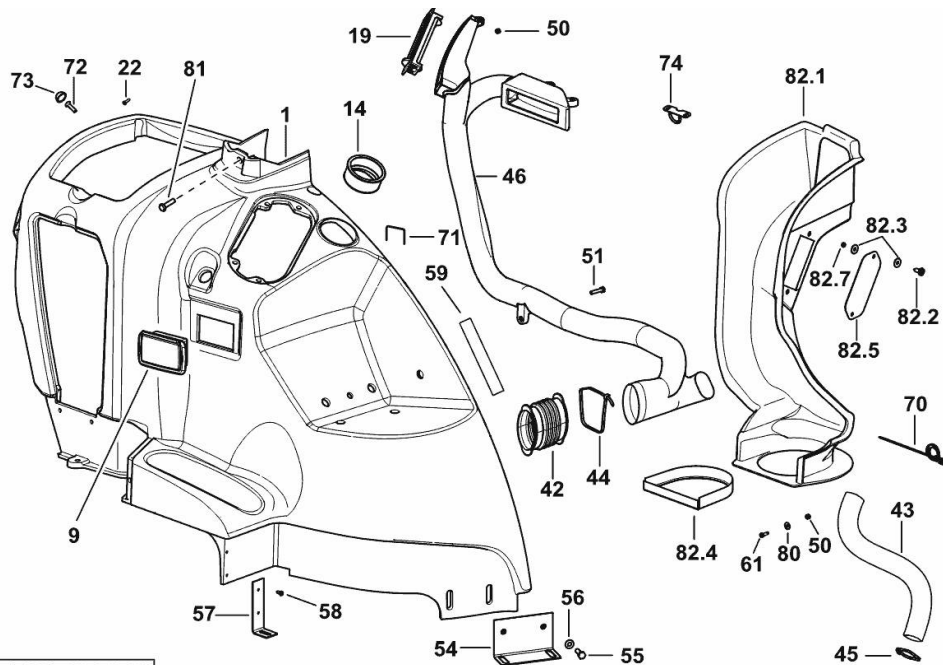
**CONTROL CONSOLE SX/LH/LI**

Fig.	P/n	QTY	Name
------	-----	-----	------

**Notes:**

[R6.160 HI-PROFILE DCR -> 20001]

1	0.016.7006.2/10	1	console
9	04412336	1	ashtray
14	04431564	1	pipe fitting
19	04411423	1	mixer
22	04426906	5	screw 4.2x16
42	0.011.5581.0	1	boot
43	04431843	1	flexible hose
44	2.6852.203.0	1	clamp 292 x 4.8
45	01137413	1	fascia Ø 32/50
46	04429710/10	1	air shaft
50	2.1120.003.2	3	self-locking nut m 6
51	2.0114.011.2	1	screw m 6 p,1x30
54	0.018.8661.3	1	support
55	2.0114.209.2	2	screw m 8 x 25
56	01138374	2	washer 8,4x21x4
57	04429758	1	support
58	01127683	2	screw m 4.2x13
59	04418723	1	profile
61	2.0114.007.2	2	screw m 6 p.1 x 20
70	01171694	2	clamp 172X4.6
71	04450845	20	brace
72	2.0342.207.6	1	screw m 6 p.1 x 25
73	04419538	1	cap
74	04429203	1	support
80	06214189	2	washer 6.4
81	2.0114.211.2	1	screw m 8 x 30
82.1	04451226	1	canal sx/lh/li
82.2	2.0112.005.2	2	screw m 6 p.1 x 16
82.3	2.1312.003.2	4	washer 6
82.4	0.011.5949.0	1	protective mesh
82.5	0.011.3788.0	1	plate
82.7	2.1120.103.2	1	nut m 6



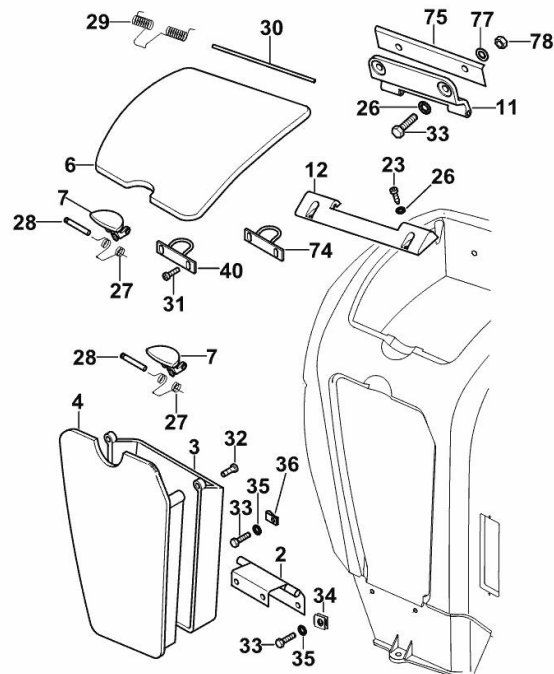
9\_S4871\_23\_0-A-001

**CONTROL CONSOLE SX/LH/LI**

Fig.	P/n	QTY	Name
------	-----	-----	------

**Notes:**

[R6.160 HI-PROFILE DCR -> 20001] 20014 <-



9\_95071\_26\_0-B-001

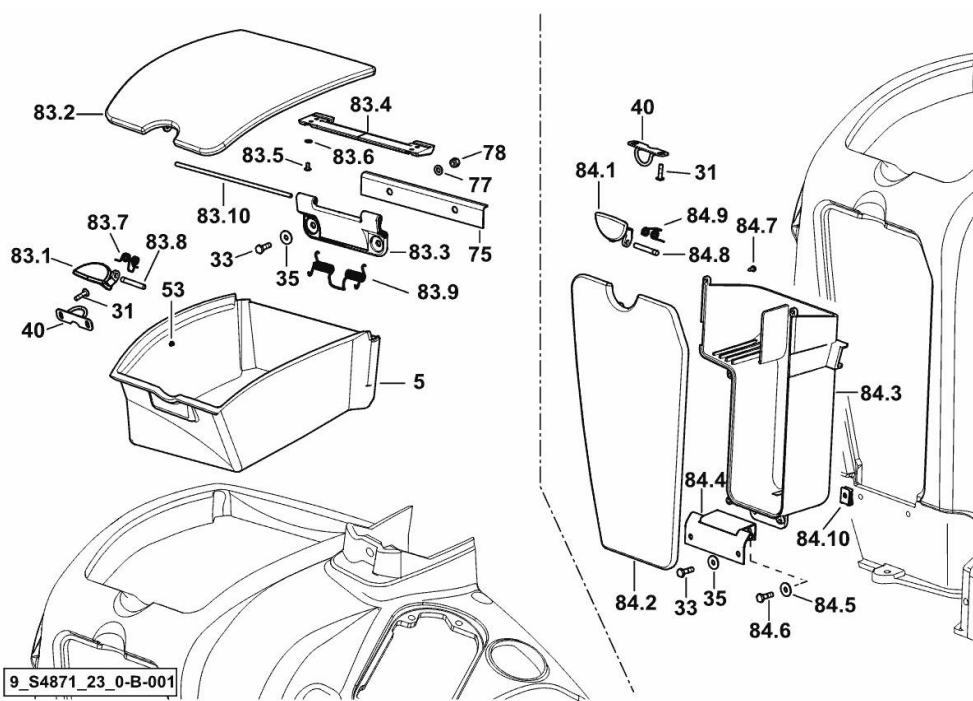
2	0.010.9992.2	1	hinge
3	04429198	1	glove pocket
4	04429199	1	cover
6	04429286	1	cover
7	0.010.9955.0	2	handle
11	0.010.9987.0	1	hinge
12	0.010.9988.0/10	1	hinge
23	04419646	4	self tapping screw
26	2.1312.001.2	2	washer 4
27	2.4099.120.3/10	2	spring
28	2.1699.510.2	2	pin
29	2.4099.135.2	1	spring
30	2.1659.520.3	1	pin
31	04412976	4	screw 4.8x19
32	2.0350.253.3	9	screw m 3.5 x 9.5 AB
33	2.0114.007.2	8	screw m 6 p.1 x 20
34	04429941	4	special nut
35	01119810	9	washer 6.4
36	2.6999.064.6	2	special nut m 6
40	04429682	1	support
74	04429203	1	support
75	04451325	1	support
77	2.1310.002.2	2	flat washer 6.4x12.5
78	2.1120.003.2	2	self-locking nut m 6

**CONTROL CONSOLE SX/LH/LI**

Fig.	P/n	QTY	Name
------	-----	-----	------

**Notes:**

[R6.160 HI-PROFILE DCR -> 20001]



9\_S4871\_23\_0-B-001

5	04429274/10	1	glove pocket
31	04412976	4	screw 4.8x19
33	2.0114.007.2	6	screw m 6 p.1 x 20
35	01119810	7	washer 6.4
40	04429682	2	support
53	04426353	4	rivet
75	04451325	1	support
77	2.1310.002.2	2	flat washer 6.4x12.5
78	2.1120.003.2	2	self-locking nut m 6
83.1	0.010.9955.0	1	handle
83.2	04429286	1	cover
83.3	0.010.9987.0	1	hinge
83.4	0.010.9988.0/10	1	hinge
83.5	04419646	4	self tapping screw
83.6	2.1310.028.2	4	flat washer
83.7	2.4099.120.3/10	1	spring
83.8	2.1699.510.2	1	pin
83.9	2.4099.135.2	1	spring
83.10	2.1659.520.3	1	pin
84.1	0.010.9955.0	1	handle
84.2	04429199	1	cover
84.3	04429198	1	glove pocket
84.4	0.010.9992.2	1	hinge
84.5	01119810	2	washer 6.4
84.6	2.0114.007.2	2	screw m 6 p.1 x 20
84.7	2.0350.253.3	5	screw m 3.5 x 9.5 AB
84.8	2.1699.510.2	1	pin
84.9	2.4099.120.3/10	1	spring
84.10	2.6999.064.6	2	special nut m 6

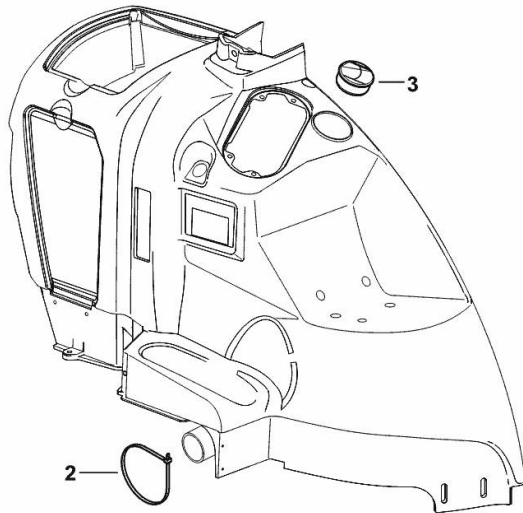
**CONTROL CONSOLE LEFT**

Fig.	P/n	QTY	Name
------	-----	-----	------

**Notes:**

[R6.160 HI-PROFILE DCR -> 20001]

2	2.6852.203.0	1	clamp 292 x 4.8
3	04428870	2	mixer



9\_J2971\_43\_0-B-001

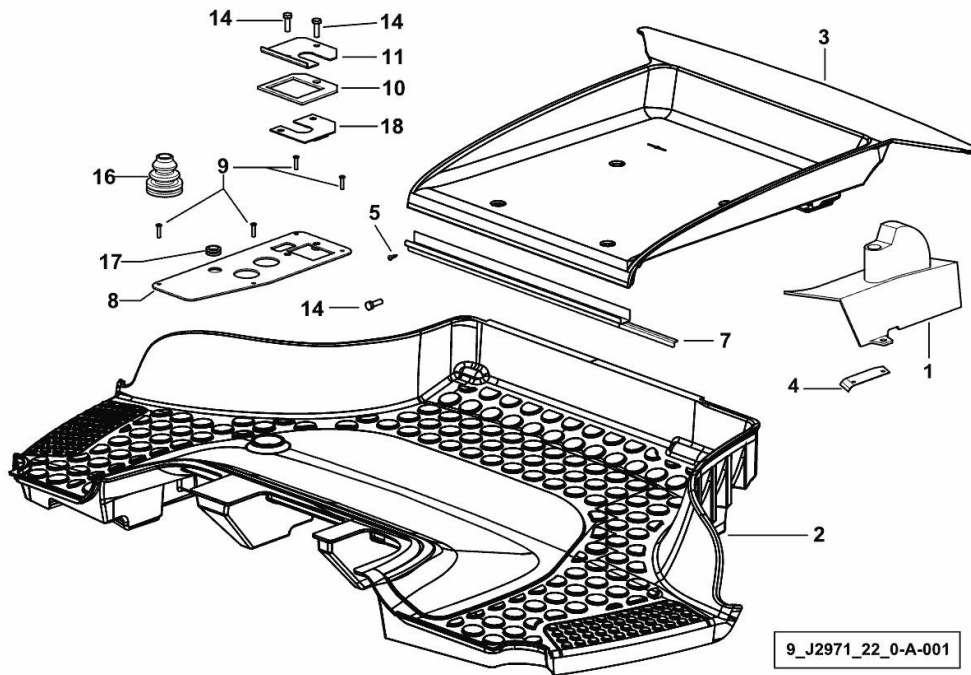
**INTERIOR TRIM**

Fig.	P/n	QTY	Name
------	-----	-----	------

**Notes:**

[R6.160 HI-PROFILE DCR -> 20001]

1	04429291	1	cover
2	0.012.6504.2/10	1	mat
3	04429039	1	mat
4	0.018.0181.0	1	bracket
5	04426906	2	screw 4.2x16
7	04429938	1	channel
8	0.015.3413.3/40	1	plate
9	01176029	4	rivet a5x21 h2416
10	0.015.6237.0	1	gasket
11	0.015.3731.0/30	1	plate
14	2.0114.209.2	3	screw m 8 x 25
16	06544636	2	bellows
17	2.6569.056.0	1	grommet
18	0.017.5546.2	1	bracket



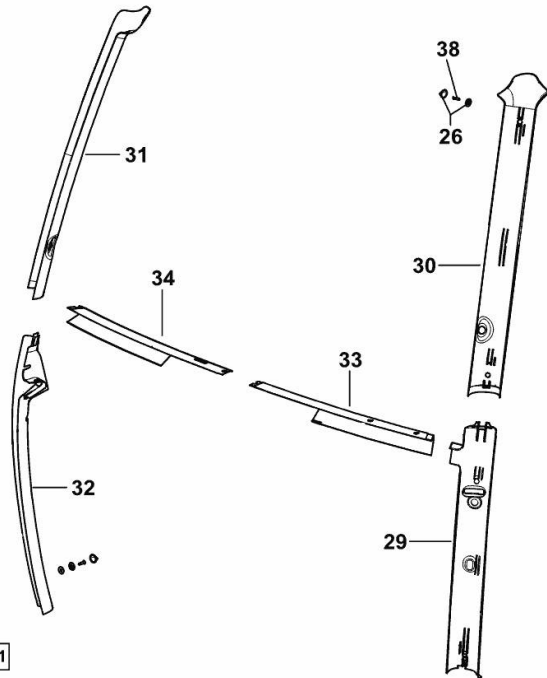
**INTERNAL CAB LININGS**

Fig.	P/n	QTY	Name
------	-----	-----	------

**Notes:**

[R6.160 HI-PROFILE DCR -> 20001]

26	04419538	8	cap
29	04418683	1	lining sx/lh/li
30	0.015.4072.0	1	lining sx/lh/li
31	0.015.4076.0	1	lining dx/rh/re
32	04418685	1	lining dx/rh/re
33	04436094	1	lining sx/lh/li
34	04436095	1	lining dx/rh/re
38	2.0351.559.3	8	screw m 4.8x32



9\_J6671\_33\_0-B-001

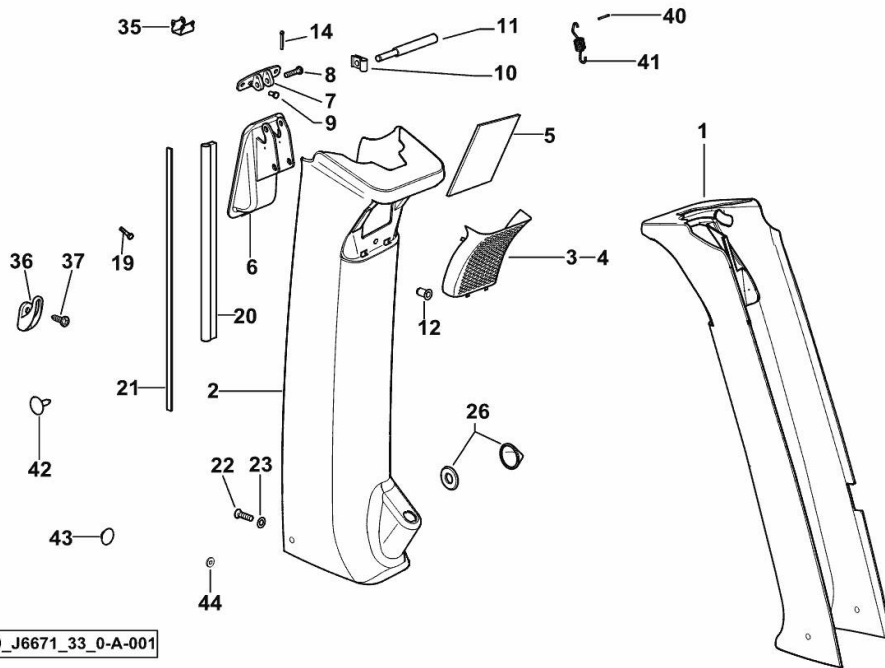
**INTERNAL CAB LININGS**

Fig.	P/n	QTY	Name
------	-----	-----	------

**Notes:**

[R6.160 HI-PROFILE DCR -> 20001]

1	0.010.9924.0/40	1	lining sx/lh/li
2	0.010.9925.0/40	1	lining dx/rh/re
3	04429279	1	grille sx/lh/li
4	04429280	1	grille dx/rh/re
5	0.011.3775.0	2	filter
6	0.010.9688.0/10	2	switch
7	0.010.9689.0/10	2	support
8	2.1671.111.2	2	pin 6x38
9	2.1856.307.0	4	rivet 4.8x12
10	2.1680.004.2	2	clip Ø 8
11	2.1699.523.2	2	pin
12	2.1142.010.2	2	insert m 6
14	2.1690.106.2	2	split pin 1.6x16
19	2.0112.005.2	2	screw m 6 p.1 x 16
20	0.011.4085.0/20	2	gasket mm 390
21	0.011.0057.0/10	2	gasket
22	2.0350.405.3	2	screw m 4.2 x 16
23	2.1310.001.2	2	flat washer 5.3 x 10
26	04419538	8	cap
35	04418149/10	2	clip
36	0.007.6732.0	1	coat hanger
37	2.0350.255.3	2	screw m 3.5 x 16 -AB-
40	2.1630.111.0	2	roll pin 2.5x24
41	2.4049.216.2/10	2	spring
42	01175900	4	plug
43	04425759	2	cap
44	2.6999.053.0	8	clip D5x15



***Buy Now***



Our support email:

[ebooklibonline@outlook.com](mailto:ebooklibonline@outlook.com)