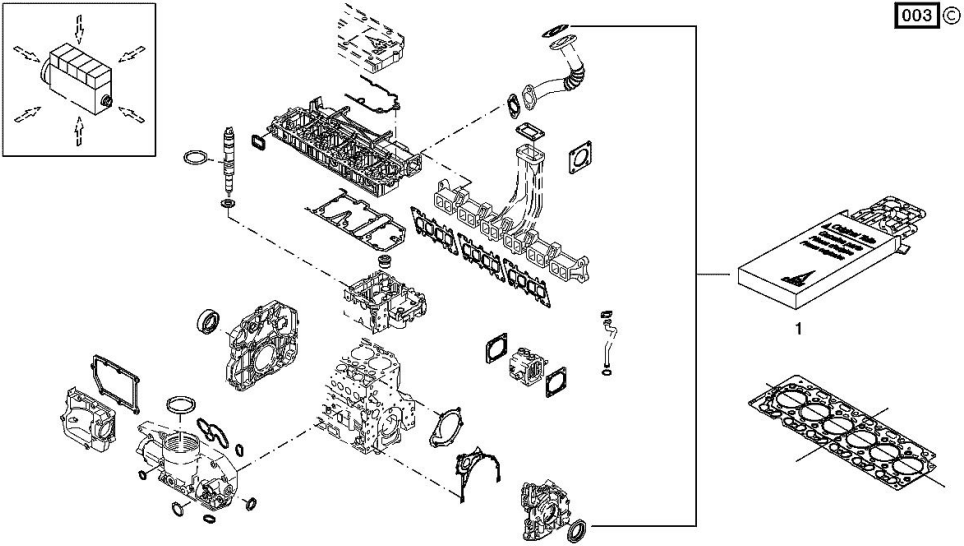


Fig.	P/n	QTY	Name
------	-----	-----	------

Notes:
[R6.160 HI-PROFILE DCR 4V]

Engine serial number:
10887667 10955570 10955574 10997052 11030672 11040989 11041453 11088813 11106947 11149344 11150497
11158305 11158920 11278679 11285648 11296504 11305968 11305970 11308445

1	02937590	1	gasket set THE KIT DOES NOT CONTAIN ALL THE GASKETS: SEE SM 0199-99-9449
---	----------	---	--------------------------------------------------------------------------------



CRANKCASE BREATHER

Fig.	P/n	QTY	Name
------	-----	-----	------

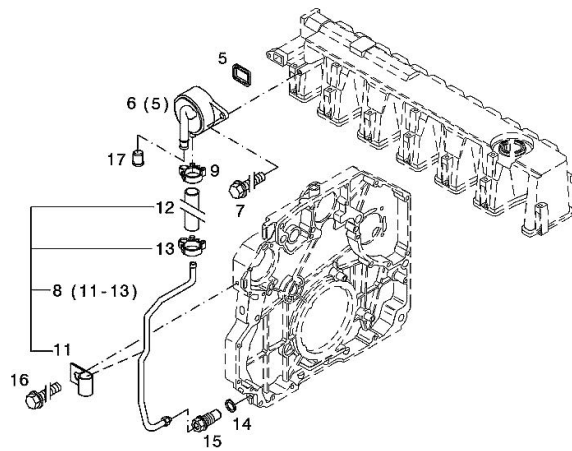
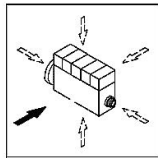
Notes:

[R6.160 HI-PROFILE DCR 4V]

Engine serial number:

10887667 10955570 10955574 10997052 11030672 11040989 11041453 11088813 11106947 11149344 11150497
11158305 11158920 11278679 11285648 11296504 11305968 11305970 11308445

002 ©



5	04298547	1	rubber plug
6	04905110	1	breather WITH POS.... (5)
7	01181432	2	screw m8x30 EN 1662 -F-M8X30-10.9-ZNAL-A
8	04504875	1	tube WITH POS.... 11-13
9	01182878	1	fascia H 3461 -F-13,0/8
11	02144961	1	fascia
12	04288505	1	rubber tube H 3407 -F8X14X97-EAM/ARAMID/EAM
13	01182878	1	fascia H 3461 -F-13,0/8
14	01118737	1	oil seal 22 x 27 DIN 7603 -A22X27-CU
15	04505853	1	pipe union
16	01181442	1	screw m6x12 EN 1662 -F-M6X12-10.9-ZNAL-A
17	01161302	1	bottom H 2873 -A25,5X22,8X17-PEWEICH

BLEEDING TUBE

Fig.	P/n	QTY	Name
------	-----	-----	------

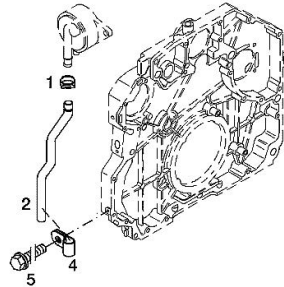
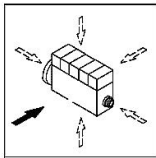
Notes:

[R6.160 HI-PROFILE DCR 4V]

Engine serial number:

10887667 10955570 10955574 10997052 11030672 11040989 11041453 11088813 11106947 11149344 11150497
 11158305 11158920 11278679 11285648 11296504 11305968 11305970 11308445

1	01178750	1	clamp DIN 3021 -A-29X15
2	04290751	1	tube
4	01173523	1	fascia DIN 3016 -1-A1-25X20-W1-2
5	01181433	1	screw EN 1662 -F-M8X20-LG2,5-10.9-ZNAL-A



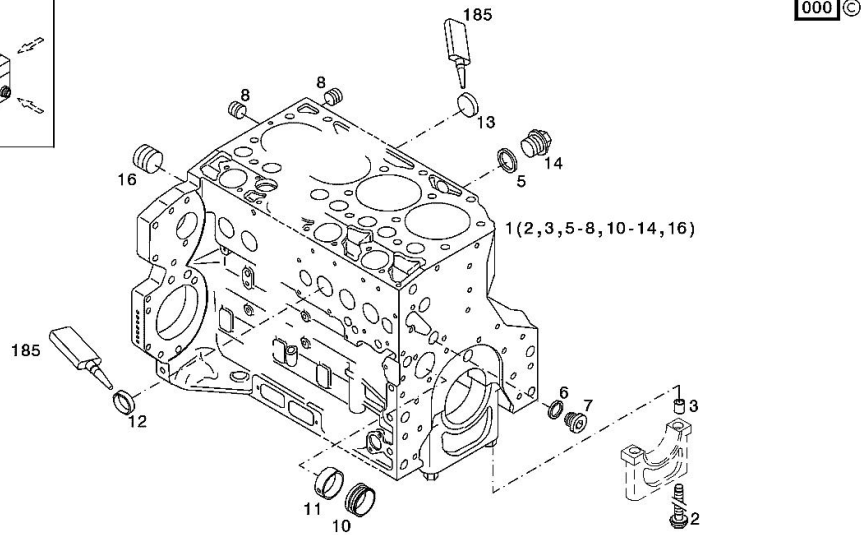
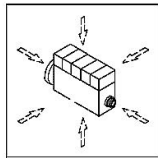
CRANKCASE

Fig.	P/n	QTY	Name
------	-----	-----	------

Notes:
[R6.160 HI-PROFILE DCR 4V]

Engine serial number:
10887667 10955570 10955574 10997052 11030672 11040989 11041453 11088813 11106947 11149344 11150497

1	04296592	1	crankcase WITH POS.... (2,3,5-8,10-14,16)
2	04254240	14	screw
3	04160764	14	bushing
5	01118693	2	gasket 14x20 DIN 7603 -A14X20-CU
6	01101342	1	oil seal DIN 7603 -D22X27-CU
7	04292706	1	plug
8	01182031	2	screw H 2812 -906-M14X1,5-ST-A3C-LOCTITE506
10	04251884	6	plug
11	04250086	1	ring
12	01148032	9	cover DIN 443 -A45-ZNPHR
13	01148031	5	plug DIN 443 -A36-ZNPHR
14	01100940	2	screw DIN 7604 -AM14X1,5-ST-A4C
16	04226536	1	bottom
185	01016125	1	guard H 0699 -DEUTZDW72-250ML



KURBELGEHAEUSE

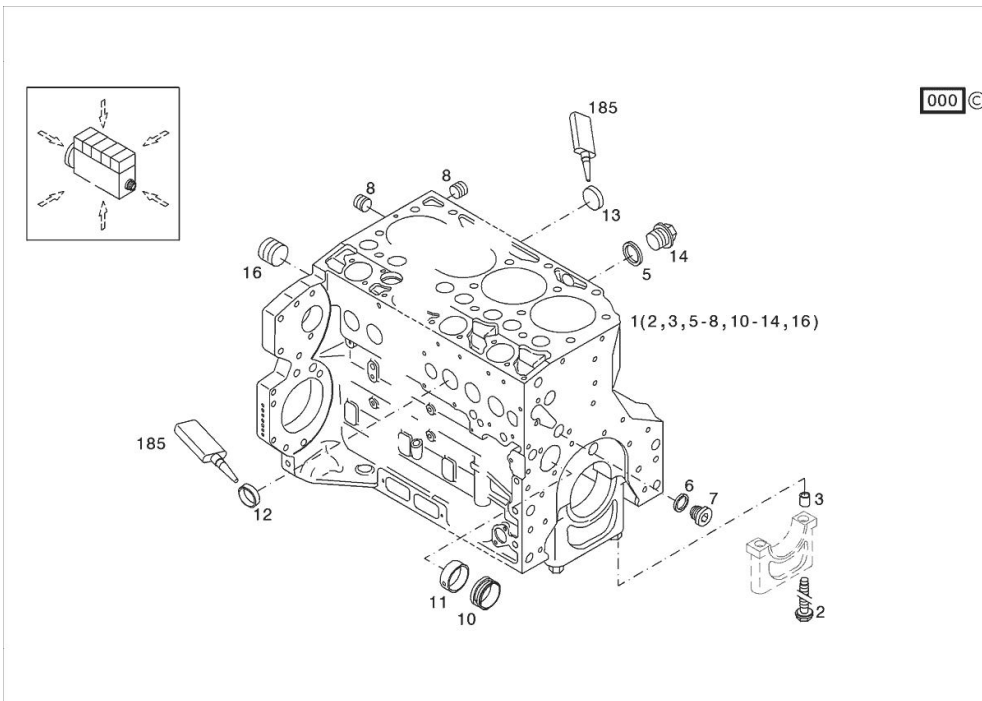
Fig.	P/n	QTY	Name
------	-----	-----	------

Notes:

[R6.160 HI-PROFILE DCR 4V]

Engine serial number:

11158305 11158920 11278679 11285648 11296504 11305968 11305970 11308445



185	01319910	1	guard
1	04506857	1	crankcase
2	04254240	14	screw 50 Nm , 90° , 90°
3	04160764	14	bushing
5	01118693	2	gasket 14x20 DIN 7603 -A14X20-CU
6	01101342	1	oil seal DIN 7603 -D22X27-CU
7	04292706	1	plug 80 Nm
8	01182031	2	screw 35 Nm H 2812 -906-M14X1,5-ST-A3C-LOCTITE506
10	04251884	6	plug
11	04250086	1	ring
12	01148032	9	cover DIN 443 -A45-ZNPHR
13	01148031	5	plug DIN 443 -A36-ZNPHR
14	01100940	2	screw 35 Nm DIN 7604 -AM14X1,5-ST-A4C
16	04226536	1	bottom 30 Nm

ACCESSORIES

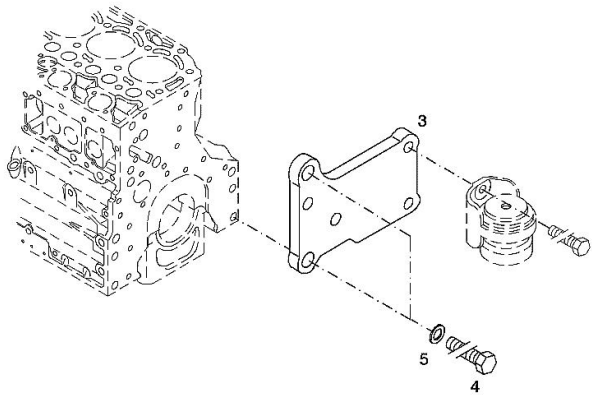
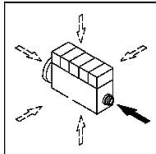
Fig.	P/n	QTY	Name
------	-----	-----	------

Notes:
 [R6.160 HI-PROFILE DCR 4V]

Engine serial number:
 10887667 10955570 10955574 10997052 11030672 11040989 11041453 11088813 11106947 11149344 11150497
 11158305 11158920 11278679 11285648 11296504 11305968 11305970 11308445

3	04288659	1	support
4	01148261	2	screw ISO 4017 -M16X40-10.9-ZNAL-A
5	01181400	2	washer H 2308 -18X25X1,5-A4C

006 ©



ACCESSORIES

Fig.	P/n	QTY	Name
------	-----	-----	------

Notes:

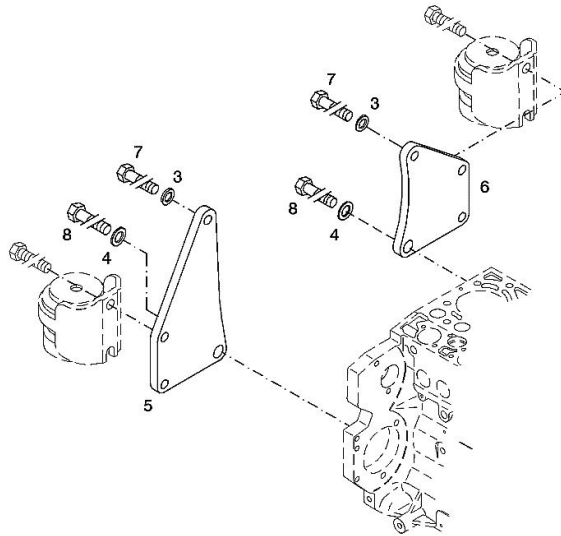
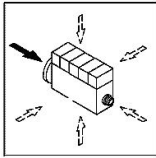
[R6.160 HI-PROFILE DCR 4V]

Engine serial number:

10887667 10955570 10955574 10997052 11030672 11040989 11041453 11088813 11106947 11149344 11150497
 11158305 11158920 11278679 11285648 11296504 11305968 11305970 11308445

003 ©

3	01182016	2	disc H 2308 -13X24X3-ZNAL-A
4	01181400	2	washer H 2308 -18X25X1,5-A4C
5	04206926	1	plate dx/rh/re
6	04206927	1	plate sx/lh/li
7	01148137	2	screw - UP TO MONTH OF ASSEMBLY (A) - FROM MONTH OF ASSEMBLY SEE POS. (B) A = 06.2009 B = POS. 950 DIN 931 -M12X75-10.9-ZNAL-A
8	01148037	2	screw UP TO MONTH OF ASSEMBLY (A) - FROM MONTH OF ASSEMBLY SEE POS. (B) A = 06.2009 B = POS. 951 ISO 4014 -M16X75-10.9-OELGESCHW
950	01149017	2	screw - FROM MONTH OF ASSEMBLY SEE POS. (B) - UP TO MONTH OF ASSEMBLY (A) FROM MONTH OF ASSEMBLY A = 07.2009 B = 7 DIN 34800 -BM12X75-10.9-ZNAL-A
951	01180235	2	screw - FROM MONTH OF ASSEMBLY SEE POS. (B) - UP TO MONTH OF ASSEMBLY (A) FROM MONTH OF ASSEMBLY A = 07.2009 B= Pos.8 H 2032 -HBM16X75-10.9-GESCHW



Buy Now



Our support email:

ebooklibonline@outlook.com