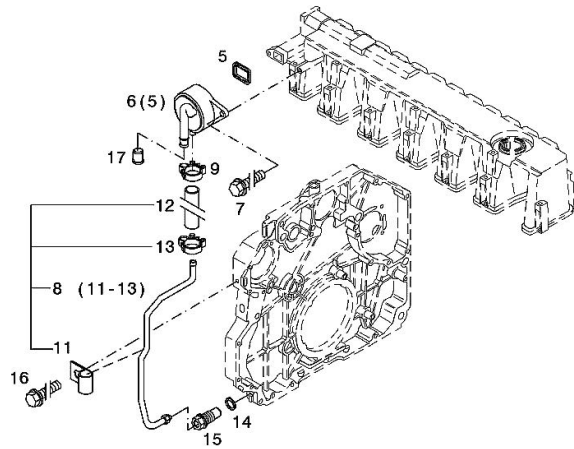
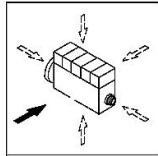


Section: B0 - ENGINE
CRANKCASE BREATHER

Fig.	P/n	QTY	Name
------	-----	-----	------

Notes:
 [R6.160 HI-PROFILE DCR]

Engine serial number:
 10573020 10573021 10661338 10661340 10661344 10661347 10661348 10688888 10691020 10692907 10704655
 10707788 10710353 10710355 10716429 10720456 10729049 10753707 10770324 10770368 10770373 10773284
 10810342 10837110 10840740 10841093



002 ©

5	04298547	1	rubber plug
6	04905110	1	breather WITH POS.... (5)
7	01181432	2	screw m8x30 EN 1662 -F-M8X30-10.9-ZNAL-A
8	04504876	1	tube WITH POS.... 11-13
9	01182878	1	fascia H 3461 -F-13,0/8
11	02144961	1	fascia
12	04288507	1	rubber tube H 3407 -F8X14X57-EAM/ARAMID/EAM
13	01182878	1	fascia H 3461 -F-13,0/8
14	01118737	1	oil seal 22 x 27 DIN 7603 -A22X27-CU
15	04505853	1	pipe union
16	01181442	1	screw m6x12 EN 1662 -F-M6X12-10.9-ZNAL-A
17	01161302	1	bottom H 2873 -A25,5X22,8X17-PEWEICH

OIL FILLER NECK

Fig.	P/n	QTY	Name
------	-----	-----	------

Notes:

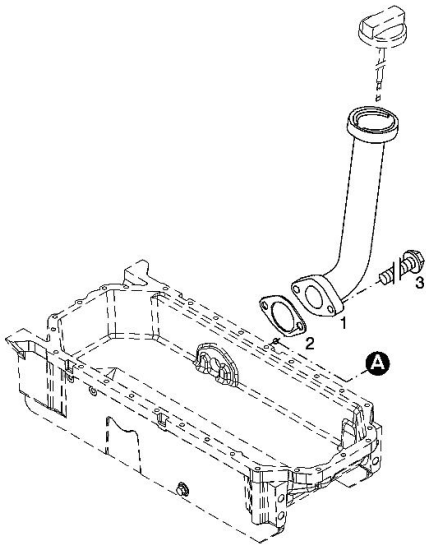
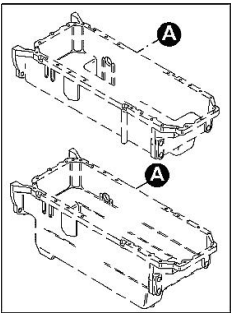
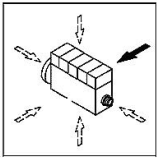
[R6.160 HI-PROFILE DCR]

Engine serial number:

10573020 10573021 10661338 10661340 10661344 10661347 10661348 10688888 10691020 10692907 10704655
 10707788 10710353 10710355 10716429 10720456 10729049 10753707 10770324 10770368 10770373 10773284
 10810342 10837110 10840740 10841093

1	04207099	1	tube
2	01178421	1	gasket
3	01181433	2	screw
			30 Nm

001 ©



ACCESSORIES

Fig.	P/n	QTY	Name
------	-----	-----	------

Notes:

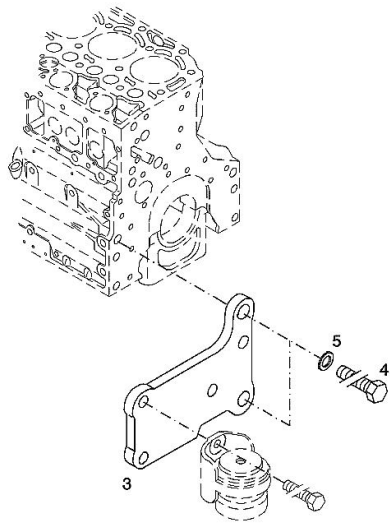
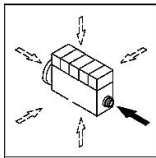
[R6.160 HI-PROFILE DCR]

Engine serial number:

10573020 10573021 10661338 10661340 10661344 10661347 10661348 10688888 10691020 10692907 10704655
 10707788 10710353 10710355 10716429 10720456 10729049 10753707 10770324 10770368 10770373 10773284
 10810342 10837110 10840740 10841093

3	04288660	1	support
4	01148261	2	screw ISO 4017 -M16X40-10.9-ZNAL-A
5	01181400	2	washer H 2308 -18X25X1,5-A4C

003 ©



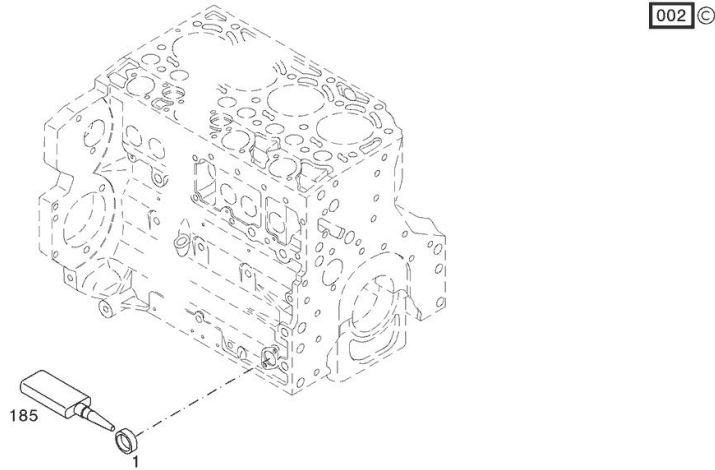
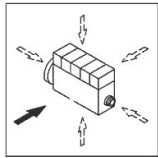
PLUG

Fig.	P/n	QTY	Name
------	-----	-----	------

Notes:

[R6.160 HI-PROFILE DCR]

1	01148031	1	plug DIN 443 -A36-ZNPHR
185	01319911	1	sealing compound ml. 50



PISTON COOL.NOZZLE

Fig.	P/n	QTY	Name
------	-----	-----	------

Notes:

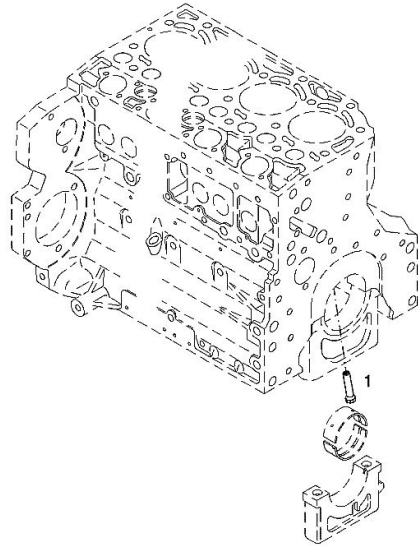
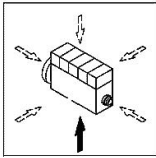
[R6.160 HI-PROFILE DCR]

Engine serial number:

10573020 10573021 10661338 10661340 10661344 10661347 10661348 10688888 10691020 10692907 10704655
 10707788 10710353 10710355 10716429 10720456 10729049 10753707 10770324 10770368 10770373 10773284
 10810342 10837110 10840740 10841093

1	04207521	1	sprayers
---	----------	---	----------

001 ©



Section: B0 - ENGINE
KURBELGEHAEUSE

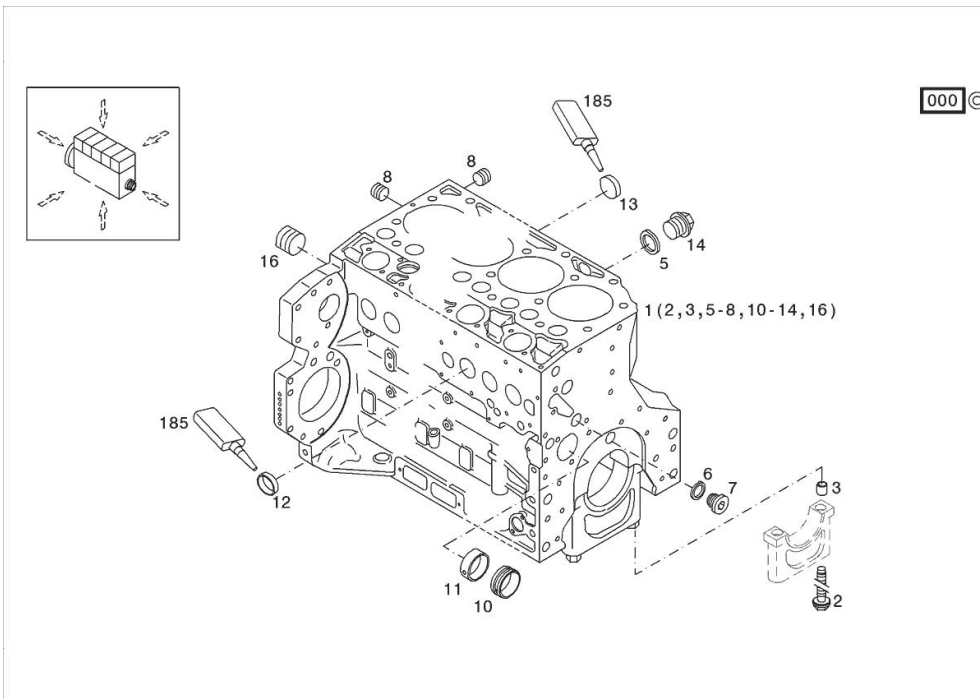
Fig.	P/n	QTY	Name
------	-----	-----	------

Notes:

[R6.160 HI-PROFILE DCR]

Engine serial number:

10573020 10573021 10661338 10661340 10661344 10661347 10661348 10688888 10691020 10692907 10704655
 10707788 10710353 10710355 10716429 10720456 10729049 10753707 10770324 10770368 10770373 10773284
 10810342 10837110 10840740 10841093



185	01319910	1	guard
1	04296586	1	crankcase kpl. MIT POS.... WITH ITEM.... (2,3,5-8,10-14,16)
2	04254240	14	screw 50 Nm , 90° , 90°
3	04160764	14	bushing
5	01118693	2	gasket 14x20 DIN 7603 -A14X20-CU
6	01101342	1	oil seal DIN 7603 -D22X27-CU
7	04292706	1	plug 80 Nm
8	01182031	2	screw 35 Nm H 2812 -906-M14X1,5-ST-A3C-LOCTITE506
10	04251884	6	plug
11	04250086	1	ring
12	01148032	9	cover DIN 443 -A45-ZNPHR
13	01148031	6	plug DIN 443 -A36-ZNPHR
14	01100940	2	screw 35 Nm DIN 7604 -AM14X1,5-ST-A4C
16	04226536	1	bottom 30 Nm

FILLER CAP

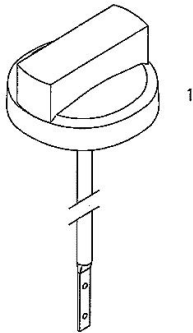
Fig.	P/n	QTY	Name
------	-----	-----	------

Notes:
[R6.160 HI-PROFILE DCR]

Engine serial number:
10573020 10573021 10661338 10661340 10661344 10661347 10661348 10688888 10691020 10692907 10704655
10707788 10710353 10710355 10716429 10720456 10729049 10753707 10770324 10770368 10770373 10773284
10810342 10837110 10840740 10841093

1	01180341	1	plug H 2875 -B2-OL40-166X4X145X15
---	----------	---	--------------------------------------

000



Buy Now



Our support email:

ebooklibonline@outlook.com