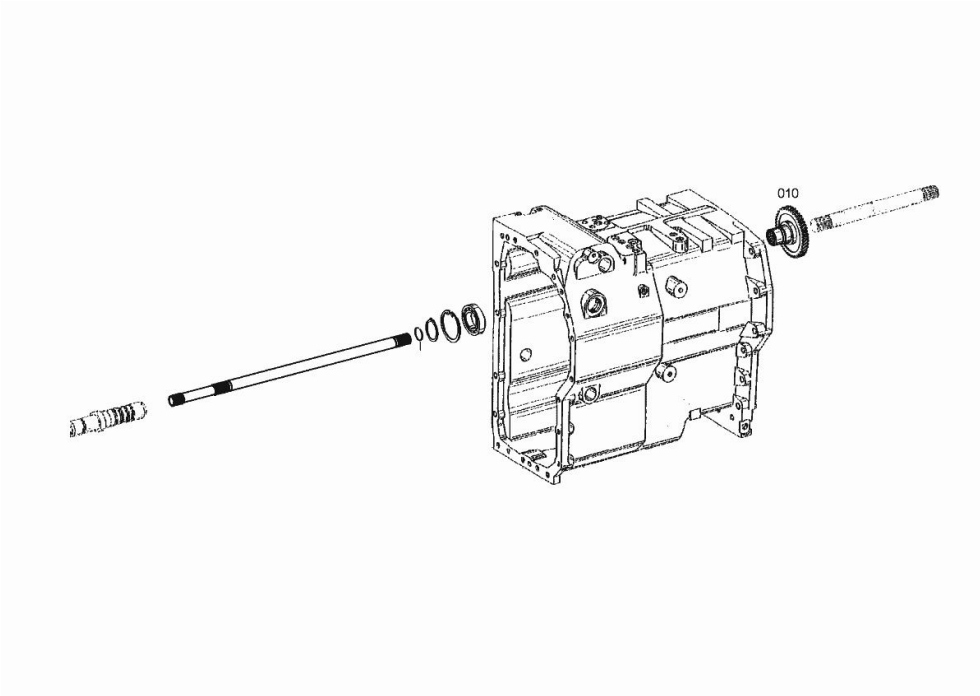


Section: GEAR  
P.T.O. SHAFT

Fig.	P/n	QTY	Name
------	-----	-----	------

Notes:  
[R6.165 S]

10	0.010.3843.0	1	gear Z = 46 -> (...)
10	04415801	1	gear wheel Z = 46 (...) <-



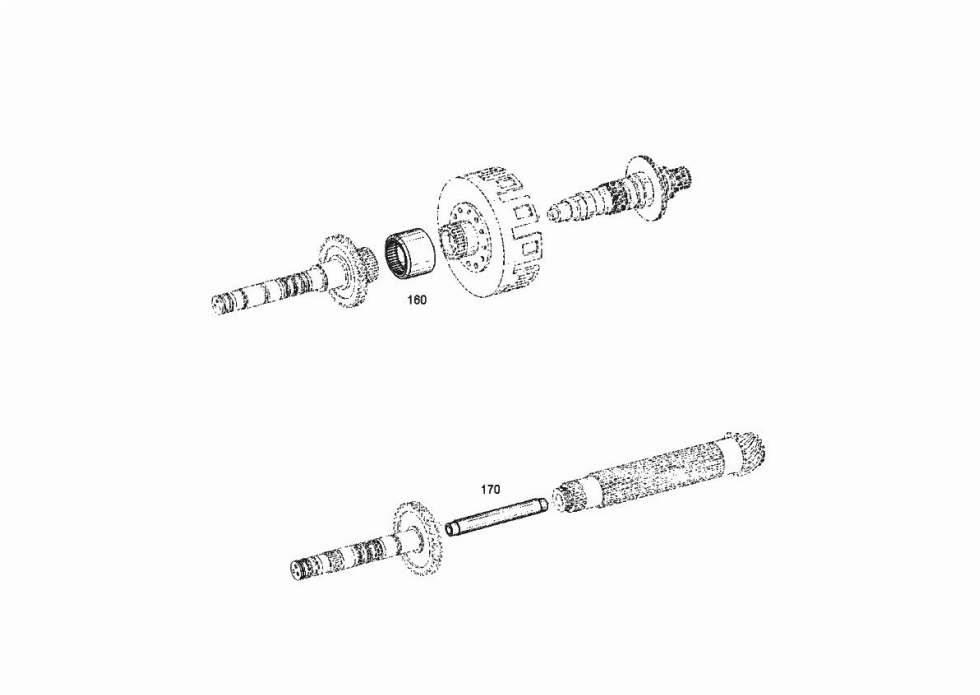
**COMPLETION - WITHOUT CREEP SPEED**

Fig.	P/n	QTY	Name
------	-----	-----	------

**Notes:**

[R6.165 S]

160	04416816	1	bushing
170	04423259	1	tube



Section: GEAR

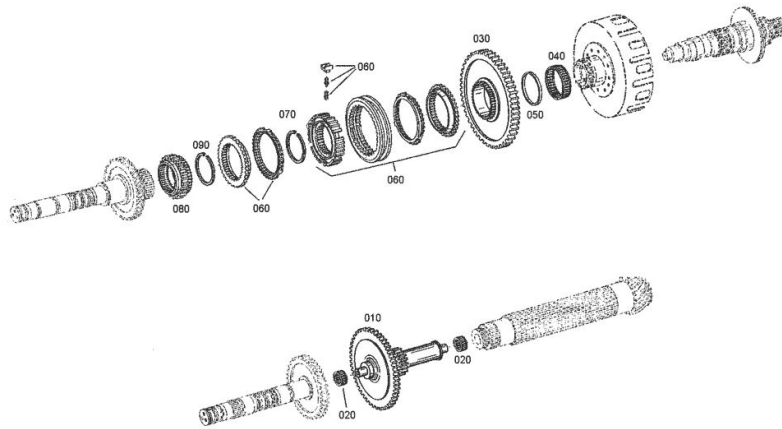
**SUPER REDUCTION GEAR UNIT**

Fig.	P/n	QTY	Name
------	-----	-----	------

**Notes:**

[R6.165 S]

10	04416812	1	shaft z = 59
20	04415803	2	bearing
30	04416813	1	gear z = 73
40	04415805	1	roller cage
50	04415806	1	ring
60	0.010.3841.0	1	lock synchronizer
70	04415809	1	circlip sw 65
80	04416815	1	gear Z = 31
90	04415811	1	circlip sw 60

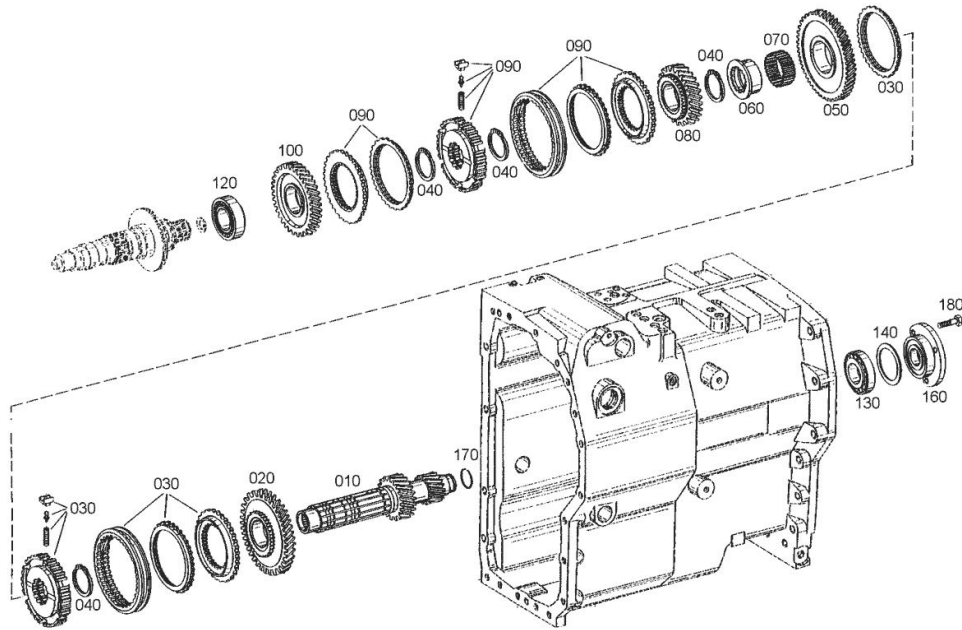




Section: GEAR

LAYSHAFT

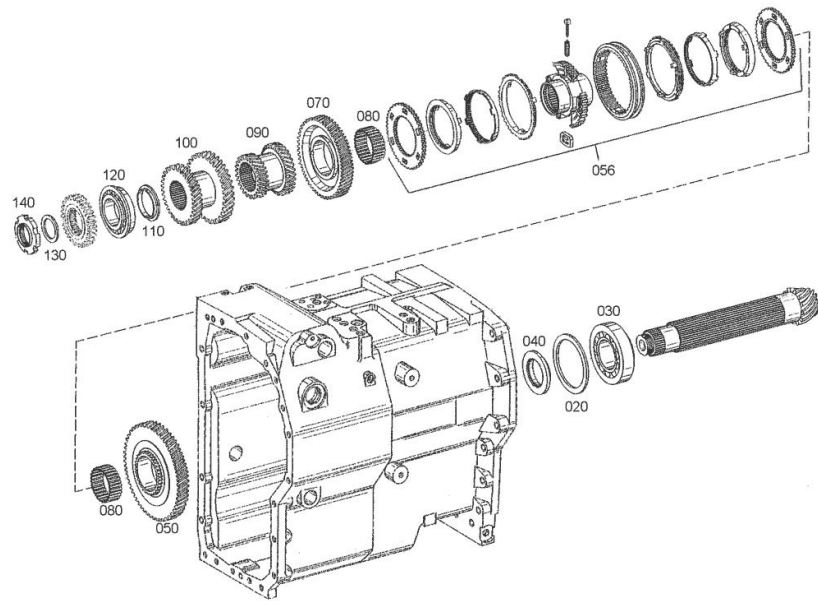
Fig.	P/n	QTY	Name
140	04436335	1	shim mm 1.925
140	04436336	1	shim mm 1.975
160	04415760	1	cover
170	04415761	1	ring 35x2
180	0.010.2616.1	3	screw m 10x32



Section: GEAR  
**MAIN SHAFT**

Fig.	P/n	QTY	Name
------	-----	-----	------

Notes:  
 [R6.165 S]



20	0.010.2849.2	1	shim s = 3.75
20	0.010.2850.0	1	shim s = 3.70
20	0.010.2850.1	1	shim s = 3.65
20	0.010.2850.2	1	shim s = 3.60
20	0.010.2851.0	1	shim s = 3.55
20	0.010.2851.1	1	shim s = 3.50
20	0.010.2851.2	1	shim s = 3.45
20	0.010.2852.0	1	shim s = 3.40
20	0.010.2852.1	1	shim s = 3.76
20	0.010.2852.2	1	shim s = 3.77
20	0.010.2853.0	1	shim s = 3.78
20	0.010.2853.1	1	shim s = 3.79
20	0.010.2853.2	1	shim s = 3.81
20	0.010.2854.0	1	shim s = 3.82
20	0.010.2854.1	1	shim s = 3.83
20	0.010.2854.2	1	shim s = 3.84
20	0.010.2855.0	1	shim S = 3.86
20	0.010.2855.1	1	shim s = 3.87
20	0.010.2855.2	1	shim s = 3.88
20	0.010.2856.0	1	shim s = 3.89
20	0.010.2856.1	1	shim s = 3.91
20	0.010.2856.2	1	shim s = 3.92
20	0.010.2857.0	1	shim s = 3.93
20	0.010.2857.1	1	shim s = 3.94
20	04417170	1	shim s = 3.95
20	04417171	1	shim s = 3.9
20	04417172	1	shim s = 3.85
20	04417173	1	shim s = 3.8
20	04417174	1	shim s = 4.0
20	04417175	1	shim s = 4.05
20	04417176	1	shim s = 4.10
30	04416073	1	roller bearing
40	04416074	1	shim
50	04423721	1	gear V2=Y
56	0.010.3840.2	1	lock synchronizer
70	04427568	1	gear V2=Y
80	04427570	2	roller cage
90	0.010.3258.1	1	gear Z = 25
100	04427571	1	gear wheel z=39/41
110	0.010.2858.0	1	shim s = 10.25
110	0.010.2858.1	1	shim s = 10.45

Section: GEAR  
**MAIN SHAFT**

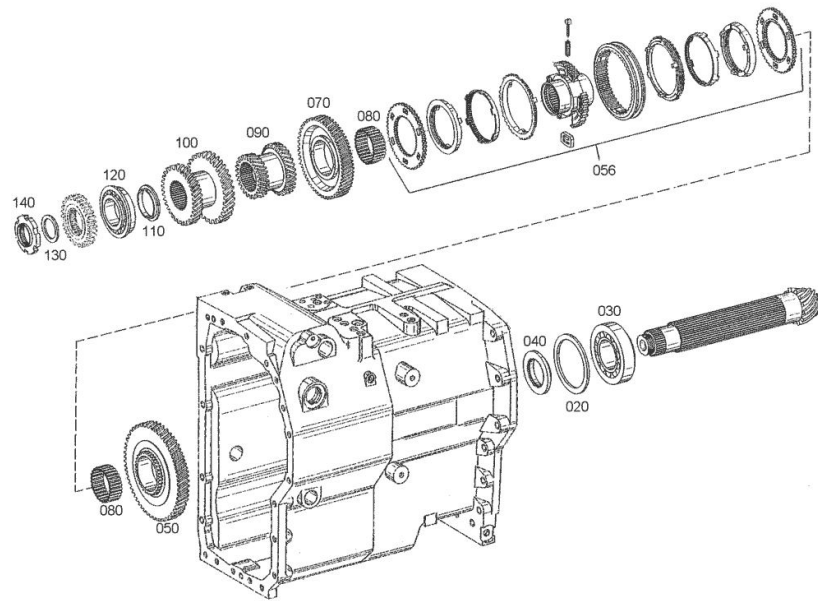


Fig.	P/n	QTY	Name
110	0.010.2858.2	1	shim s = 10.50
110	0.010.2859.0	1	shim s = 10.55
110	0.010.2859.1	1	shim s = 10.60
110	04417159	1	shim s = 10.4
110	04417160	1	shim s = 10.3
110	04417161	1	shim s = 10.2
110	04417162	1	shim s = 10.1
110	04417163	1	shim s = 10.0
110	04417164	1	shim s = 9.9
110	04417165	1	shim s = 9.8
110	04417166	1	shim s = 9.7
110	04417167	1	shim s = 9.6
110	04424444	1	shim s = 9.85
110	04424445	1	shim s = 9.95
110	04424446	1	shim s = 10.05
110	04424447	1	shim s = 10.15
110	04435222	1	shim s = 10.35
120	04416082	1	roller bearing
130	0.010.2859.2	1	shim s = 3.75
130	0.010.2860.0	1	shim s = 3.80
130	0.010.2860.1	1	shim s = 3.85
130	0.010.2860.2	1	shim s = 3.90
130	0.010.2861.0	1	shim s = 3.95
130	0.010.2861.1	1	shim s = 4.00
130	04417146	1	shim s = 3.4
130	04417147	1	shim s = 3.35
130	04417148	1	shim s = 3.3
130	04417149	1	shim s = 3.25
130	04417150	1	shim s = 3.2
130	04417151	1	shim s = 3.15
130	04417152	1	shim s = 3.1
130	04417153	1	shim s = 3.45
130	04417154	1	shim s = 3.50
130	04417155	1	shim s = 3.55
130	04417156	1	shim s = 3.60
130	04417157	1	shim s = 3.65
130	04417158	1	shim s = 3.70
130	04424442	1	shim s = 2.90
130	04424443	1	shim s = 3.00
140	04415763	1	ring nut

**Buy Now**



Our support email:

[ebooklibonline@outlook.com](mailto:ebooklibonline@outlook.com)