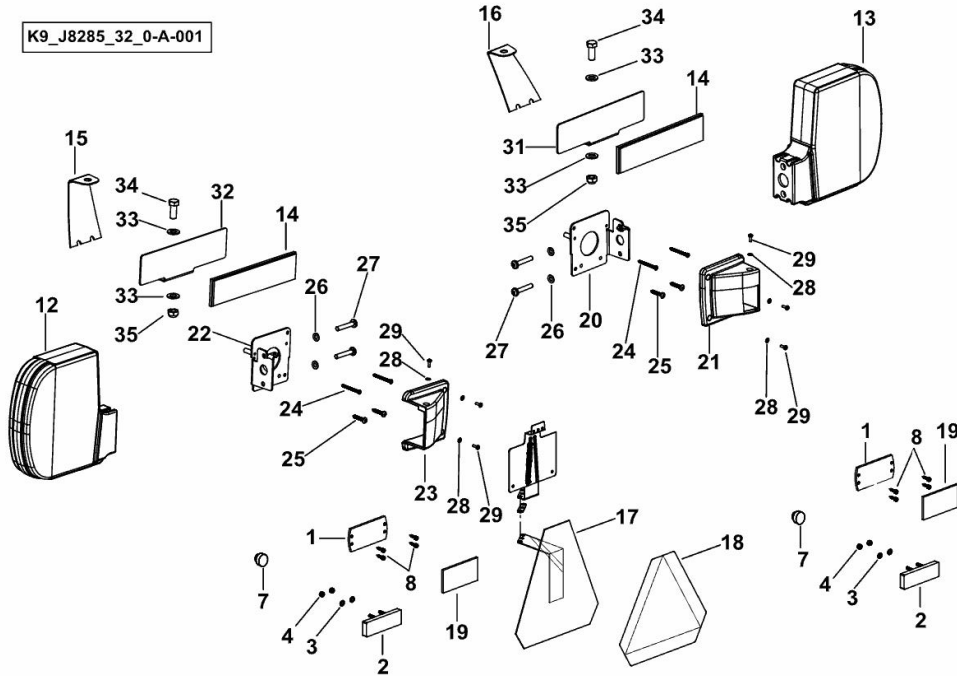


REAR LIGHTING SYSTEM

Fig.	P/n	QTY	Name
------	-----	-----	------

Notes:

- WITHOUT EXTENSIONS FOR FENDERS - U.S.A. EXPORT [R6.175 DCR -> 10010 -> 30000]



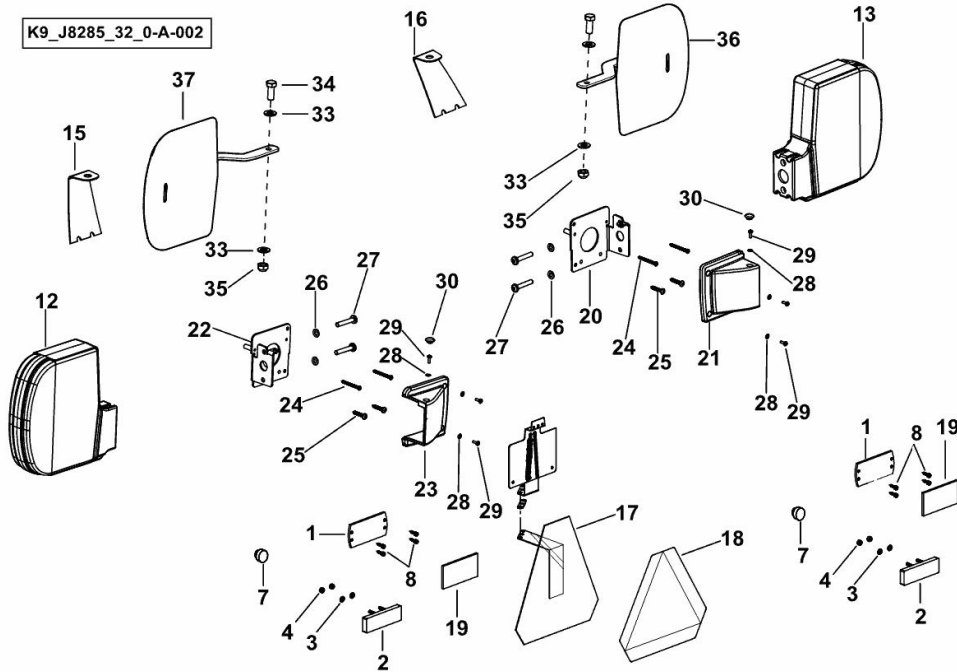
1	0.012.9499.0	2	small plate
2	2.8349.012.0	2	reflector
3	2.1310.001.2	4	flat washer 5.3 x 10
4	2.1011.102.2	4	nut m 5 p.0.7
7	01172220	2	bottom
8	2.0350.454.3	8	screw
12	2.8059.029.0	1	lamp sx/lh/li ☞ 2.8059.029.0
13	2.8059.031.0	1	lamp dx/rh/re ☞ 2.8059.031.0
14	2.8349.013.0	2	reflector
15	04419696	1	plate sx/lh/li
16	04419697	1	plate dx/rh/re
17	04455095.3	1	support
18	0.013.4584.0	1	plate SMV
19	0.012.9978.0	2	diaphragm
20	0.017.1012.2	1	support dx/rh/re
21	0.017.1014.0	1	front grille dx/rh/re
22	0.017.1013.2	1	support sx/lh/li
23	0.017.1015.0	1	front grille sx/lh/li
24	04414116	4	screw 4.2x50
25	2.0350.659.6	4	screw 5.5x32
26	2.1310.004.2	4	flat washer 8.4x17
27	2.0330.512.2	4	screw m8x45
28	2.1310.028.2	6	flat washer
29	2.0330.204.2	6	screw m 4.0 x 12
31	0.017.0976.0	1	lamp support
32	0.017.0978.0	1	support
33	2.1310.007.2	4	flat washer 13 x 24
34	2.0114.411.2	2	screw m 12 p.1.75 x 30
35	2.1121.009.2	2	self-locking nut m 12 p.1.5

REAR LIGHTING SYSTEM

Fig.	P/n	QTY	Name
------	-----	-----	------

Notes:

- WITHOUT EXTENSIONS FOR FENDERS - U.S.A. EXPORT [R6.175 DCR -> 10010 -> 30000]



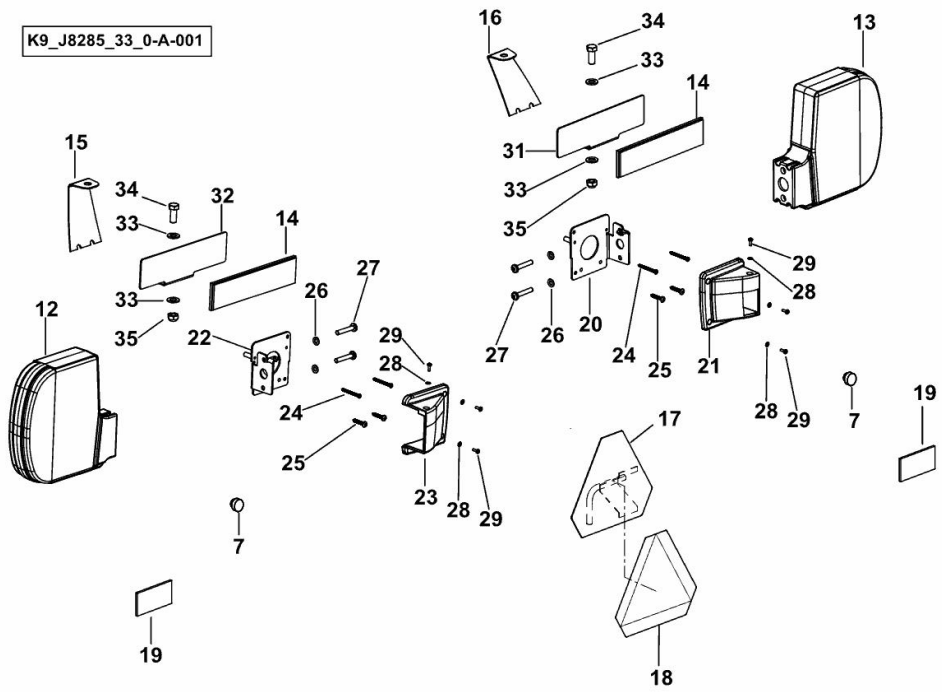
1	0.012.9499.0	2	small plate
2	2.8349.012.0	2	reflector
3	2.1310.001.2	4	flat washer 5.3 x 10
4	2.1011.102.2	4	nut m 5 p.0.7
7	01172220	2	bottom
8	2.0350.454.3	8	screw
12	2.8059.029.0	1	lamp sx/lh/li ☞ 2.8059.029.0
13	2.8059.031.0	1	lamp dx/rh/re ☞ 2.8059.031.0
15	04419696	1	plate sx/lh/li
16	04419697	1	plate dx/rh/re
17	04455095.3	1	support
18	0.013.4584.0	1	plate SMV
19	0.012.9978.0	2	diaphragm
20	0.017.1012.2	1	support dx/rh/re
21	0.017.1014.0	1	front grille dx/rh/re
22	0.017.1013.2	1	support sx/lh/li
23	0.017.1015.0	1	front grille sx/lh/li
24	04414116	4	screw 4.2x50
25	2.0350.659.6	4	screw 5.5x32
26	2.1310.004.2	4	flat washer 8.4x17
27	2.0330.512.2	4	screw m8x45
28	2.1310.028.2	6	flat washer
29	2.0330.204.2	6	screw m 4.0 x 12
30	2.6070.001.0	2	plug
33	2.1310.006.2	4	flat washer 10.5x21
34	2.0114.311.2	2	screw m 10 p.1.25 x 30
35	2.1121.007.2	2	nut m 10 p.1.5
36	0.018.2523.2	2	bracket dx/rh/re
37	0.018.2521.2	2	bracket sx/lh/li

REAR LIGHTING SYSTEM

Fig.	P/n	QTY	Name
------	-----	-----	------

Notes:

- EXPORT U.S.A. - FOR TYPES WITH FENDER EXTENSIONS [R6.175 DCR -> 10010 -> 30000]



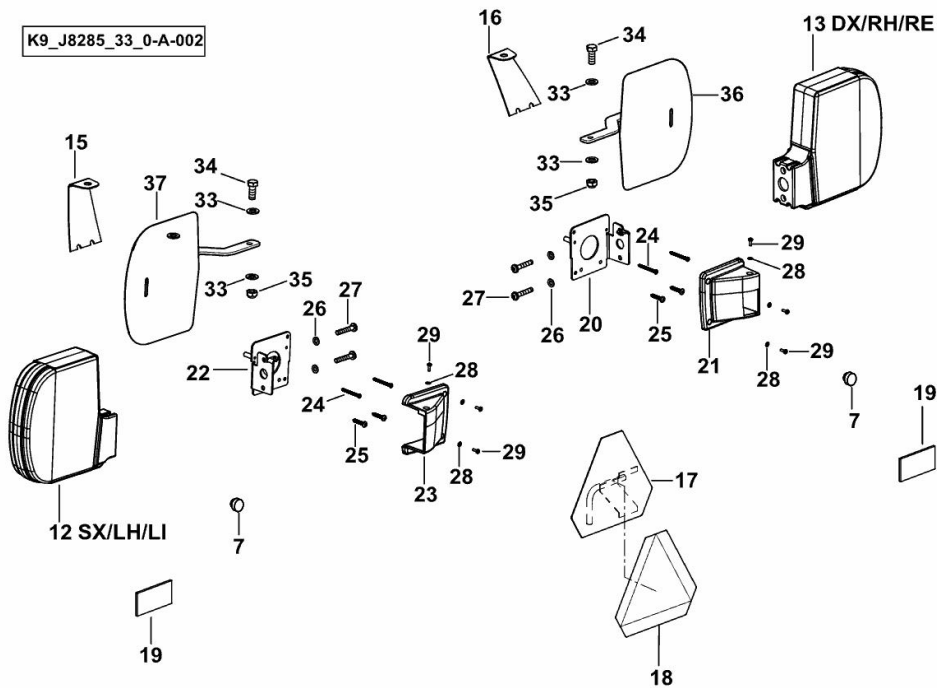
7	01172220	2	bottom
12	2.8059.029.0	1	lamp sx/lh/li ☞ 2.8059.029.0
13	2.8059.031.0	1	lamp dx/rh/re ☞ 2.8059.031.0
14	2.8349.013.0	2	reflector
15	04419696	1	plate sx/lh/li
16	04419697	1	plate dx/rh/re
17	04452715.4	1	support
18	0.013.4584.0	1	plate SMV
19	0.012.9978.0	2	diaphragm
20	0.017.1012.2	1	support dx/rh/re
21	0.017.1014.0	1	front grille dx/rh/re
22	0.017.1013.2	1	support sx/lh/li
23	0.017.1015.0	1	front grille sx/lh/li
24	04414116	4	screw 4.2x50
25	2.0350.659.6	4	screw 5.5x32
26	2.1310.004.2	4	flat washer 8.4x17
27	2.0330.512.2	4	screw m8x45
28	2.1310.028.2	6	flat washer
29	2.0330.204.2	6	screw m 4.0 x 12
31	0.017.0976.0	1	lamp support
32	0.017.0978.0	1	support
33	2.1310.007.2	4	flat washer 13 x 24
34	2.0114.411.2	2	screw m 12 p.1.75 x 30
35	2.1121.009.2	2	self-locking nut m 12 p.1.5

REAR LIGHTING SYSTEM

Fig.	P/n	QTY	Name
------	-----	-----	------

Notes:

- EXPORT U.S.A. - FOR TYPES WITH FENDER EXTENSIONS [R6.175 DCR -> 10010 -> 30000]



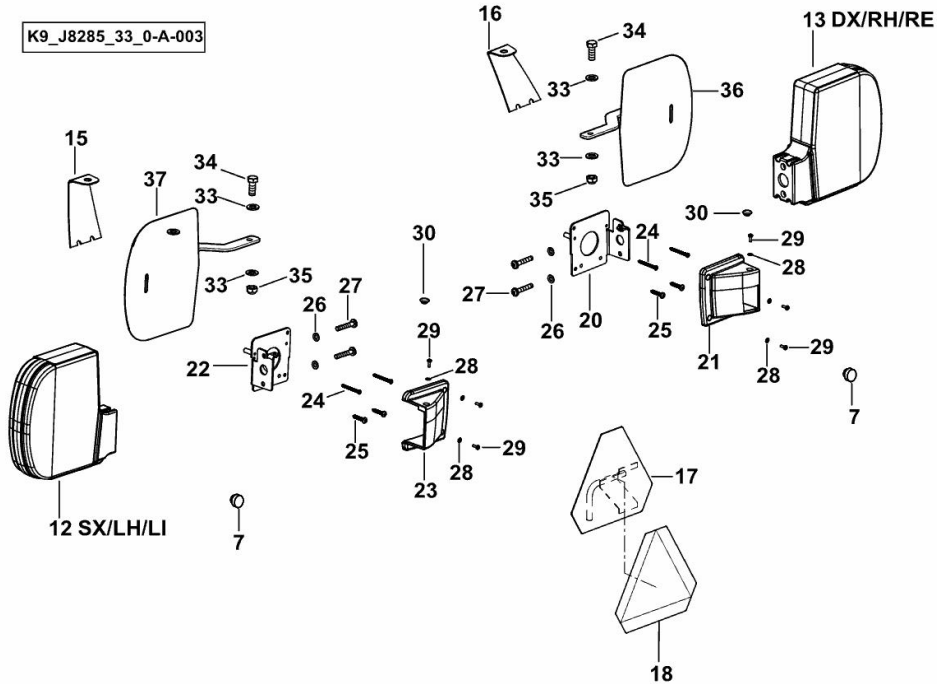
7	01172220	2	bottom
12	2.8059.029.0	1	lamp sx/lh/li ☞ 2.8059.029.0
13	2.8059.031.0	1	lamp dx/rh/re ☞ 2.8059.031.0
15	04419696	1	plate sx/lh/li
16	04419697	1	plate dx/rh/re
17	04452715.4	1	support
18	0.013.4584.0	1	plate SMV
19	0.012.9978.0	2	diaphragm
20	0.017.1012.2	1	support dx/rh/re
21	0.017.1014.0	1	front grille dx/rh/re
22	0.017.1013.2	1	support sx/lh/li
23	0.017.1015.0	1	front grille sx/lh/li
24	04414116	4	screw 4.2x50
25	2.0350.659.6	4	screw 5.5x32
26	2.1310.004.2	4	flat washer 8.4x17
27	2.0330.512.2	4	screw m8x45
28	2.1310.028.2	6	flat washer
29	2.0330.204.2	6	screw m 4.0 x 12
33	2.1310.007.2	4	flat washer 13 x 24
34	2.0114.411.2	2	screw m 12 p.1.75 x 30
35	2.1121.009.2	2	self-locking nut m 12 p.1.5
36	0.018.2523.2	2	bracket dx/rh/re
37	0.018.2521.2	2	bracket sx/lh/li

REAR LIGHTING SYSTEM

Fig.	P/n	QTY	Name
------	-----	-----	------

Notes:

- EXPORT U.S.A. - FOR TYPES WITH FENDER EXTENSIONS [R6.175 DCR -> 10010 -> 30000]



7	01180575	1	plug
12	2.8059.029.0	1	lamp sx/lh/li ☞ 2.8059.029.0
13	2.8059.031.0	1	lamp dx/rh/re ☞ 2.8059.031.0
15	04419696	1	plate sx/lh/li
16	04419697	1	plate dx/rh/re
17	04452715.4	1	support
18	0.013.4584.0	1	plate SMV
20	0.017.1012.2	1	support dx/rh/re
21	0.017.1014.0	1	front grille dx/rh/re
22	0.017.1013.2	1	support sx/lh/li
23	0.017.1015.0	1	front grille sx/lh/li
24	04414116	4	screw 4.2x50
25	2.0350.659.6	4	screw 5.5x32
26	2.1310.004.2	4	flat washer 8.4x17
27	2.0330.512.2	4	screw m8x45
28	2.1310.028.2	6	flat washer
29	2.0330.204.2	6	screw m 4.0 x 12
30	2.6070.001.0	2	plug
33	2.1310.006.2	4	flat washer 10.5x21
34	2.0114.311.2	2	screw m 10 p.1.25 x 30
35	2.1121.007.2	2	nut m 10 p.1.5
36	0.018.2523.2	2	bracket dx/rh/re
37	0.018.2521.2	2	bracket sx/lh/li

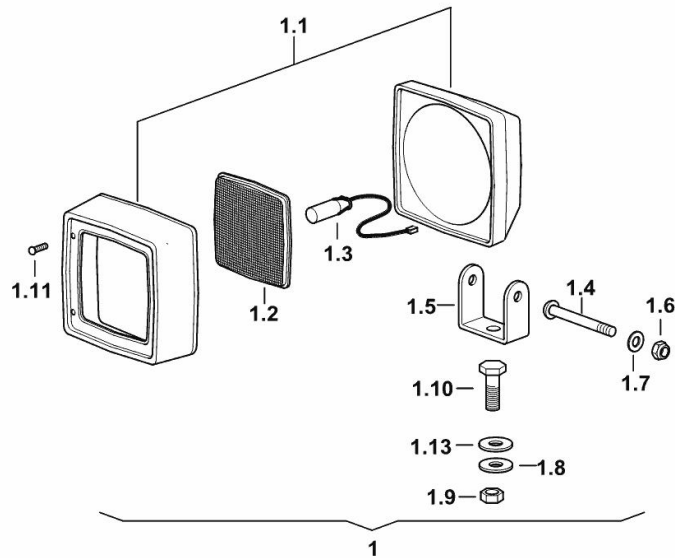
LOWER REAR WORKLIGHTS

Fig.	P/n	QTY	Name
------	-----	-----	------

Notes:

- FOR TYPES WITH FENDER EXTENSIONS [R6.175 DCR -> 10010 -> 30000]

1	04424195.4	2	headlight
1.1	04424197	1	body
1.2	04425581	1	glass
1.3	01102258	1	lamp H3
1.4	04426563	1	screw
1.5	04425583	2	bracket
1.6	04426569	1	nut
1.7	04426570	1	washer
1.8	04426578	1	washer
1.9	04426579	1	nut
1.10	01171772	1	screw
1.11	04426584	4	screw
1.13	04435586	1	small guard



K9_95071_41_0-A-001

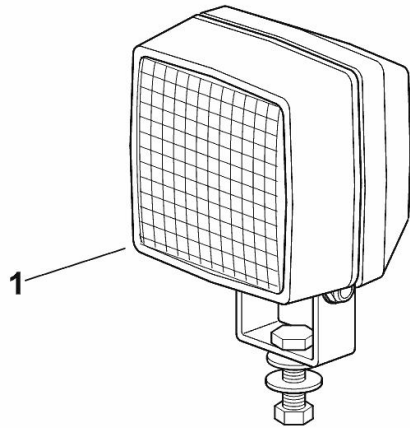
LOWER REAR WORKLIGHTS

Fig.	P/n	QTY	Name
------	-----	-----	------

Notes:

- WITHOUT EXTENSIONS FOR FENDERS [R6.175 DCR -> 10010 -> 30000]

1	04411937.4	2	headlight ☞ 04411937.4
---	------------	---	---------------------------



K9_95371_40_0-A-001

Buy Now



Our support email:

ebooklibonline@outlook.com