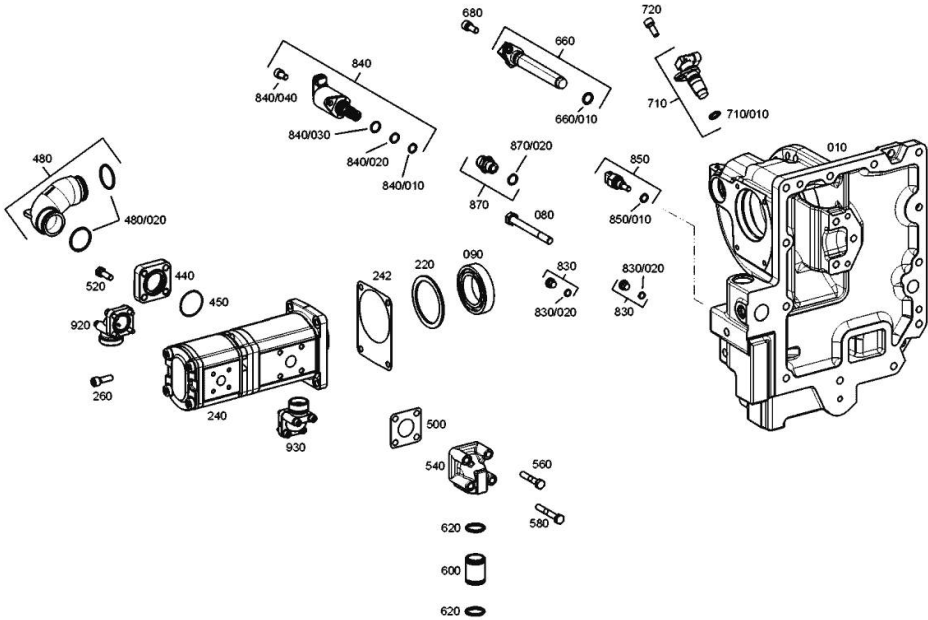


Section: D0 - TRANSMISSION
PUMP DRIVE - 2093 011 014

Fig.	P/n	QTY	Name
10	0.900.2053.3	1	box
80	0.010.2872.0	1	screw m 10 x 100
90	04415834	2	ball bearing
220	04417130	1	washer mm 3.00
240	0.900.2045.2	1	pump
242	04415921	1	gasket
260	01110576	4	screw
440	0.900.0051.2	1	flange
450	0.900.0051.3	1	oil seal
480	0.900.0051.4	1	manifold
480.20	0.010.3728.0	1	oil seal 33x2.5
500	04415827	1	gasket
520	04434498	4	screw m 8 x 25
540	04415836	1	manifold
560	04434549	2	screw m 8 x 45
580	0.010.3782.2	2	screw m 8 x 55
600	0.900.2050.3	1	tube
620	04415838	2	ring 23X2.5
660	04438436	1	speed sensor L = 125,1mm
660.10	04417747	1	oil seal 15.54x2.62
680	04434551	1	screw m 8 p.1.25 x 20
710	0.010.2874.2	1	speed sensor
710.10	04417747	1	oil seal 15.54x2.62
720	04434551	1	screw m 8 p.1.25 x 20
830	0.900.2136.4	2	plug
830.20	04415683	1	oil seal 8x1.5
840	0.900.0952.8	1	solenoid valve DV
840.10	0.900.1377.6	1	gasket 13 x 1.5
840.20	0.900.1377.5	1	gasket 12,4 x 1,78
840.30	0.900.1377.7	1	gasket 14x1.78
840.40	0.900.1377.8	1	screw m 8 x 16
850	0.900.0800.6	1	temperature gauge
850.10	0.900.0801.6	1	ring 11x2 ZFN 744 FPM-80-10
870	0.900.1381.5	1	vent
870.20	02315162	1	oil seal 13x2
920	0.900.1459.5	1	flange
930	0.900.1466.2	1	flange



Section: D0 - TRANSMISSION
PUMP DRIVE - 2093 011 014

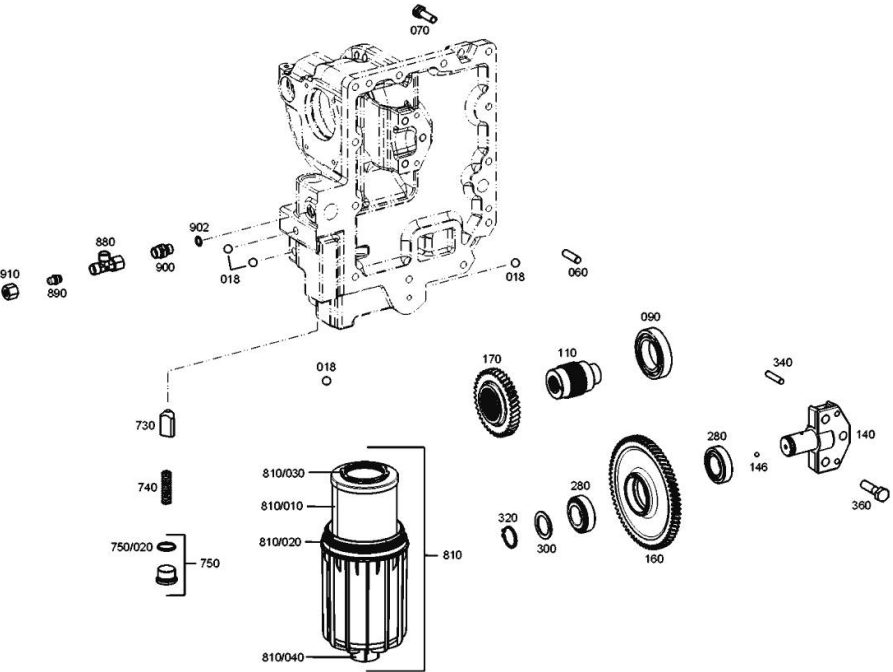
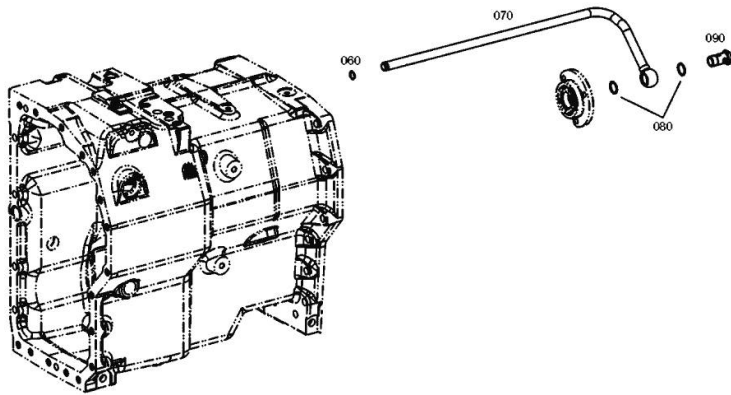


Fig.	P/n	QTY	Name
18	04415830	4	ball 12 mm
60	04415833	2	cylindrical plug 10 m 6x35
70	04434540	11	screw m 10 x 35
90	04415834	2	ball bearing
110	0.900.0488.6	1	bush z=38
140	04415918	1	bearing block
146	04415919	1	ball
160	0.900.0884.6	1	gear z=71
170	0.900.0884.7	1	gear z=39
280	04415821	2	ball bearing
300	04416775	1	shim mm 2.50
300	04416776	1	shim mm 2.00
300	04416777	1	shim mm 2.40
300	04416778	1	shim mm 2.50
300	04417056	1	shim mm 2.10
300	04417115	1	shim mm 2.05
300	04417117	1	shim mm 2.15
300	04417118	1	shim mm 2.20
300	04417119	1	shim mm 2.25
300	04417120	1	shim mm 2.30
300	04417121	1	shim mm 2.35
300	04417123	1	shim mm 2.45
300	04417126	1	shim mm 1.85
300	04417127	1	shim mm 1.90
300	04417128	1	shim mm 1.95
320	0.010.2621.1	1	circlip 30x2
340	04415823	2	screw 8 m 6x36
360	04431795	3	screw
730	0.900.0489.2	1	cone
740	04415955	1	spring
750	04434341	1	plug
750.20	04436328	1	oil seal 23x2
810	0.900.0119.6	1	oil filter ☞ 0.900.0119.6
810.10	0.900.0374.4	1	hydr.oil filter elem.
810.20	0.900.0379.1	1	gasket
810.30	0.900.0466.4	1	oil seal
810.40	0.900.0466.5	1	plug
880	0.900.2123.7	1	pipe fitting
890	0.900.1638.1	1	plug
900	0.900.0282.2	1	pipe union
902	0.010.2627.1	1	oil seal 11x2
910	04417784	1	nut

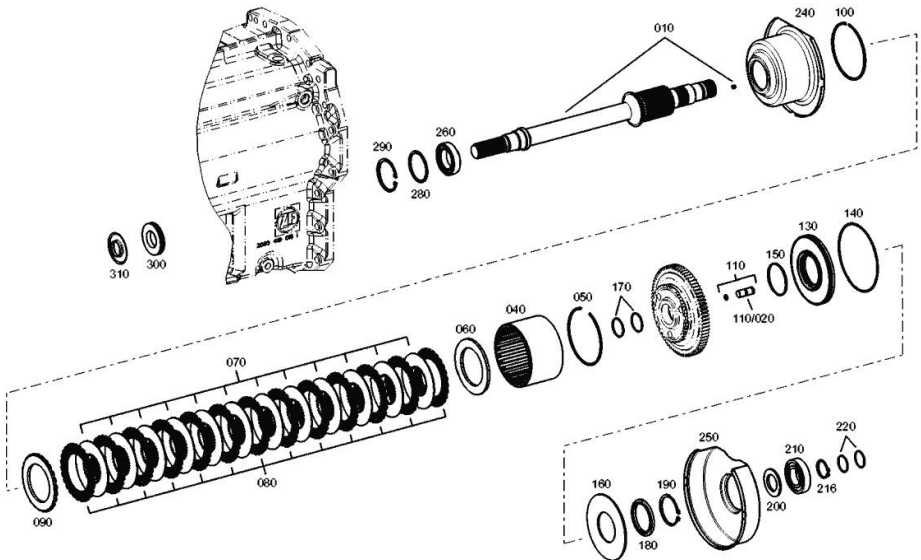
OIL SUPPLY - 2093 011 014

Fig.	P/n	QTY	Name
60	02968175	1	oil seal 15x2
70	04415922	1	tube
80	0.010.2622.0	2	gasket 22 x 27
90	04415923	1	pipe union 18 DIN 7643



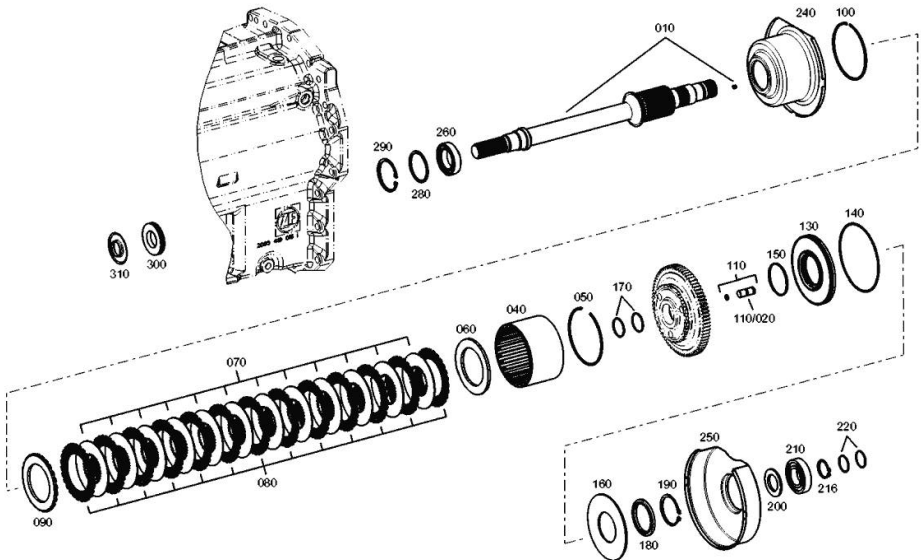
TRANSMISSION - 2093 011 014

Fig.	P/n	QTY	Name
10	0.900.2087.2	1	shaft
40	0.900.1284.6	1	plate carrier
50	0.900.0985.1	1	circlip
60	0.010.2875.2	1	shim mm 7.3
60	04416588	1	shim mm 5.5
60	04416589	1	shim mm 5.7
60	04416590	1	shim mm 5.9
60	04416591	1	shim mm 6.1
60	04416592	1	shim mm 6.3
60	04416593	1	shim mm 6.5
60	04416594	1	shim mm 6.7
60	04416595	1	shim mm 6.9
60	04416596	1	shim mm 7.1
60	04416597	1	shim mm 7.5
60	04416599	1	shim mm 7.7
60	04416600	1	shim mm 7.9
60	04416601	1	shim mm 8.1
60	04416602	1	shim mm 8.3
60	04416603	1	shim mm 8.5
60	04416604	1	shim mm 8.7
70	04415930	12	disc
80	0.900.1498.0	13	disc
90	04415932	1	disc
100	04415933	1	circlip mm 2.5
110	0.010.2876.0	3	pin
110.20	0.010.3258.2	1	oil seal 12x2.5
130	0.900.2050.6	1	piston
140	0.900.2046.4	1	oil seal 156x3
150	0.900.2046.3	1	oil seal 70x3
160	04415938	1	spring
170	04415939	2	ring 45x2
180	04436290	1	washer
190	0.010.2876.1	1	circlip 68x2.5
200	04415941	1	washer
210	04415942	1	bearing
216	0.010.2876.2	1	circlip 40x2.5
220	04416364	2	ring 40x2
240	04415945	1	plate
250	0.900.1357.1	1	guard
260	0.010.2877.0	1	ball bearing
280	0.010.3259.0	1	washer mm 2.00
280	0.010.3259.1	1	washer mm 2.05
280	0.010.3259.2	1	washer mm 2.10
280	0.010.3260.0	1	washer mm 2.15



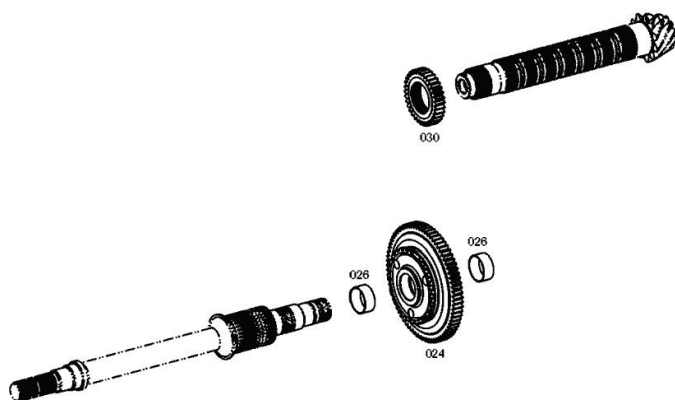
TRANSMISSION - 2093 011 014

Fig.	P/n	QTY	Name
280	0.010.3260.1	1	washer mm 2.25
280	0.010.3260.2	1	washer mm 2.35
280	0.010.3261.0	1	washer mm 2.45
280	0.010.3261.1	1	washer mm 2.55
280	0.010.3261.2	1	washer mm 2.65
280	0.900.2047.2	1	disc S = 1.70
280	0.900.2047.3	1	disc S = 1.80
280	0.900.2047.4	1	disc S = 1.90
280	04417009	1	washer mm 2.20
280	04417010	1	washer mm 2.30
280	04417011	1	washer mm 2.40
280	04417012	1	washer mm 2.50
280	04417013	1	washer mm 2.60
280	04417014	1	washer mm 2.70
280	04417015	1	washer mm 2.80
280	04424426	1	washer mm 2.90
280	04424427	1	washer mm 3.00
280	04424428	1	washer mm 3.10
280	04424429	1	washer mm 3.20
290	04415949	1	circlip 75x3
300	04415950	1	oil seal
310	04415951	1	plate



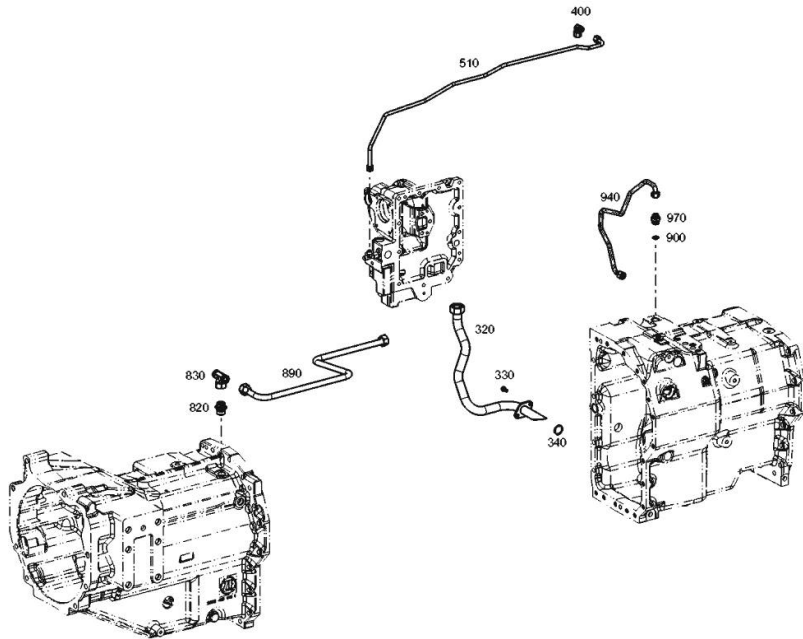
TRANSMISSION - 2093 011 014

Fig.	P/n	QTY	Name
24	04435691	1	gear Z = 75
26	04434385	2	bushing
30	04423261	1	gear Z = 34



OIL SUPPLY - 2093 011 014

Fig.	P/n	QTY	Name
320	0.900.1462.2	1	tube kpl.
330	04434497	2	screw m 8 x 18
340	0.010.3257.2	1	gasket 28x2.5
400	0.010.2877.2	1	pipe fitting EEL 10
510	0.900.2048.0	1	tube
820	0.010.2878.2	1	pipe fitting
830	0.900.2047.0	1	pipe fitting
890	0.900.2048.1	1	tube
900	04431770	1	filter
940	0.900.0954.2	1	tube
970	0.010.3805.0	1	vent



Buy Now



Our support email:

ebooklibonline@outlook.com