

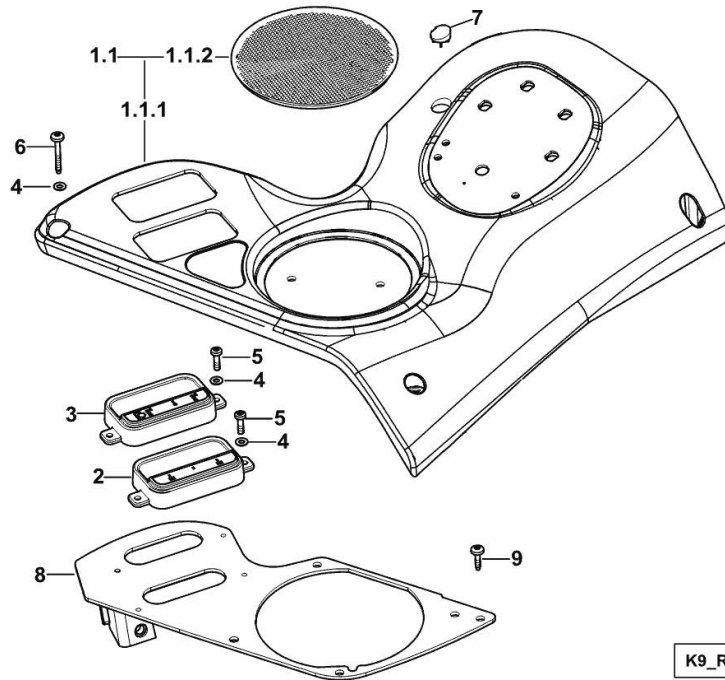
CONTROL CONSOLE DX / RH / RE

Fig.	P/n	QTY	Name
------	-----	-----	------

Notes:

- FOR TYPES WITH 4-WAY AUXILIARY SERVICES CONTROL VALVE [R6.180 T4i]

1.1	0.015.9165.3/20	1	front grille dx/rh/re
1.1.1	0.015.8808.0/10	1	front grille dx/rh/re
1.1.2	0.015.9401.0/10	1	sound deadening mat RAL 7012
2	0.015.7741.0/20	1	insert P.T.O. ECO-NORM
3	0.015.7740.0/20	1	insert P.T.O. 540-1000
4	2.1310.028.3	8	washer 4
5	2.0362.005.2	4	screw m4x15
6	2.0332.210.3	4	screw m 4x35
7	0.015.9199.0	1	plug
8	0.015.9284.4	1	support
9	04412976	4	screw 4.8x19



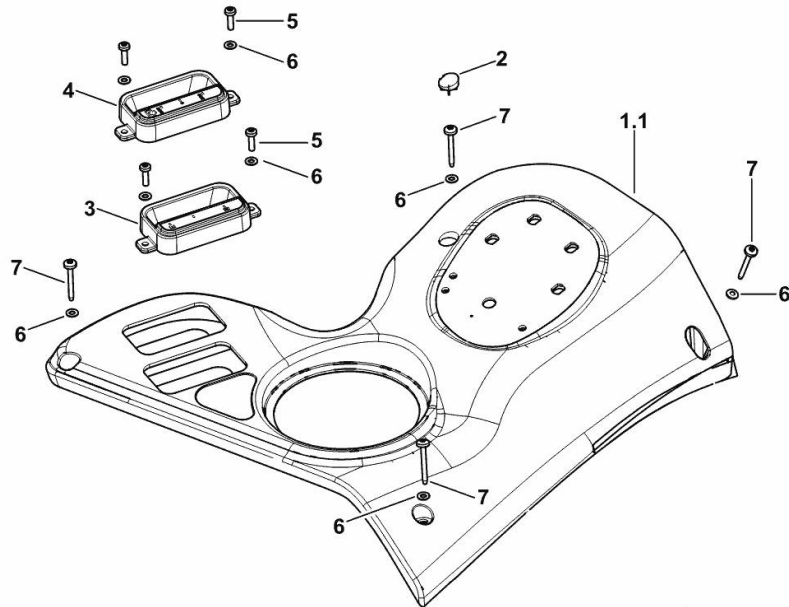
CONTROL CONSOLE DX / RH / RE

Fig.	P/n	QTY	Name
------	-----	-----	------

Notes:

- FOR TYPES WITH 8-WAY AUXILIARY SERVICES CONTROL VALVE [R6.180 T4i]

1.1	0.015.7742.0/30	1	front grille
2	0.015.9199.0	1	plug
3	0.015.7741.0/20	1	insert P.T.O. ECO-NORM
4	0.015.7740.0/20	1	insert P.T.O. 540-1000
5	2.0362.005.2	4	screw m4x15
6	2.1310.028.3	8	washer 4
7	2.0332.210.3	4	screw m 4x35



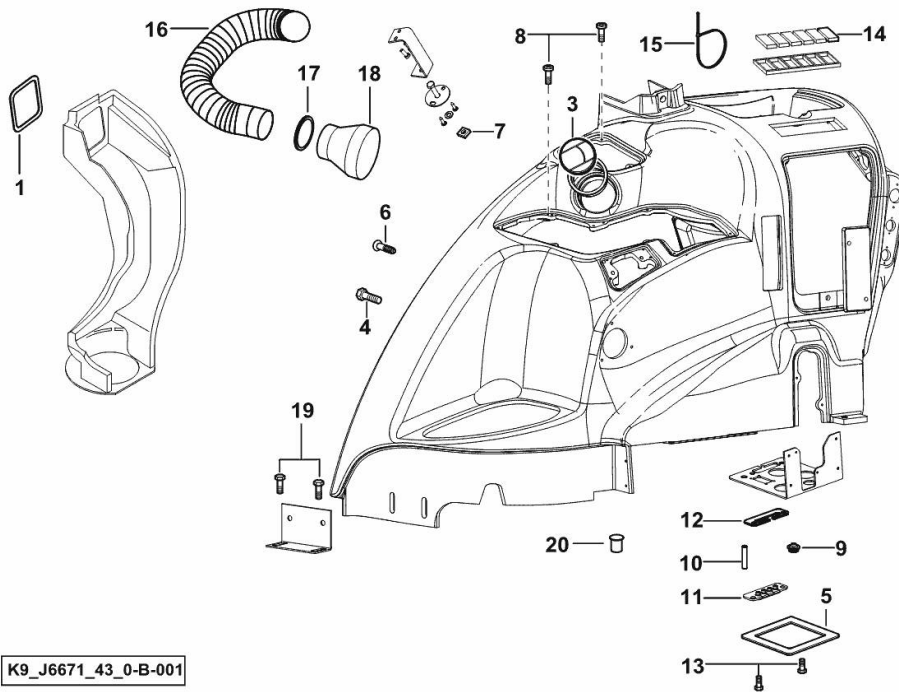
K9_R5564_03_0-D-001

CONTROL CONSOLE - DX/RH/RE

Fig.	P/n	QTY	Name
------	-----	-----	------

Notes:
[R6.180 T4i]

1	0.011.4085.0/20	2	gasket mm 390
3	04428870	2	mixer
4	04424185	4	screw DIN 7983S-ST 4.2X13
5	0.015.6302.0	1	gasket
6	04426906	11	screw 4.2x16
7	04429842	1	special nut
8	04429942	14	screw
9	04424188	1	grommet 16
10	01396853	5	flexible hose
11	04429293	1	gasket
12	04429437	1	plate
13	2.0114.204.2	2	screw m 8 x 14
14	0.012.6111.4	4	plug
15	2.6852.203.0	1	clamp 292 x 4.8
16	04431843	2	flexible hose
17	01137413	1	fascia Ø 32/50
18	04429703/10	1	connection
19	01171763	2	screw m 8 p.1.25 x 20
20	01167310	1	bottom



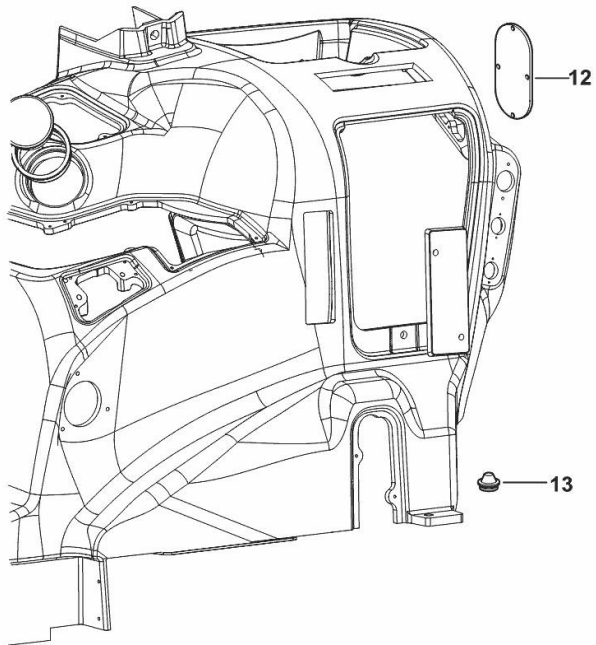
K9_J6671_43_0-B-001

CONTROL CONSOLE - DX/RH/RE

Fig.	P/n	QTY	Name
------	-----	-----	------

Notes:
[R6.180 T4i]

12	04429609	1	cover
13	04424188	1	grommet 16



K9_95071_24_0-A-001

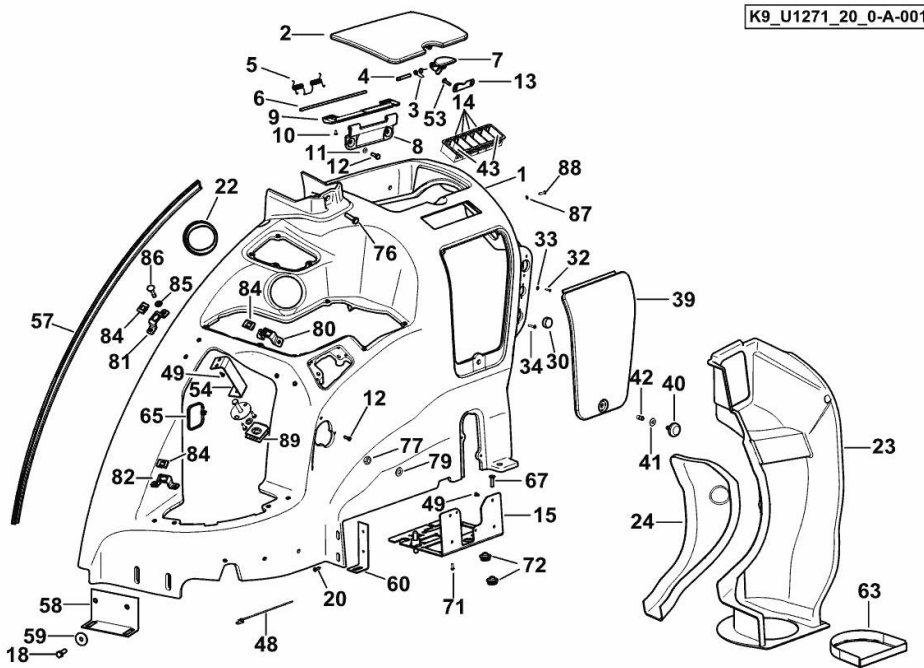
CONSOLE DX/RH/RE

Fig.	P/n	QTY	Name
------	-----	-----	------

Notes:

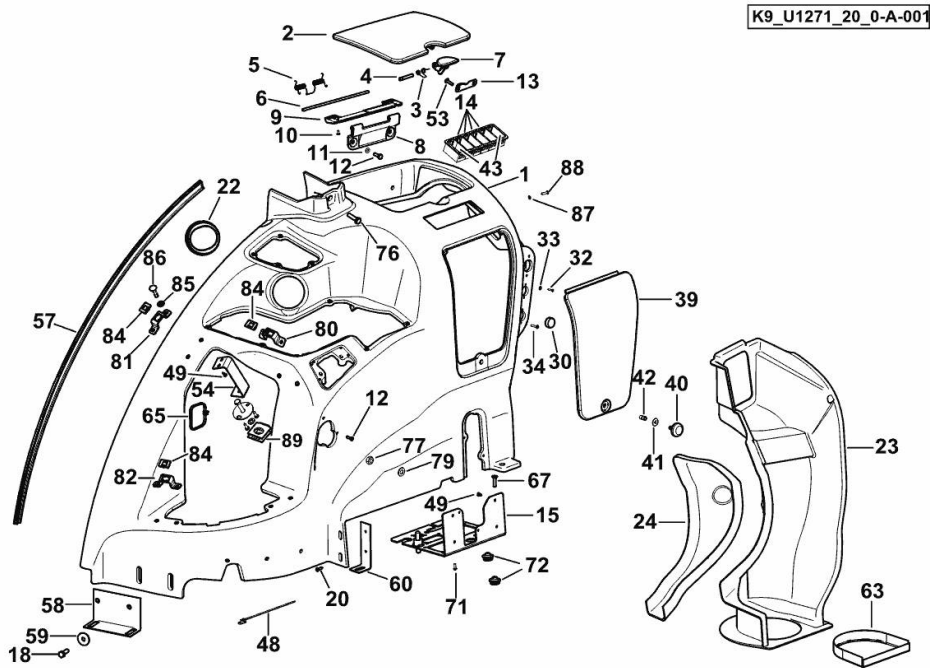
[R6.180 T4i]

1	0.019.4326.4	1	console
2	04429294	1	cover
3	2.4099.120.3/10	1	spring
4	2.1699.510.2	1	pin
5	2.4099.135.2	1	spring
6	2.1659.520.3	1	pin
7	0.010.9955.0	1	handle
8	0.010.9987.0	1	hinge
9	0.010.9988.0/10	1	hinge
10	04419646	4	self tapping screw
11	2.1312.001.2	2	washer 4
12	2.0114.007.2	2	screw m 6 p.1 x 20
13	04429203	1	support
14	0.012.9681.4/10	4	tip
15	0.015.3739.3/50	1	bracket
18	2.0114.209.2	2	screw m 8 x 25
20	04426906	6	screw 4.2x16
22	04431564	1	pipe fitting
23	0.010.9949.0/20	1	canal dx/rh/re
24	04429269	1	fin
30	04418895	1	plug
32	04424187	2	screw 2.9x16
33	2.1310.029.2	2	washer
34	04424184	4	screw
39	04429295	1	cover
40	04425438	1	screw
41	04425756	1	disc
42	04450983	2	nut m 6
43	0.012.9689.4/10	2	shim
48	01171694	9	clamp 172X4.6
49	2.0350.253.3	6	screw m 3.5 x 9.5 AB
53	04412976	2	screw 4.8x19
54	04429841	1	bracket
57	04418723	1	profile
58	0.018.8660.3	1	support
59	2.1549.599.2	2	washer 9x30x3
60	04429758	1	support
63	0.011.5949.0	1	protective mesh
65	2.6852.203.0	2	clamp 292 x 4.8
67	2.0342.207.6	1	screw m 6 p.1 x 25
71	2.0332.204.2	2	screw 4 x 12



CONSOLE DX/RH/RE

Fig.	P/n	QTY	Name
72	04424188	3	grommet 16
76	2.0114.211.2	1	screw m 8 x 30
77	2.1011.106.2	1	nut m 10 p.1.5
79	2.1310.006.2	1	flat washer 10.5x21
80	0.019.4275.0/10	1	bracket
81	0.019.4276.0/10	1	bracket
82	0.020.2036.3	1	bracket
84	0.018.5878.4	2	clip
85	2.1310.002.2	7	flat washer 6.4x12.5
86	2.0112.003.2	7	screw m 6 p.1 x 12
87	2.1310.028.3	4	washer 4
88	01119630	4	screw m 4 x 16
89	04429941	1	special nut

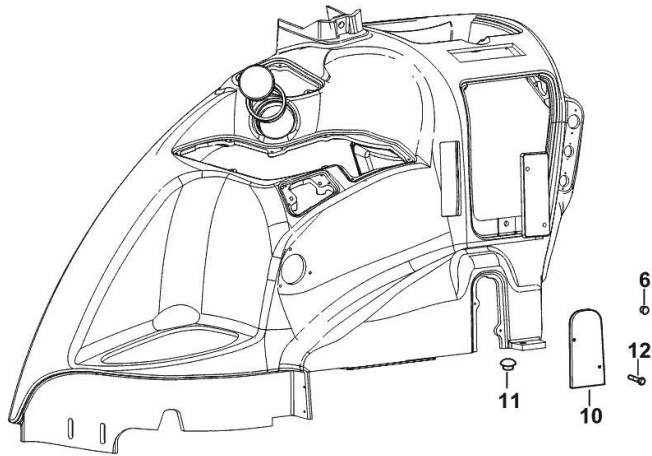


CONTROL CONSOLE - DX/RH/RE

Fig.	P/n	QTY	Name
------	-----	-----	------

Notes:
[R6.180 T4i]

6	01167308	2	plug 7.2x5.2x9
10	04429623	1	plate
11	04450940	1	bottom
12	01129113	2	screw m 8 x 30



K9_95364_05_0-A-001

Buy Now



Our support email:

ebooklibonline@outlook.com