

FASTENINGS

Fig.	P/n	QTY	Name
------	-----	-----	------

Notes:

[R6.180.7 Hi-Profile]

Engine serial number:

10090558 10092577 10092581 10092582 10092585 10092588 10092590 10092591 10092615 10092954 10092959
 10092972 10092974 10092978 10092979 10094156 10094164 10094166 10095590 10095592 10096915 10096918
 10097028 10101055 10101059 10101064 10101068 10101173 10101176 10101186 10250895 10250896 10250899
 10250901 10250902 10250913 10250914 10250916 10260885 10260895 10260900 10261301 10261832 10353283
 10353287 10353296 10362277 10362283 10366514 10376316 10382693 10398270 10471465 10471474 10480376
 10494314

001 ©

3	04910582	1	gasket
4	01143362	14	screw 5 Nm, 30 Nm consult workshop manual 5 Nm, 21 Nm consult workshop manual EN 1662 -F-M8X35-10.9-A4C
5	01181406	1	bushing H 2341 -B11X8-FE/ZN12C*

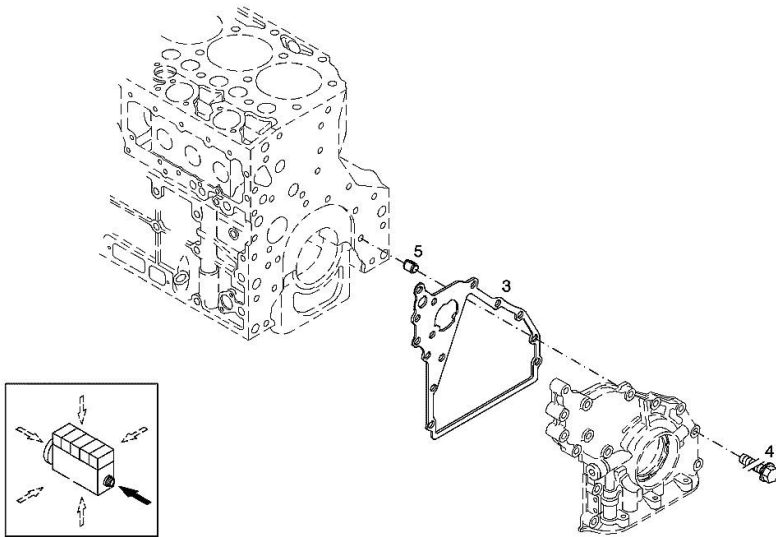
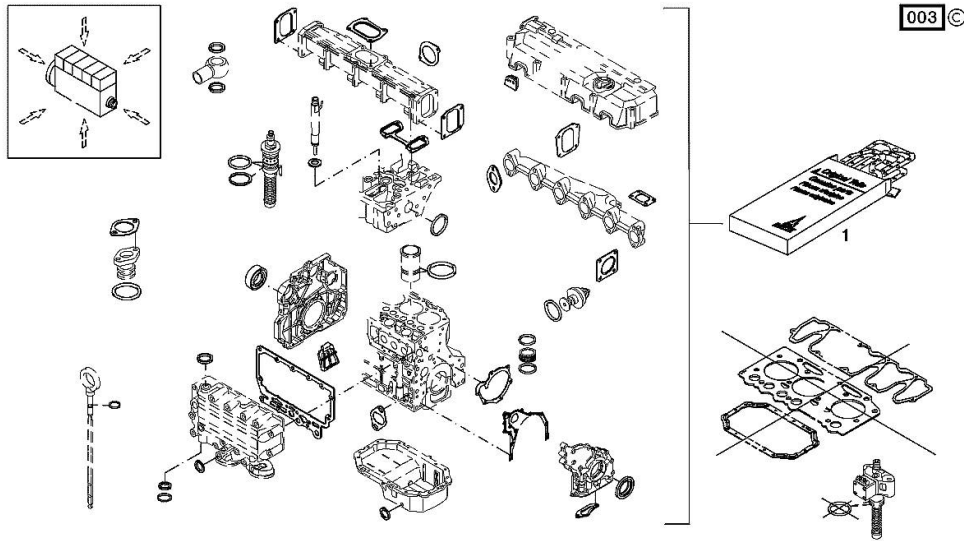


Fig.	P/n	QTY	Name
------	-----	-----	------

Notes:
 [R6.180.7 Hi-Profile]

Engine serial number:

10090558 10092577 10092581 10092582 10092585 10092588 10092590 10092591 10092615 10092954 10092959
 10092972 10092974 10092978 10092979 10094156 10094164 10094166 10095590 10095592 10096915 10096918
 10097028 10101055 10101059 10101064 10101068 10101173 10101176 10101186 10250895 10250896 10250899
 10250901 10250902 10250913 10250914 10250916 10260885 10260895 10260900 10261301 10261832 10353283
 10353287 10353296 10362277 10362283 10366514 10376316 10382693 10398270 10471465 10471474 10480376
 10494314



1	02937627	1	gasket set The gasket kit does not contain: GASKET IN FIG. (SM 0199-99-9449)
---	----------	---	---

BLEEDING TUBE

Fig.	P/n	QTY	Name
------	-----	-----	------

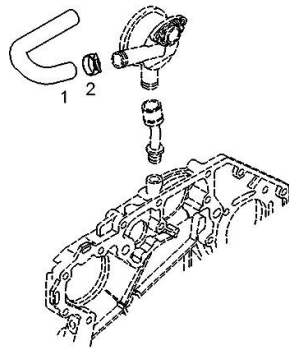
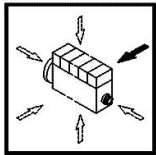
Notes:

[R6.180.7 Hi-Profile]

Engine serial number:

10090558 10092577 10092581 10092582 10092585 10092588 10092590 10092591 10092615 10092954 10092959
 10092972 10092974 10092978 10092979 10094156 10094164 10094166 10095590 10095592 10096915 10096918
 10097028 10101055 10101059 10101064 10101068 10101173 10101176 10101186 10250895 10250896 10250899
 10250901 10250902 10250913 10250914 10250916 10260885 10260895 10260900 10261301 10261832 10353283
 10353287 10353296 10362277 10362283 10366514 10376316 10382693 10398270 10471465 10471474 10480376
 10494314

1	04198572	1	tube
2	01178750	1	clamp DIN 3021 -A-29X15



Section: B0 - ENGINE

BLEEDING TUBE

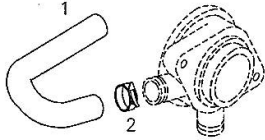
Fig.	P/n	QTY	Name
------	-----	-----	------

Notes:

[R6.180.7 Hi-Profile]

1	04198572	1	tube
2	01178750	3	clamp DIN 3021 -A-29X15

001



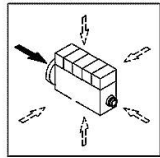
Section: B0 - ENGINE
CRANKCASE BREATHER

Fig.	P/n	QTY	Name
------	-----	-----	------

Notes:
 [R6.180.7 Hi-Profile]

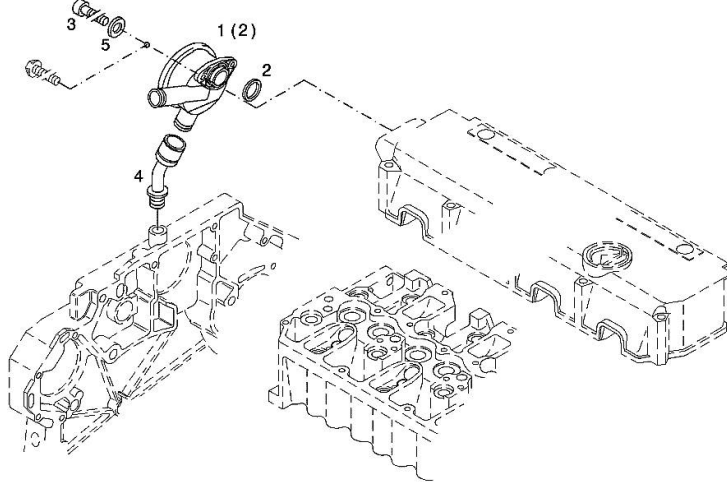
Engine serial number:

10090558 10092577 10092581 10092582 10092585 10092588 10092590 10092591 10092615 10092954 10092959
 10092972 10092974 10092978 10092979 10094156 10094164 10094166 10095590 10095592 10096915 10096918
 10097028 10101055 10101059 10101064 10101068 10101173 10101176 10101186 10250895 10250896 10250899
 10250901 10250902 10250913 10250914 10250916 10260885 10260895 10260900 10261301 10261832 10353283
 10353287 10353296 10362277 10362283 10366514 10376316 10382693 10398270 10471465 10471474 10480376
 10494314



ab Baumont:
 from month of manufacture:
 a partir mois de montage:
 a partir del mes de fabricacion: | 09.95

002 ©



1	04255055	1	valve WITH POS.... (2)
2	04207649	1	ring
3	01148431	2	screw - FROM THE MONTH OF ASSEMBLY SEE POS. (B) - UP TO THE MONTH OF ASSEMBLY (A) FROM THE MONTH OF ASSEMBLY A = 09.1995 B = POS. 950 ISO 4762 -M6X20-8.8-ZNAL-A
4	04207290	1	pipng
5	01124654	2	washer 6,4 d433 ISO 7092 -6-140HV-A4C*
950	01181965	2	screw - UP TO MONTH OF ASSEMBLY (A) - FROM MONTH OF ASSEMBLY SEE POS. (B) A = 08.1995 B = POS. 3 EN 1662 -F-M6X20-10.9-ZNAL-A

CRANKCASE

Fig.	P/n	QTY	Name
------	-----	-----	------

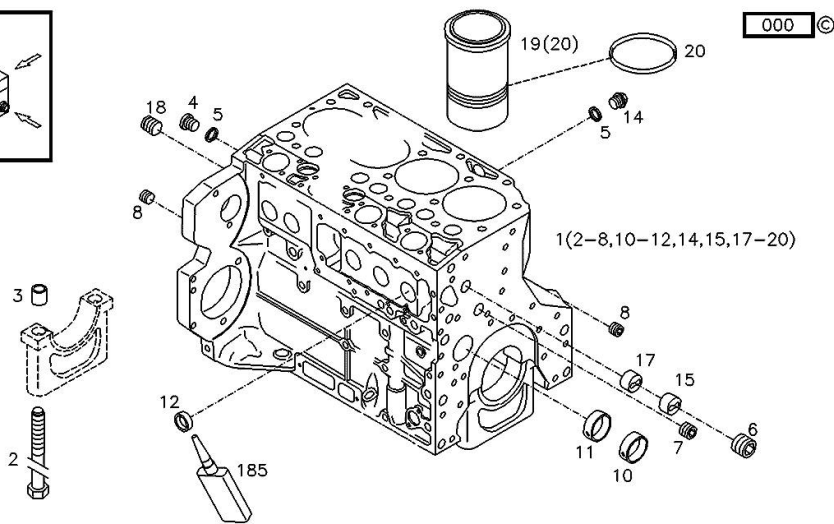
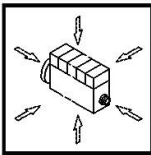
Notes:

[R6.180.7 Hi-Profile]

Engine serial number:

10090558 10092577 10092581 10092582 10092585 10092588 10092590 10092591 10092615 10092954 10092959
 10092972 10092974 10092978 10092979 10094156 10094164 10094166 10095590 10095592 10096915 10096918
 10097028 10101055 10101059 10101064 10101068 10101173 10101176 10101186 10250895 10250896 10250899
 10250901 10250902 10250913 10250914 10250916 10260885 10260895 10260900 10261301 10261832 10353283
 10353287 10353296 10362277 10362283 10366514 10376316 10382693 10398270 10471465 10471474 10480376
 10494314

1	04282827	1	crankcase WITH POS.... (2-8,10-12,14,15,17-20)
2	04251254	14	screw
3	04200078	14	bushing
4	01110423	2	screw DIN 908 -M14X1,5-ST-ZNPHRF
5	01118693	4	gasket 14x20 DIN 7603 -A14X20-CU
6	01182033	1	screw H 2812 -906-M30X1,5-ST-A3C-LOCTITE506
7	01182032	1	screw H 2812 -906-M22X1,5-ST-A3C-LOCTITE506
8	01182031	2	screw H 2812 -906-M14X1,5-ST-A3C-LOCTITE506
10	04200021	6	bushing
11	04200022	1	bushing
12	01179635	10	plug H 2860 -A45-ST-FE/ZNPHR
14	01100940	2	screw DIN 7604 -AM14X1,5-ST-A4C
15	04202518	1	sleeve
17	04202517	1	sleeve
18	01181155	1	plug H 2812 -2838-M22X1,5-ST-A4C-PRE80
19	04282014	6	cylinder liner WITH POS.... (20) 032 (021-025,031,141)
20	01181178	12	special oil seal H 2927 -112X3,0-FPM-2-70
185	01016127	1	sealing compound ml. 50 H 0699 -DEUTZDW72-50ML



0507 8215

ACCESSORIES

Fig.	P/n	QTY	Name
------	-----	-----	------

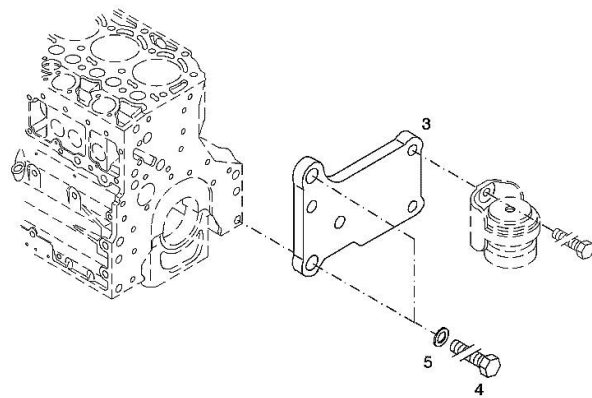
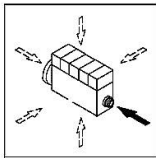
Notes:
[R6.180.7 Hi-Profile]

Engine serial number:

10090558 10092577 10092581 10092582 10092585 10092588 10092590 10092591 10092615 10092954 10092959
10092972 10092974 10092978 10092979 10094156 10094164 10094166 10095590 10095592 10096915 10096918
10097028 10101055 10101059 10101064 10101068 10101173 10101176 10101186 10250895 10250896 10250899
10250901 10250902 10250913 10250914 10250916 10260885 10260895 10260900 10261301 10261832 10353283
10353287 10353296 10362277 10362283 10366514 10376316 10382693 10398270 10471465 10471474 10480376
10494314

006 ©

3	04288659	1	support
4	01148261	2	screw ISO 4017 -M16X40-10.9-ZNAL-A
5	01181400	2	washer H 2308 -18X25X1,5-A4C



Buy Now



Our support email:

ebooklibonline@outlook.com