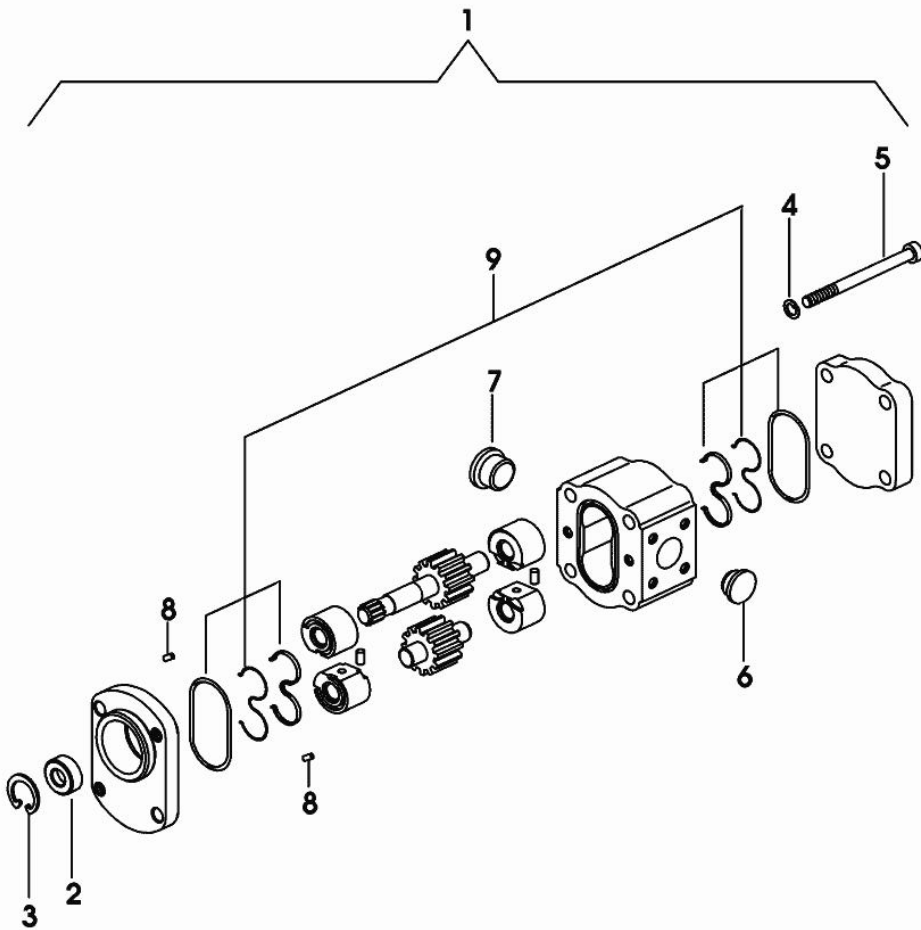


HYDRAULIC PUMP PARTS

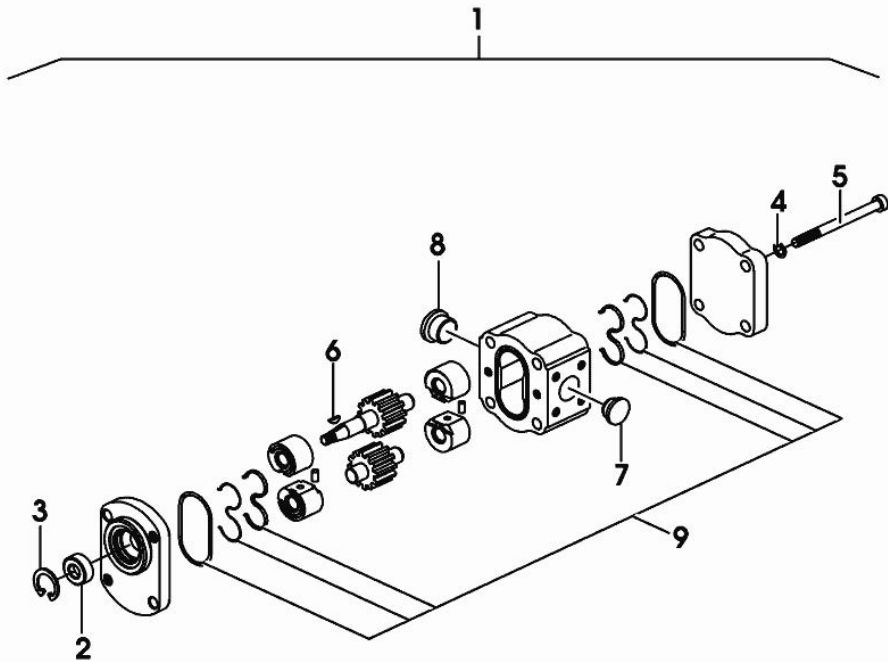
Fig.	P/n	QTY	Name
1	01176453	1	pump 22.5 cc sx/lh/li
2	0.009.4046.1	1	special oil seal
3	2.1411.012.1	1	circlip 30
4	0.010.3145.0	2	spring washer
5	0.010.3545.0	2	screw
6	0.010.3908.2	1	cap
7	0.010.3909.0	1	cap
8	0.010.3915.0	2	cylindrical plug
9	01263326	1	gasket set



01176453

HYDRAULIC PUMP PARTS

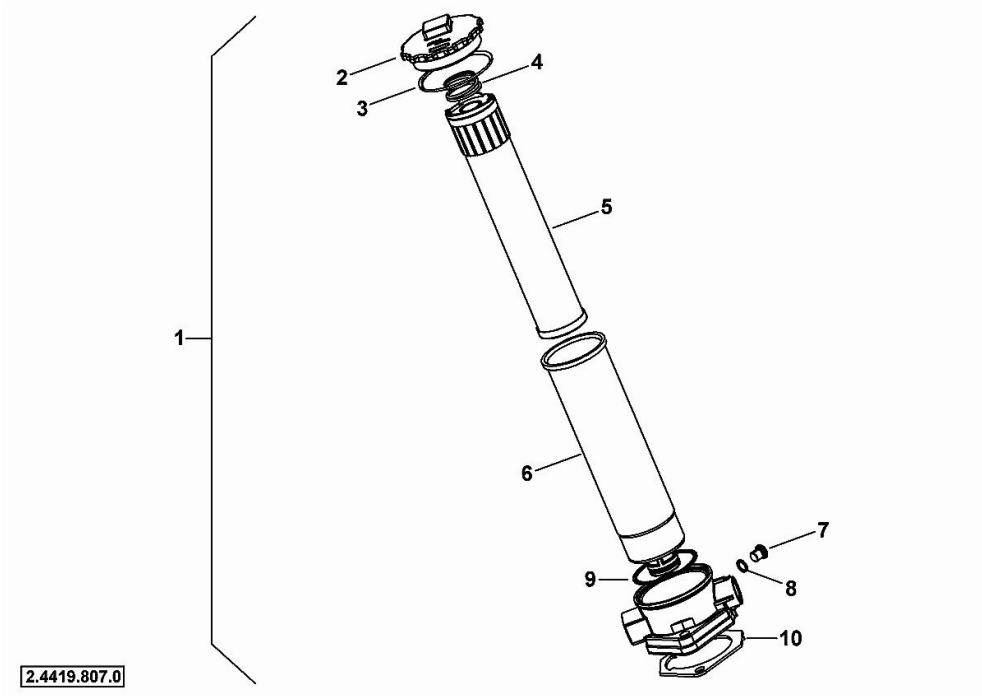
Fig.	P/n	QTY	Name
1	16048149	1	hydraulic pump 22.5 cc sx/lh/li
2	0.009.4046.1	1	special oil seal
3	2.1411.012.1	1	circlip 30
4	0.001.4921.0	4	old part number
5	0.010.3911.1	4	screw
6	04417978	1	key 3x5
7	0.010.3908.2	1	cap
8	0.010.3909.0	1	cap
9	0.010.3911.2	1	gasket set



16048149

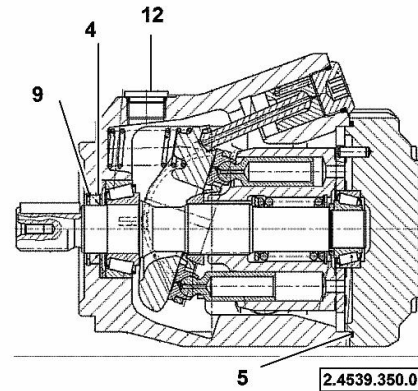
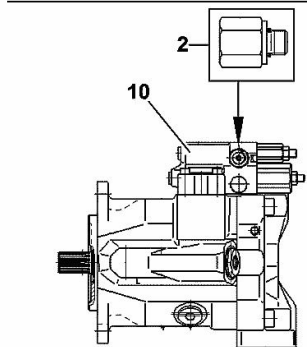
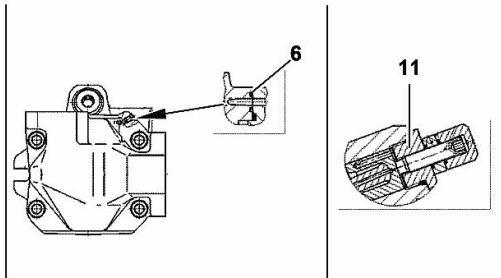
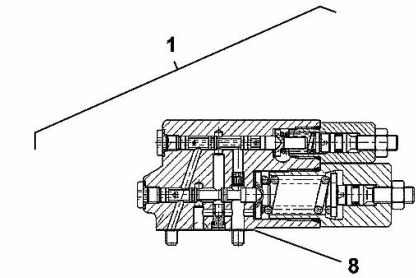
LUBRIC. OIL FILTER

Fig.	P/n	QTY	Name
1	2.4419.807.0	1	filter
2	0.900.1601.6	1	cover
3	0.900.0128.1	1	gasket
4	0.900.0128.0	1	spring
5	2.4419.808.0	1	oil filter
6	0.900.0128.6	1	filter casing
7	0.900.1601.8	1	plug
8	0.900.1601.9	1	oil seal 12x1.5
9	0.900.0128.7	1	oil seal
10	0.900.0393.3	1	ring



HYDRAULIC PUMP

Fig.	P/n	QTY	Name
1	2.4539.350.0	1	oil pump 63 CM³
2	0.900.1987.0	1	adapter
4	0.010.2768.1	1	ring
5	0.010.2768.2	1	special oil seal 120x2.5
6	0.010.2769.1	1	special oil seal 7.65x1.68
8	0.900.1264.2	1	gasket
9	0.900.2195.4	1	ring
10	0.900.2195.5	1	valve
11	0.900.1987.1	1	screw
12	0.010.2771.0	1	plug 7/8"



R6.210 T4i VRT ->WSXV850200LL50010

Section: H0 - HYDRAULIC AND PNEUMATIC SYSTEM|

Ref: H0.02.1 (1)

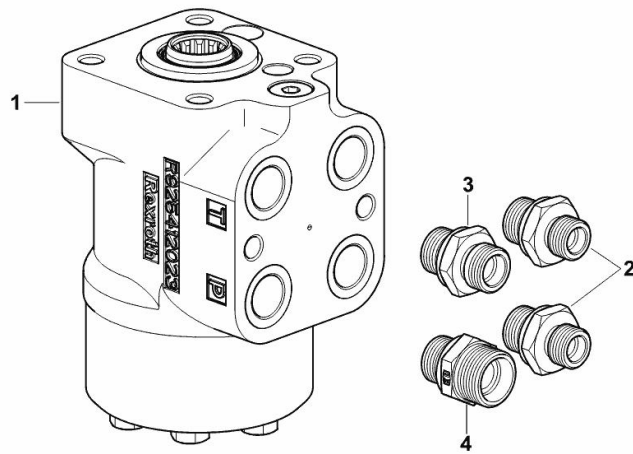
HYDROSTATIC STEERING CONTROL VALVE

Fig.	P/n	QTY	Name
------	-----	-----	------

Notes:

[R6.210 T4i VRT ->WSXV850200LL50001]

1	2.4569.015.0	1	power steering BOSCH LAGU 180/90-30/LDR-175M40-413S2 ☞ 2.4569.015.0
2	01180560	2	pipe fitting m 18 p.1.5x10
3	01178350	1	pipe fitting m 18 p.1.5x12
4	01177226	1	pipe fitting m 18 p.1.5 x 15




K9_V8363_00_0-A-001

R6.210 T4i VRT ->WSXV850200LL50010

Section: H0 - HYDRAULIC AND PNEUMATIC SYSTEM|

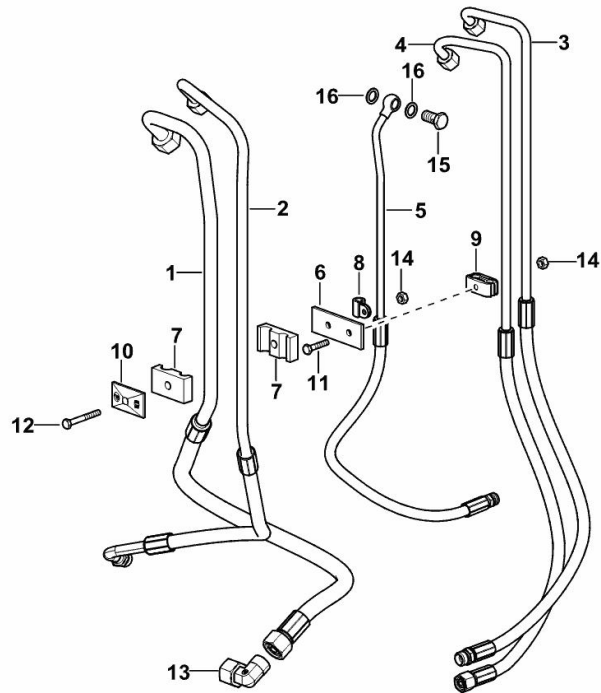
Ref: H0.02.2 (2)

PIPES FOR HYDROSTATIC STEERING

Fig.	P/n	QTY	Name
------	-----	-----	------

Notes:

[R6.210 T4i VRT ->WSXV850200LL50001]



K9_V8763_10_0-A-002

1	0.019.5863.3	1	tube
2	0.019.5894.3/10	1	tube
3	0.018.4732.3/10	1	tube
4	0.018.5711.3/10	1	tube
5	0.018.4721.3/10	1	tube
6	0.018.4737.0	1	small plate
7	01175671	2	terminal 12-15
8	01175559	1	fascia
9	2.3321.007.0	1	collar Ø10/10
10	01175670	1	small plate
11	2.0112.011.2	1	screw m 6 p.1x30
12	2.0112.019.2	1	screw m 6 p.1 x 50
13	01144817	1	pipe fitting 90°
14	2.1011.103.2	2	nut m 6 p.1
15	01119240	1	pipe union
16	2.1560.008.0	2	gasket 12.2 x 18

R6.210 T4i VRT ->WSXV850200LL50010

Section: H0 - HYDRAULIC AND PNEUMATIC SYSTEM|

Ref: H0.02.3 (2)

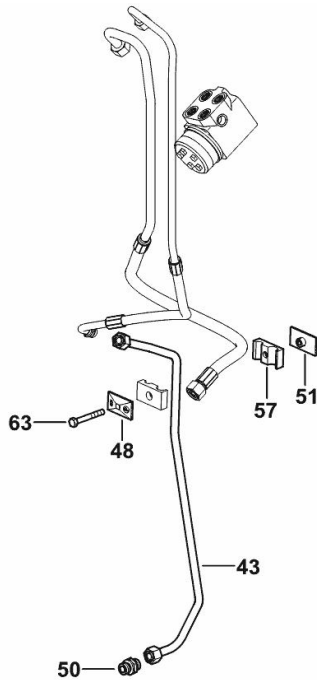
TUBO DE RETORNO DA DIRECÇÃO ASSISTIDA

Fig.	P/n	QTY	Name
------	-----	-----	------

Notes:

- FOR TYPES WITH PNEUMATIC BRAKE [R6.210 T4i VRT ->WSXV850200LL50001]

43	0.019.5933.3	1	tube
48	01175670	1	small plate
50	01178350	1	pipe fitting m 18 p.1.5x12
51	01180338	1	small plate
57	04454610	2	terminal Ø 12/18
63	2.0112.215.2	2	screw m 8 p.1.25 x 40



K9_V8363_03_0-D-002

Buy Now



Our support email:

ebooklibonline@outlook.com