

R6.230 T4i VRT ->WSXV890200LL50010

Section: G0 - BODYWORK - CAB

Ref: G0.09.0 (3)

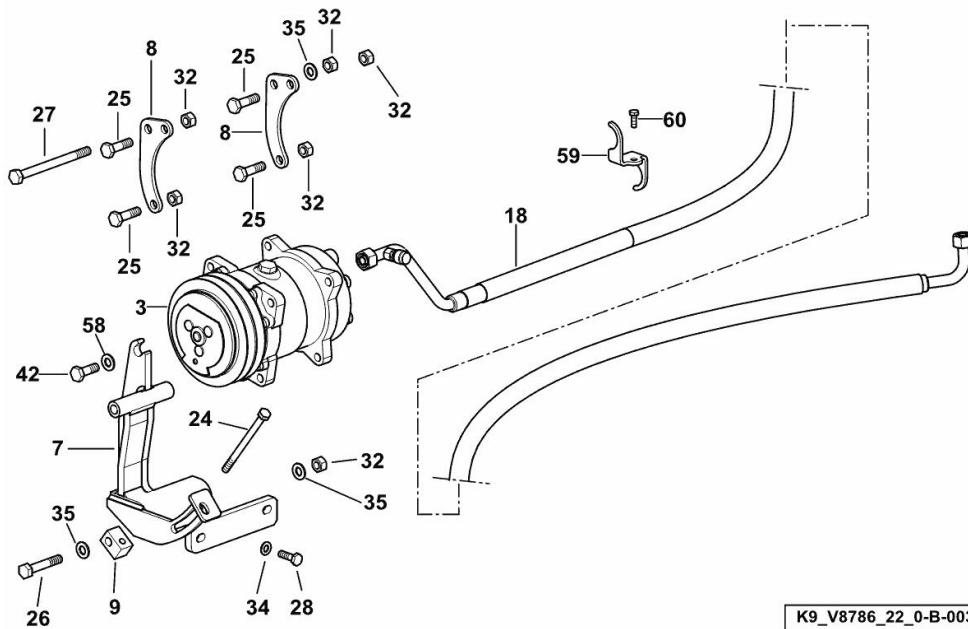
AIR CONDITIONING SYSTEM

Fig.	P/n	QTY	Name
------	-----	-----	------

Notes:

[R6.230 T4i VRT ->WSXV890400LL50010]

3	04437339/10	1	compressor R 134a ☞ 04437339/10
7	0.018.4177.2/20	1	bracket
8	04452437	2	support
9	04452840	1	tensioner
18	0.019.5114.4	1	tube
24	2.0114.229.2	1	screw m 8 p.1.25 x 110
25	2.0112.313.2	4	screw m 10 p.1.5 x 35
26	2.0112.320.2	1	screw m 10 p.1.5 x 55
27	2.0112.333.2	1	screw m 10 p.1.5x120
28	2.0112.209.2	2	screw m 8 p 1.25 x 25
32	2.1011.006.2	6	nut m 10 p.1.5
34	2.1310.004.2	2	flat washer 8.4x17
35	2.1310.006.2	5	flat washer 10.5x21
42	2.0312.310.2	2	screw m 10 p.1.5 x 30
58	2.1599.560.2	1	washer 10.5x22x3
59	0.017.0739.0	1	bracket
60	2.0114.005.2	1	screw m 6 p.1.0 x 16



R6.230 T4i VRT ->WSXV890200LL50010

Section: G0 - BODYWORK - CAB

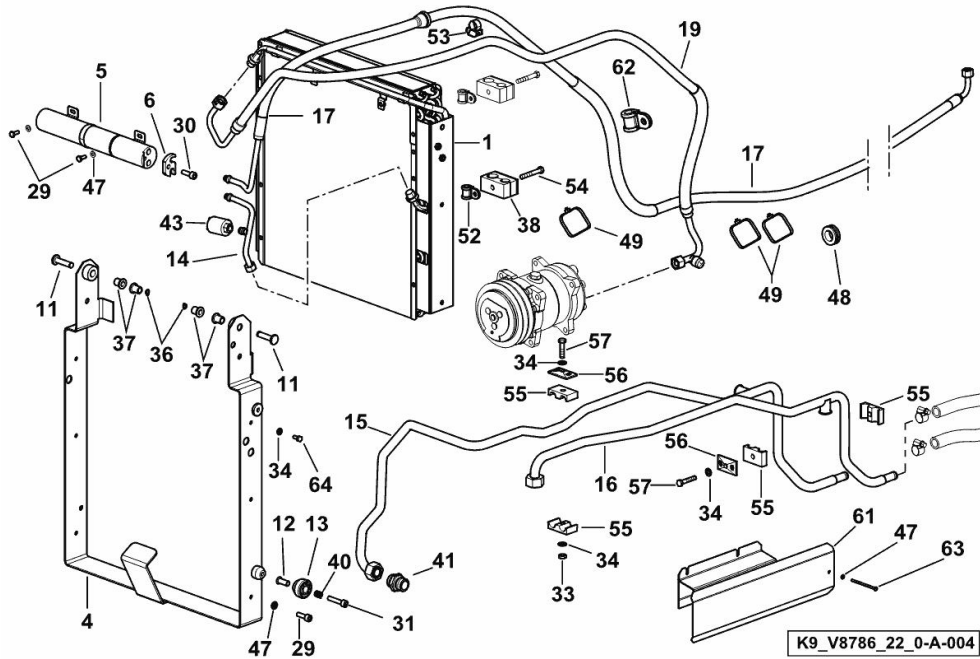
Ref: G0.09.1 (4)

AIR CONDITIONING SYSTEM

Fig.	P/n	QTY	Name
------	-----	-----	------

Notes:

[R6.230 T4i VRT ->WSXV890400LL50010] 50016 <-



1	0.016.1816.4/10	1	condenser
4	0.016.0600.2/40	1	chassis frame
5	0.015.4222.4/30	1	filter R 134a
6	0.015.4226.0/20	1	spacer
11	0.014.4027.0	2	pin
12	0.014.4769.0/10	1	bushing
13	0.014.4770.0/10	2	knob
14	0.016.9663.4	1	tube
15	0.018.1879.3/20	1	tube
16	0.018.1872.3/30	1	tube
17	0.016.1835.4/40	1	tube
19	0.017.0755.4/10	1	tube
29	2.0112.004.2	6	screw m 6 p.1 x 14
30	2.0312.208.2	1	screw m 8 p.1.25 x 25
31	2.0312.214.2	2	screw m 8 p.1.25 x 40
33	2.1011.105.2	3	nut m 8 p.1.25
34	2.1310.004.2	4	flat washer 8.4x17
36	2.1410.063.2	2	circlip 8
37	2.1559.147.0	4	bushing
38	06261605	2	fascia Ø 18/22
40	2.4019.797.2	2	spring
41	04455063	1	pipe fitting
43	04426492/10	1	pressure switch
47	2.1310.002.2	8	flat washer 6.4x12.5
48	2.6560.018.0	1	rubber plug 22x5
49	2.6852.203.0	3	clamp 292 x 4.8
52	2.6839.055.0	2	clamp Ø 11 / 20
53	01173965	2	clamp 10-16/9 h3461
54	2.0114.219.2	2	screw m 8 p.1.25 x 60
55	01178214	4	terminal
56	01175670	2	small plate
57	2.0114.216.2	2	screw m 8 x 45
61	0.019.8892.3	1	guard
62	01173182	1	clamp
63	2.0112.029.2	1	screw m 6 x 100
64	2.0112.204.2	2	screw m 8 p.1.25x14

AIR CONDITIONING SYSTEM

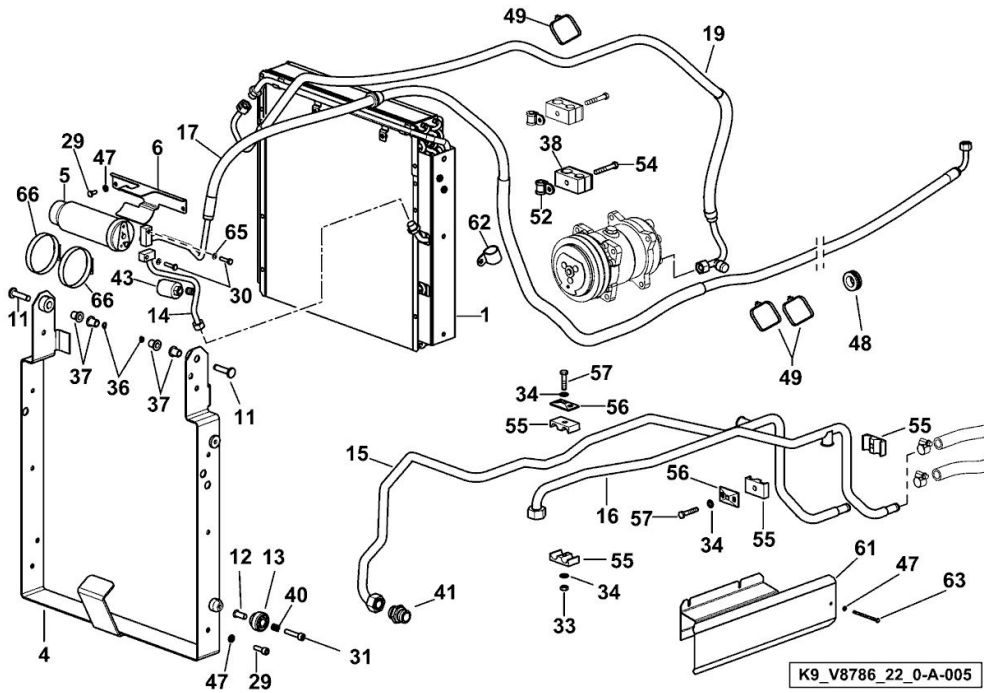


Fig.	P/n	QTY	Name
------	-----	-----	------

Notes:

[R6.230 T4i VRT ->WSXV890400LL50010]

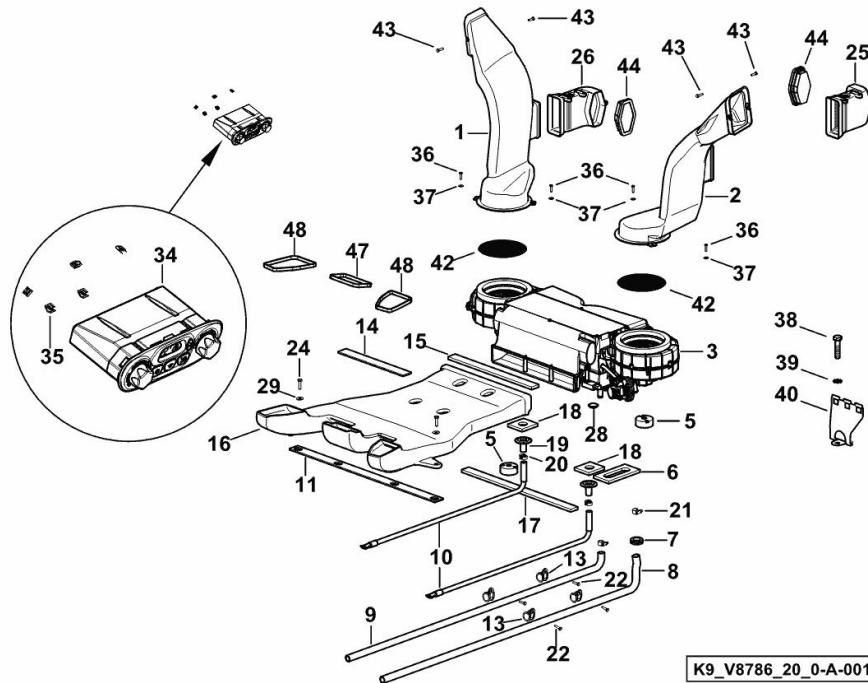
1	0.016.1816.4/10	1	condenser
4	0.016.0600.2/50	1	chassis frame
5	0.019.1693.2	1	filter
6	0.020.5706.0/10	1	bracket
11	0.014.4027.0	2	pin
12	0.014.4769.0/10	1	bushing
13	0.014.4770.0/10	2	knob
14	0.020.5513.4	1	tube
15	0.018.1879.3/20	1	tube
16	0.018.1872.3/40	1	tube
17	0.020.5615.4	1	tube
19	0.017.0755.4/10	1	tube
29	2.0112.004.2	6	screw m 6 p.1 x 14
30	2.0112.009.2	2	screw m 6 p.1 x 25
31	2.0312.214.2	2	screw m 8 p.1.25 x 40
33	2.1011.105.2	3	nut m 8 p.1.25
34	2.1310.004.2	2	flat washer 8.4x17
36	2.1410.063.2	2	circlip 8
37	2.1559.147.0	4	bushing
38	06261605	2	fascia Ø 18/22
40	2.4019.797.2	2	spring
41	04455063	1	pipe fitting
43	04426492/10	1	pressure switch
47	2.1310.002.2	8	flat washer 6.4x12.5
48	2.6560.018.0	1	rubber plug 22x5
49	2.6852.203.0	3	clamp 292 x 4.8
52	2.6839.055.0	2	clamp Ø 11 / 20
54	2.0114.219.2	2	screw m 8 p.1.25 x 60
55	01178214	4	terminal
56	01175670	2	small plate
57	2.0114.216.2	2	screw m 8 x 45
61	0.019.8892.3	1	guard
62	01173182	1	clamp
63	2.0112.029.2	1	screw m 6 x 100
65	2.1475.201.2	2	washer 6.4x12
66	2.6851.006.0	1	clamp Ø 50/70
66	2.6851.007.0	2	clamp Ø 60/80

MANUAL CLIMATE CONTROL SYSTEM

Fig.	P/n	QTY	Name
------	-----	-----	------

Notes:

[R6.230 T4i VRT ->WSXV890400LL50010] 50016 <-



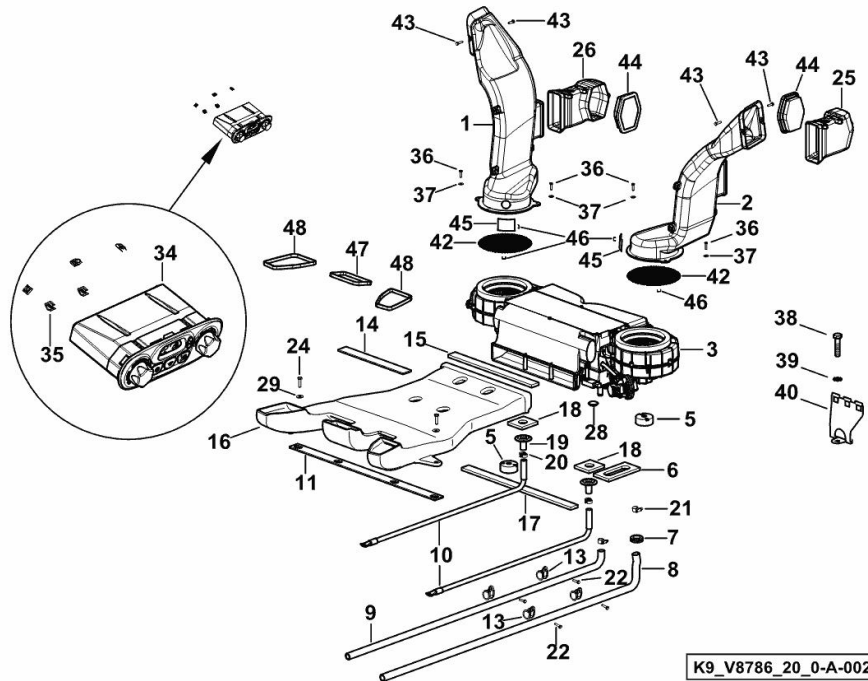
1	0.019.2437.0/30	1	air duct dx/rh/re
2	0.019.2436.0/10	1	air duct sx/lh/li
3	0.019.4848.4/10	1	climate control sys. ☞ 0.019.4848.4/10
5	0.014.8200.0	2	block
6	0.017.0996.0/10	1	gasket
7	2.6569.047.0	1	rubber plug
8	0.018.5872.0/10	1	tube
9	0.018.5870.0/20	1	tube
10	0.011.4589.3/10	2	flexible hose
11	0.017.1005.0	1	gasket
13	2.6839.054.0	4	clamp Ø 20/25
14	0.017.1004.0	1	gasket
15	0.017.1003.0	1	gasket
16	0.019.2438.0/20	1	air duct
17	0.017.1001.0/10	1	gasket
18	0.017.1000.0/10	2	gasket
19	0.013.0425.0	2	tube
20	2.6851.019.0	2	clamp Ø 13/20
21	2.6851.001.0	2	clamp Ø 16/25
22	2.0112.009.2	4	screw m 6 p.1 x 25
24	2.0114.211.2	2	screw m 8 x 30
25	0.019.2439.2/10	1	air duct sx/lh/li (50016 <-)
25	0.019.2439.2/20	1	air duct sx/lh/li
26	0.019.2440.2/10	1	air duct dx/rh/re (50016 <-)
26	0.019.2440.2/20	1	air duct dx/rh/re
28	2.6070.004.0	1	plug 25
29	2.1312.004.3	2	washer 8,4x24x2
34	0.019.5517.4/20	1	control
35	0.013.4283.0	4	clip
36	2.0350.405.3	4	screw m 4.2 x 16
37	2.1310.001.3	4	washer 5.3 x 10
38	2.0112.213.2	1	screw m 8 p.1.25 x 35
39	2.1470.004.2	1	lock washer 8
40	0.019.8920.0	1	bracket
42	0.019.9001.0/10	2	grille
43	2.0350.604.2	4	screw m5.5X13
44	0.020.1261.4	2	air filter (50016 <-)
44	0.020.1261.4/10	2	air filter
47	0.021.9597.0	1	gasket
48	0.021.9598.0	2	gasket

MANUAL CLIMATE CONTROL SYSTEM

Fig.	P/n	QTY	Name
------	-----	-----	------

Notes:

[R6.230 T4i VRT ->WSXV890400LL50010]



1	0.019.2437.0/40	1	air duct dx/rh/re
2	0.019.2436.0/20	1	air duct sx/lh/li
3	0.019.4848.4/10	1	climate control sys. ☞ 0.019.4848.4/10
5	0.014.8200.0	2	block
6	0.017.0996.0/10	1	gasket
7	2.6569.047.0	1	rubber plug
8	0.018.5872.0/10	1	tube
9	0.018.5870.0/20	1	tube
10	0.011.4589.3/10	2	flexible hose
11	0.017.1005.0	1	gasket
13	2.6839.054.0	4	clamp Ø 20/25
14	0.017.1004.0	1	gasket
15	0.017.1003.0	1	gasket
16	0.019.2438.0/30	1	air duct
17	0.017.1001.0/10	1	gasket
18	0.017.1000.0/10	2	gasket
19	0.013.0425.0	2	tube
20	2.6851.019.0	2	clamp Ø 13/20
21	2.6851.001.0	2	clamp Ø 16/25
22	2.0112.009.2	4	screw m 6 p.1 x 25
24	2.0114.211.2	2	screw m 8 x 30
25	0.019.2439.2/20	1	air duct sx/lh/li
26	0.019.2440.2/20	1	air duct dx/rh/re
28	2.6070.004.0	1	plug 25
29	2.1312.004.3	2	washer 8,4x24x2
34	0.019.5517.4/20	1	control
35	0.013.4283.0	4	clip
36	2.0350.405.3	4	screw m 4.2 x 16
37	2.1310.001.3	4	washer 5.3 x 10
38	2.0112.213.2	1	screw m 8 p.1.25 x 35
39	2.1470.004.2	1	lock washer 8
40	0.019.8920.0	1	bracket
42	0.019.9001.0/10	2	grille
43	2.0350.604.2	4	screw m5.5X13
44	0.020.1261.4/10	2	air filter
45	0.021.7969.0	2	filter
46	04450845	16	brace
47	0.021.9597.0	1	gasket
48	0.021.9598.0	2	gasket

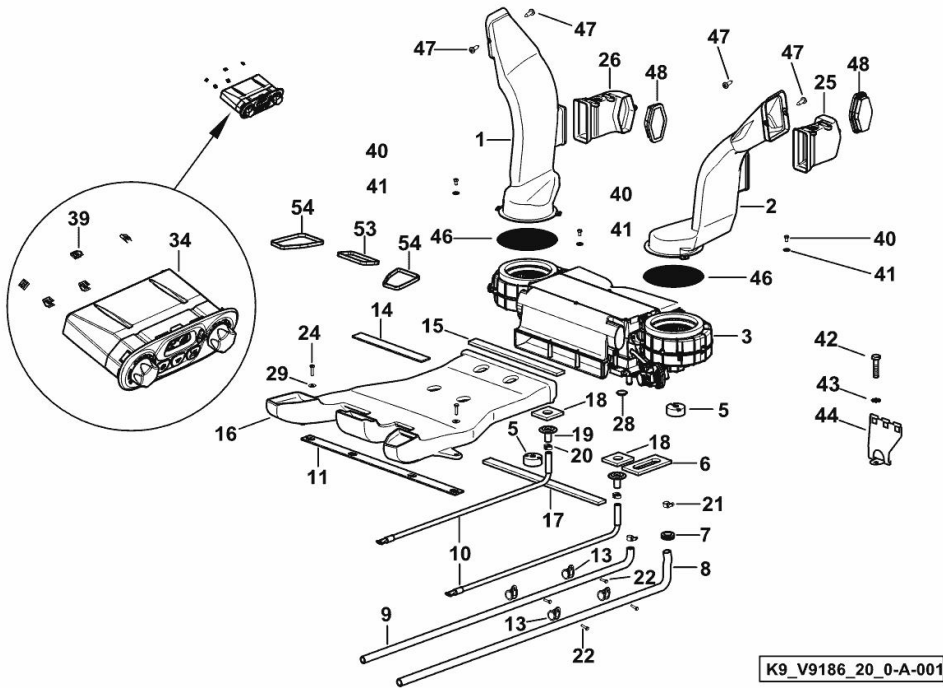
AUTOMATIC CLIMATE CONTROL SYSTEM

Fig.	P/n	QTY	Name
------	-----	-----	------

Notes:

[R6.230 T4i VRT ->WSXV890400LL50010] 50015 <-

1	0.019.2437.0/30	1	air duct dx/rh/re
2	0.019.2436.0/10	1	air duct sx/lh/li
3	0.019.5518.4/10	1	heating unit ☞ 0.019.5518.4/10
5	0.014.8200.0	2	block
6	0.017.0996.0/10	1	gasket
7	2.6569.047.0	1	rubber plug
8	0.018.5872.0/10	1	tube
9	0.018.5870.0/20	1	tube
10	0.011.4589.3/10	2	flexible hose
11	0.017.1005.0	1	gasket
13	2.6839.054.0	4	clamp Ø 20/25
14	0.017.1004.0	1	gasket
15	0.017.1003.0	1	gasket
16	0.019.2438.0/20	1	air duct
17	0.017.1001.0/10	1	gasket
18	0.017.1000.0/10	2	gasket
19	0.013.0425.0	2	tube
20	2.6851.019.0	2	clamp Ø 13/20
21	2.6851.001.0	2	clamp Ø 16/25
22	2.0112.009.2	4	screw m 6 p.1 x 25
24	2.0114.211.2	2	screw m 8 x 30
25	0.019.2439.2/10	1	air duct sx/lh/li (50015 <-)
25	0.019.2439.2/20	1	air duct sx/lh/li
26	0.019.2440.2/10	1	air duct dx/rh/re (50015 <-)
26	0.019.2440.2/20	1	air duct dx/rh/re
28	2.6070.004.0	1	plug 25
29	2.1312.004.3	2	washer 8,4x24x2
34	0.019.5438.4/30	1	control
39	0.013.4283.0	4	clip
40	2.0350.405.3	4	screw m 4.2 x 16
41	2.1310.001.3	4	washer 5.3 x 10
42	2.0112.213.2	1	screw m 8 p.1.25 x 35
43	2.1470.004.2	1	lock washer 8
44	0.019.8920.0	1	bracket
46	0.019.9001.0/10	2	grille
47	2.0350.604.2	4	screw m5.5X13
48	0.020.1261.4	2	air filter (50015 <-)
48	0.020.1261.4/10	2	air filter
53	0.021.9597.0	1	gasket
54	0.021.9598.0	2	gasket



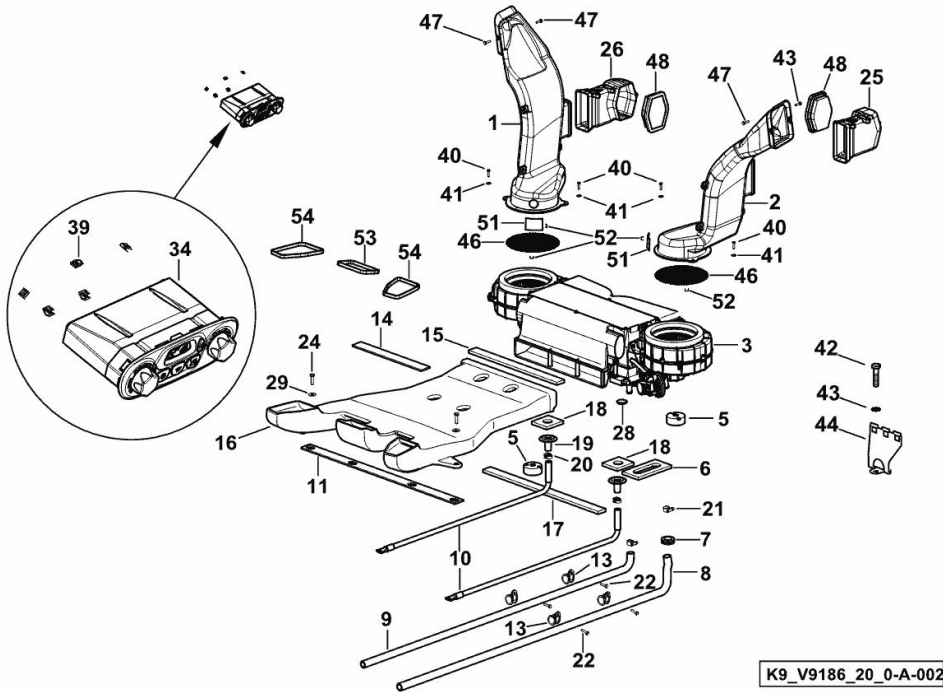
AUTOMATIC CLIMATE CONTROL SYSTEM

Fig.	P/n	QTY	Name
------	-----	-----	------

Notes:

[R6.230 T4i VRT ->WSXV890400LL50010]

1	0.019.2437.0/40	1	air duct dx/rh/re
2	0.019.2436.0/20	1	air duct sx/lh/li
3	0.019.5518.4/10	1	heating unit ☞ 0.019.5518.4/10
5	0.014.8200.0	2	block
6	0.017.0996.0/10	1	gasket
7	2.6569.047.0	1	rubber plug
8	0.018.5872.0/10	1	tube
9	0.018.5870.0/20	1	tube
10	0.011.4589.3/10	2	flexible hose
11	0.017.1005.0	1	gasket
13	2.6839.054.0	4	clamp Ø 20/25
14	0.017.1004.0	1	gasket
15	0.017.1003.0	1	gasket
16	0.019.2438.0/20	1	air duct
17	0.017.1001.0/10	1	gasket
18	0.017.1000.0/10	2	gasket
19	0.013.0425.0	2	tube
20	2.6851.019.0	2	clamp Ø 13/20
21	2.6851.001.0	2	clamp Ø 16/25
22	2.0112.009.2	4	screw m 6 p.1 x 25
24	2.0114.211.2	2	screw m 8 x 30
25	0.019.2439.2/20	1	air duct sx/lh/li
26	0.019.2440.2/20	1	air duct dx/rh/re
28	2.6070.004.0	1	plug 25
29	2.1312.004.3	2	washer 8,4x24x2
34	0.019.5438.4/30	1	control
39	0.013.4283.0	4	clip
40	2.0350.405.3	4	screw m 4.2 x 16
41	2.1310.001.3	4	washer 5.3 x 10
42	2.0112.213.2	1	screw m 8 p.1.25 x 35
43	2.1470.004.2	1	lock washer 8
44	0.019.8920.0	1	bracket
46	0.019.9001.0/10	2	grille
47	2.0350.604.2	4	screw m5.5X13
48	0.020.1261.4/10	2	air filter
51	0.021.7969.0	2	filter
52	04450845	16	brace
53	0.021.9597.0	1	gasket
54	0.021.9598.0	2	gasket



Buy Now



Our support email:

ebooklibonline@outlook.com