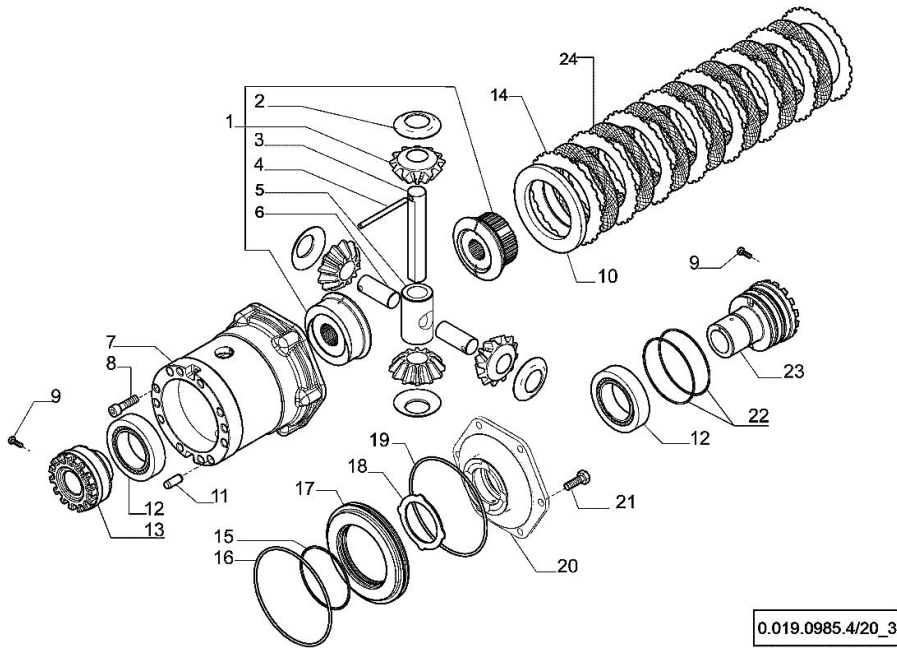


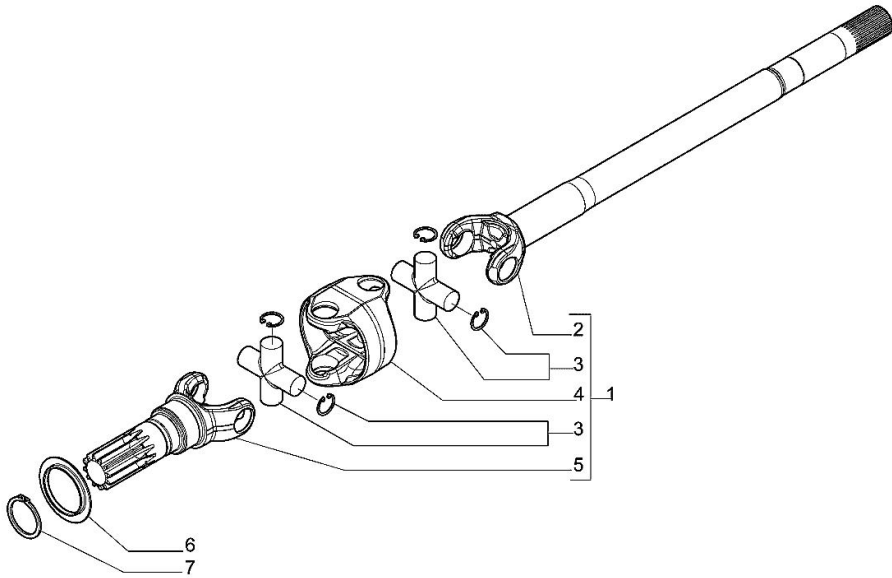
DIFFERENTIAL

Fig.	P/n	QTY	Name
1	0.900.0897.4	1	planet gear
2	0.900.0109.5	4	slewing ring
3	0.900.0109.6	1	pin
4	0.900.0109.7	3	pin Ø 6 x 86
5	0.900.0897.8	1	universal joint
6	0.900.0898.2	2	pin
7	0.900.0897.5	1	differential carrier
8	0.900.0088.0	10	screw m 12 x 35
9	0.900.0088.1	2	screw m 6 x 25
10	0.900.0090.0	1	disc
11	0.900.0088.3	2	pin Ø 12 x 28
12	0.900.0897.6	2	bearing
13	0.900.1203.3	1	ring nut
14	0.900.0087.7	8	disc
15	0.900.0088.7	1	oil seal
16	0.900.0088.8	1	oil seal
17	0.900.0088.9	1	piston
18	0.900.0089.0	1	disc
19	0.900.0089.1	1	oil seal
20	0.900.1153.8	1	spare parts kit
21	0.900.0089.3	6	screw m 10 x 35
22	0.900.0089.8	2	oil seal
23	0.900.0898.1	1	ring nut
24	0.900.0087.8	7	disc



DOUBLE COUPLING

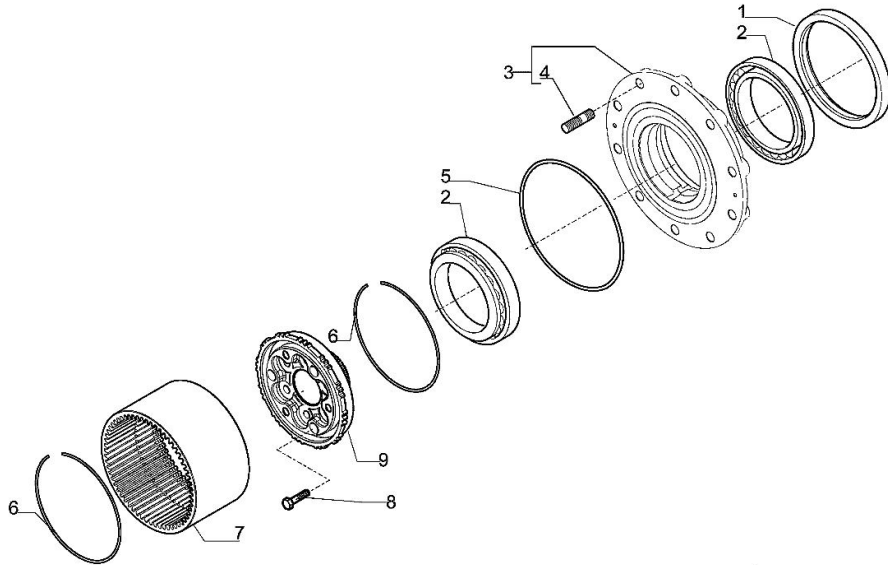
Fig.	P/n	QTY	Name
1	0.900.1203.4	2	half-shaft
2	0.900.1986.6	1	fork
3	0.900.1991.5	2	universal joint
4	0.900.1991.4	1	body
5	0.900.1986.7	1	fork
6	0.900.0898.5	2	small cover
7	0.900.0898.6	2	circlip



0.019.0985.4/20_4

WHEEL HUB

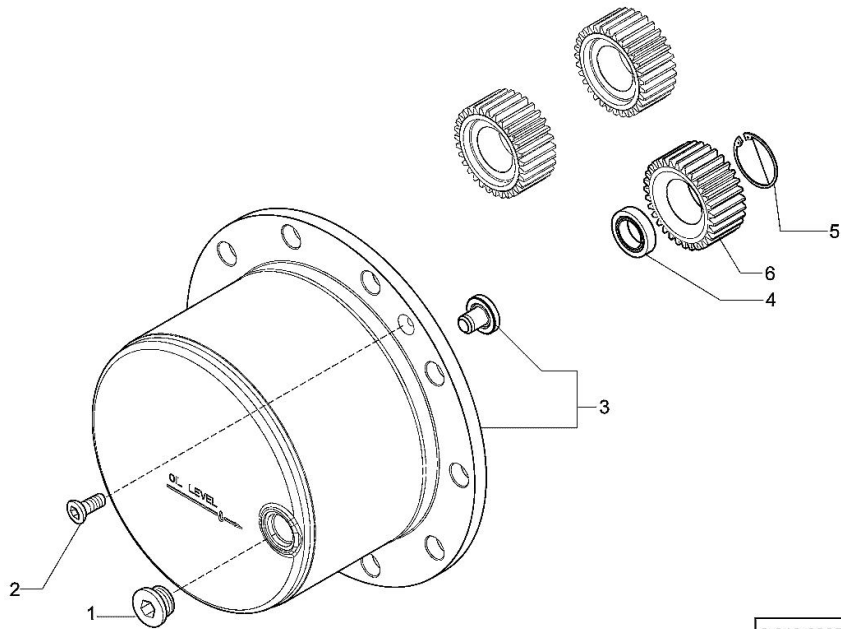
Fig.	P/n	QTY	Name
1	0.900.0115.6	2	circlip 165x195x16,5/18
2	0.900.1363.7	4	bearing
3	0.900.2062.3	2	wheel hub - KIT
4	0.900.2062.4	10	stud bolt
5	0.900.0104.1	2	ring
6	0.900.0104.2	4	ring
7	0.900.0898.8	2	crown wheel Z = 77
8	0.900.0091.8	12	screw m 12 x 45
9	0.900.0899.5	2	hub



0.019.0985.4/20_5

PLANETARY GEAR

Fig.	P/n	QTY	Name
1	0.900.0092.1	2	plug m 30 p.2
2	0.900.0092.0	4	screw m 8 p.1.25 x 20
3	0.900.0900.0	2	spider
4	0.900.0900.1	6	bearing
5	0.900.0900.2	6	circlip
6	0.900.0900.3	6	gear Z = 31



0.019.0985.4/20_6

DRIVEN FRONT AXLE

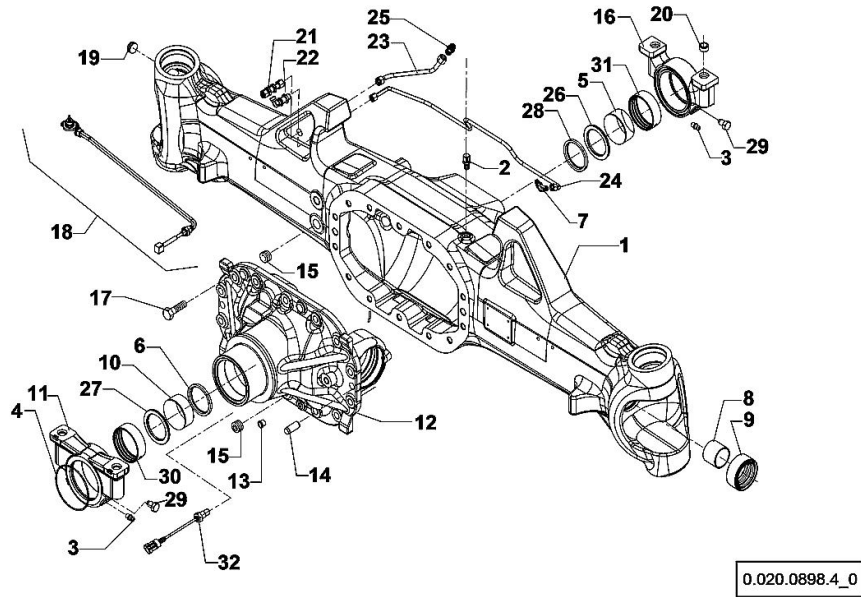
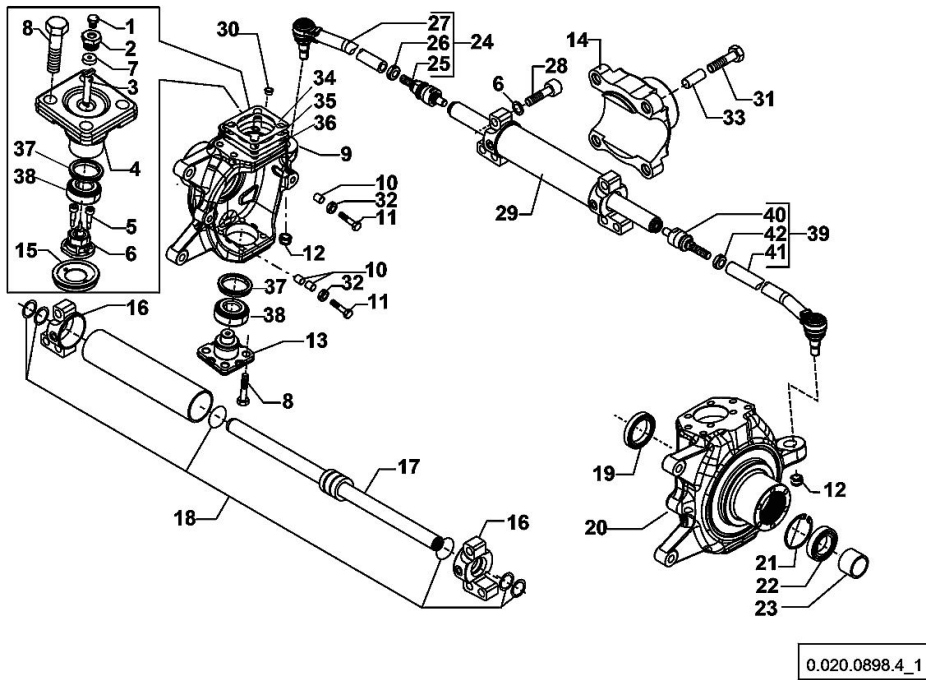


Fig.	P/n	QTY	Name
1	0.900.0892.9	1	front axle
2	0.900.0079.8	1	breather m 10 p.1
3	0.900.0094.2	2	grease gun
4	0.900.0893.0	1	oil seal
5	0.900.0703.7	1	bushing
6	0.900.0095.0	1	slewing ring
7	0.900.0107.0	1	pipe fitting
8	0.900.0745.8	2	bearing
9	0.900.0893.1	2	oil seal
10	0.900.1289.6	1	bushing
11	0.900.0893.2	1	support
12	0.900.1202.9	1	support
13	0.900.0893.4	1	plug D1
14	0.900.0081.0	2	pin Ø 15x45
15	0.900.0081.1	2	plug m 24 p.1.5
16	0.900.0893.5	1	support
17	0.900.0081.3	14	screw m14 x 40
18	0.900.2155.0	1	sensor - KIT
19	0.900.0081.6	1	plug m 26 p.1.5
20	0.900.0893.6	4	bush
21	0.900.0081.7	1	pipe fitting
22	0.900.2061.9	1	pipe fitting
23	0.900.0893.7	1	tube
24	0.900.0893.8	1	tube
25	0.900.0893.9	1	pipe fitting
26	0.900.0894.0	1	oil seal
27	0.900.0095.3	1	circlip
28	0.900.0894.1	1	slewing ring
29	0.900.0095.6	2	screw
30	0.900.0095.2	1	bushing
31	0.900.0894.2	1	bushing
32	0.900.1420.3	1	speed sensor

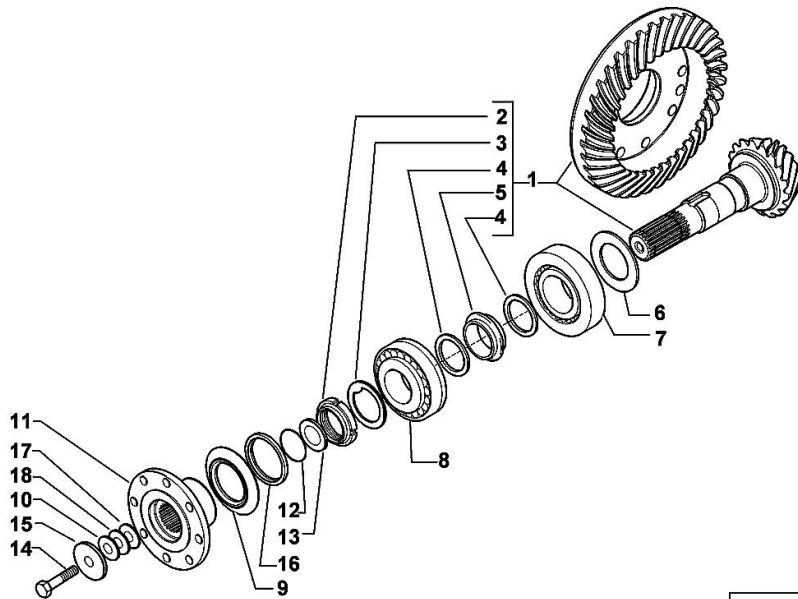
STEERING CYLINDER

Fig.	P/n	QTY	Name
1	0.900.0894.3	1	plug
2	0.900.0082.4	2	screw m 20 p.1.5
3	0.900.0502.3	1	shaft
4	0.900.0894.4	1	pin
5	0.900.0082.7	2	screw m 4 x 10
6	0.900.0896.6	6	washer
7	0.900.0961.2	1	small block
8	0.900.0095.9	16	screw
9	0.900.2062.0	1	fork sx/lh/li
10	0.900.0894.7	6	bush
11	0.900.0097.4	4	screw m16x130
12	0.900.0096.2	2	nut M24x1.5
13	0.900.0894.9	3	pin
14	0.900.0895.0	1	support
15	0.900.0865.2	1	cover
16	0.900.1134.5	2	rod-head
17	0.900.1134.6	1	stem
18	0.900.0950.2	1	gasket set
19	0.900.0895.2	2	oil seal
20	0.900.2062.1	1	fork dx/rh/re
21	0.900.0545.3	2	ring
22	0.900.0895.4	2	bearing
23	0.900.0895.5	2	spacer
24	0.900.0895.6	1	rod sx/lh/li
25	0.900.0084.5	1	ball joint
26	0.900.0084.6	1	nut m 24x10
27	0.900.0895.7	1	rod
28	0.900.0553.3	6	screw
29	0.900.0895.1	1	jack
30	0.900.0085.0	8	plug
31	0.900.0895.9	4	screw m 16 x 20
32	0.900.0537.4	4	nut
33	0.900.0093.2	4	bush 20 x 17 x 12
34	0.900.0896.0	2	shim
35	0.900.0896.1	2	shim
36	0.900.0896.2	2	shim
37	0.900.0896.3	4	oil seal
38	0.900.0896.4	4	bearing
39	0.900.2062.2	1	rod dx/rh/re
40	0.900.0084.5	1	ball joint
41	0.900.0896.7	1	rod
42	0.900.0084.6	1	nut m 24x10



BEVEL WHEEL GEAR

Fig.	P/n	QTY	Name
1	0.900.0896.8	1	bevel drive Z = 16/44
2	0.900.0085.5	1	ring nut m 40 p.1.5
3	0.900.0085.6	1	washer
4	0.900.0085.7	2	washer
5	0.900.0108.1	1	spacer
6	0.900.0099.3		shim 2.50
6	0.900.0099.4		shim 2.60
6	0.900.0099.5		shim 2.70
6	0.900.0099.6		shim 2.80
6	0.900.0099.7		shim 2.90
6	0.900.0099.8		shim 3.00
6	0.900.0099.9		shim 3.10
6	0.900.0100.0		shim 3.20
6	0.900.0100.1		shim 3.30
6	0.900.0100.2		shim 3.40
7	0.900.0099.1	1	bearing
8	0.900.0086.9	1	bearing
9	0.900.0099.0	1	cover
10	0.900.0896.9	1	shim
11	0.900.0897.0	1	flange
12	0.900.0554.6	1	ring
13	0.900.1169.6	1	disc
14	0.900.0098.8	1	screw m 12 x 25
15	0.900.0098.6	1	washer
16	0.900.0895.2	1	oil seal
17	0.900.0897.2	1	shim
18	0.900.0897.3	1	shim



0.020.0898.4_2

Buy Now



Our support email:

ebooklibonline@outlook.com