

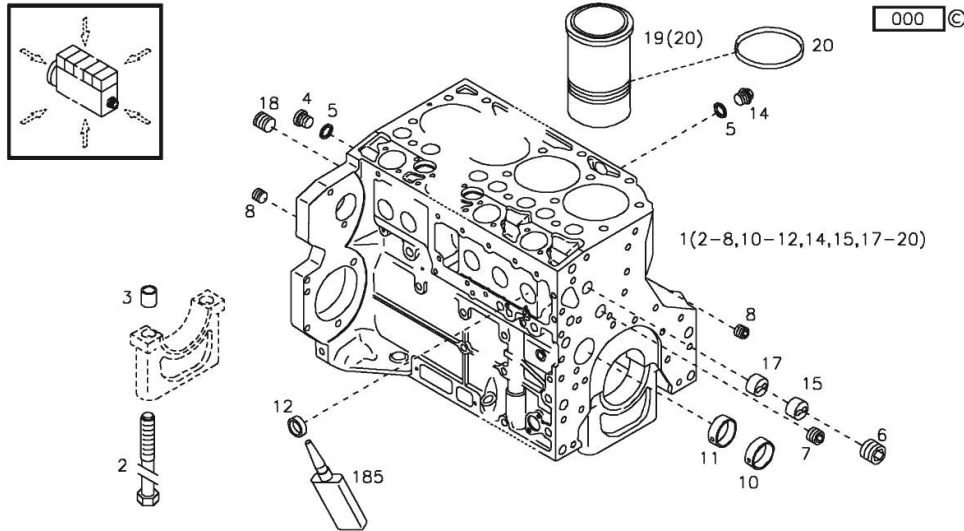
Section: ENGINE
CRANKCASE

Fig.	P/n	QTY	Name
------	-----	-----	------

Notes:
 [R7.200]

Engine serial number:

850279 850280 850281 850282 850283 850284 875562 875563 875564 875565 875566 875567 875568 875569 875570
 875571 875572 889285 889286 889287 889288 911940 911941 911942 911943 911944 911945 911946 911947 911948
 911949 911950 911951 911952 911953 911954 920320 922853 922854 922855 922856 922857 922858 922859 922860
 932114 932115 932116 932117 932118 932119 932120 932121 932122 932123 935345 935346 935347 935348 935349
 945917 945918 945919 945920 945921 945922 945923 945924 945925 945926 946370 946371 946372 946373 946374
 946375 946376 946377 946378 946379 950469 950470 950471 950472 950473 950474 950475 950476 950477 950478
 974678 974679 974680 974681 974682 974683 974684 974685 974686 974687



1	0428287	1	crankcase WITH ITEM (2-8,10-12,14,15,17-20)
2	04251254	14	screw
3	04200078	14	bushing
4	01110423	2	screw
5	01118693	4	gasket 14x20
6	01182033	1	screw
7	01182032	1	screw
8	01182031	2	screw
10	04200021	6	bushing
11	04200022	1	bushing
12	01179635	10	plug
14	01100940	2	screw
15	04202518	1	sleeve
17	04202517	1	sleeve
18	01181155	1	plug
19	04282014	6	cylinder liner WITH ITEM (20) 032 (021-025,031,141)
20	01181178	12	special oil seal
185	01016127	1	sealing compound ml. 50

Section: ENGINE

PISTON COOL.NOZZLE

Fig.	P/n	QTY	Name
------	-----	-----	------

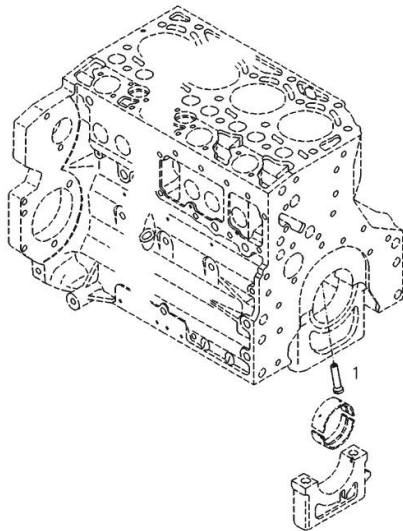
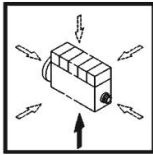
Notes:
[R7.200]

Engine serial number:

911940 911941 911942 911943 911944 911945 911946 911947 911948 911949 911950 911951 911952 911953 911954
 920320 922853 922854 922855 922856 922857 922858 922859 922860 932114 932115 932116 932117 932118 932119
 932120 932121 932122 932123 935345 935346 935347 935348 935349 945917 945918 945919 945920 945921 945922
 945923 945924 945925 945926 946370 946371 946372 946373 946374 946375 946376 946377 946378 946379 950469
 950470 950471 950472 950473 950474 950475 950476 950477 950478 974678 974679 974680 974681 974682 974683
 974684 974685 974686 974687

1	04203930	6	sprayer nozzle
---	----------	---	----------------

001 ©



0507 0470

BLEEDING TUBE

Fig.	P/n	QTY	Name
------	-----	-----	------

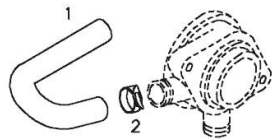
Notes:
[R7.200]

Engine serial number:

911940 911941 911942 911943 911944 911945 911946 911947 911948 911949 911950 911951 911952 911953 911954
 920320 922853 922854 922855 922856 922857 922858 922859 922860 932114 932115 932116 932117 932118 932119
 932120 932121 932122 932123 935345 935346 935347 935348 935349 945917 945918 945919 945920 945921 945922
 945923 945924 945925 945926 946370 946371 946372 946373 946374 946375 946376 946377 946378 946379 950469
 950470 950471 950472 950473 950474 950475 950476 950477 950478 974678 974679 974680 974681 974682 974683
 974684 974685 974686 974687

000 ©

1	04198572	1	tube
2	01178750	1	clamp



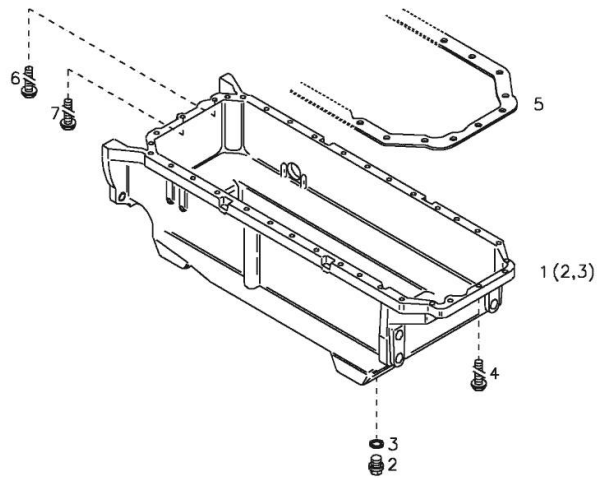
OIL PAN

Fig.	P/n	QTY	Name
------	-----	-----	------

Notes:
[R7.200]

Engine serial number:

850279 850280 850281 850282 850283 850284 850284 875562 875563 875564 875565 875566 875567 875568 875569 875570
875571 875572 889285 889286 889287 889288 911940 911941 911942 911943 911944 911945 911946 911947 911948
911949 911950 911951 911952 911953 911954 920320 922853 922854 922855 922856 922857 922858 922859 922860
932114 932115 932116 932117 932118 932119 932120 932121 932122 932123 935345 935346 935347 935348 935349



000 ©

1	04253996	1	oil sump WITH ITEM (2,3)
2	01123690	1	screw
3	01118718	1	ring 18 x 24
4	01143362	27	screw
5	04201000	1	gasket
6	01143370	6	screw
7	01144463	1	screw
243	01016103	1	gasket



OIL PAN

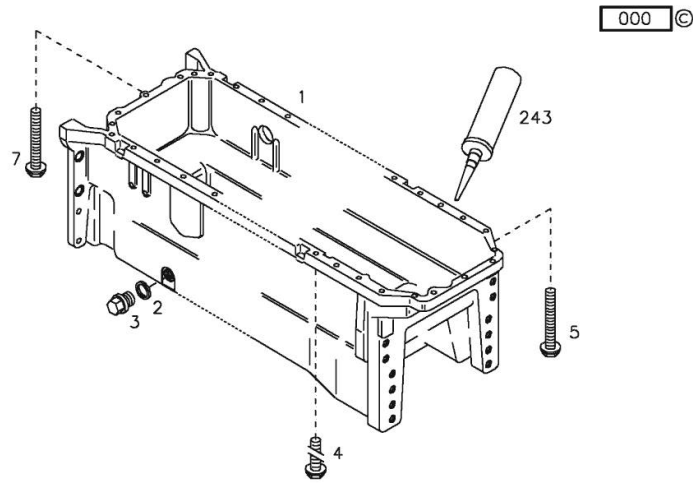
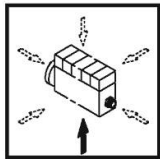
Fig.	P/n	QTY	Name
------	-----	-----	------

Notes:
[R7.200]

Engine serial number:

945917 945918 945919 945920 945921 945922 945923 945924 945925 945926 946370 946371 946372 946373 946374
946375 946376 946377 946378 946379 950469 950470 950471 950472 950473 950474 950475 950476 950477 950478
974678 974679 974680 974681 974682 974683 974684 974685 974686 974687

1	04284012	1	oil sump WITH ITEM (2,3)
2	01118718	1	ring 18 x 24
3	01133631	1	plug
4	01143362	27	screw
5	01143370	6	screw
7	01144463	1	screw
243	01016103	1	gasket



(2,3)

FASTENINGS

Fig.	P/n	QTY	Name
------	-----	-----	------

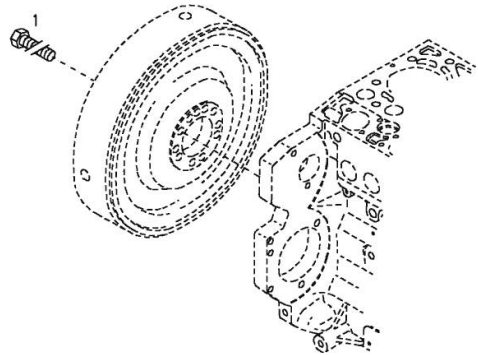
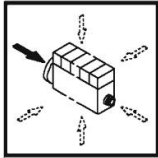
Notes:
[R7.200]

Engine serial number:

850279 850280 850281 850282 850283 850284 875562 875563 875564 875565 875566 875567 875568 875569 875570
 875571 875572 889285 889286 889287 889288 911940 911941 911942 911943 911944 911945 911946 911947 911948
 911949 911950 911951 911952 911953 911954 920320 922853 922854 922855 922856 922857 922858 922859 922860
 932114 932115 932116 932117 932118 932119 932120 932121 932122 932123 935345 935346 935347 935348 935349
 945917 945918 945919 945920 945921 945922 945923 945924 945925 945926 946370 946371 946372 946373 946374
 946375 946376 946377 946378 946379 950469 950470 950471 950472 950473 950474 950475 950476 950477 950478
 974678 974679 974680 974681 974682 974683 974684 974685 974686 974687

001 ©

1	04204128	10	screw m 10 p.1x35 M10X1X35
---	----------	----	-------------------------------



FLYWHEEL

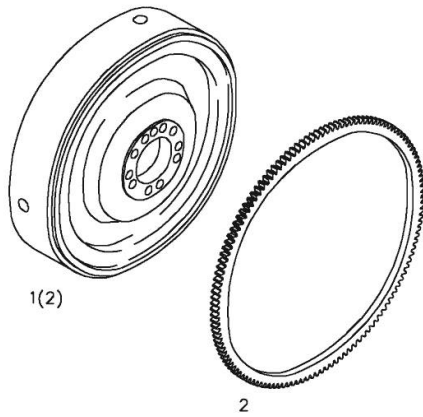
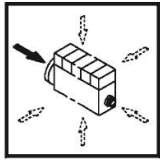
Fig.	P/n	QTY	Name
------	-----	-----	------

Notes:
[R7.200]

Engine serial number:

850279 850280 850281 850282 850283 850284 875562 875563 875564 875565 875566 875567 875568 875569 875570
 875571 875572 889285 889286 889287 889288 911940 911941 911942 911943 911944 911945 911946 911947 911948
 911949 911950 911951 911952 911953 911954 920320 922853 922854 922855 922856 922857 922858 922859 922860
 932114 932115 932116 932117 932118 932119 932120 932121 932122 932123 935345 935346 935347 935348 935349
 945917 945918 945919 945920 945921 945922 945923 945924 945925 945926 946370 946371 946372 946373 946374
 946375 946376 946377 946378 946379 950469 950470 950471 950472 950473 950474 950475 950476 950477 950478
 974678 974679 974680 974681 974682 974683 974684 974685 974686 974687

001 ©



1	04208193	1	flywheel WITH ITEM (2)
2	02131081	1	crown wheel

Buy Now



Our support email:

ebooklibonline@outlook.com